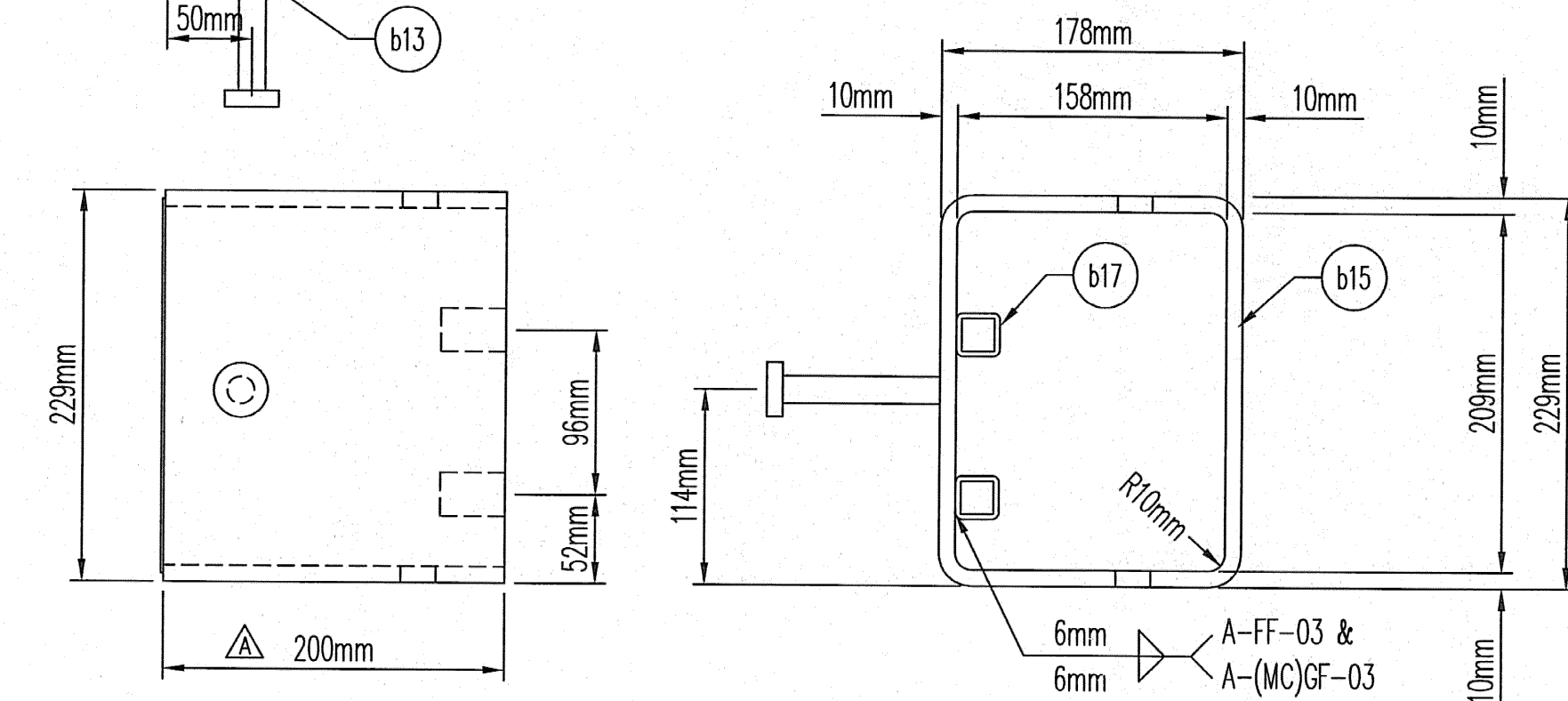


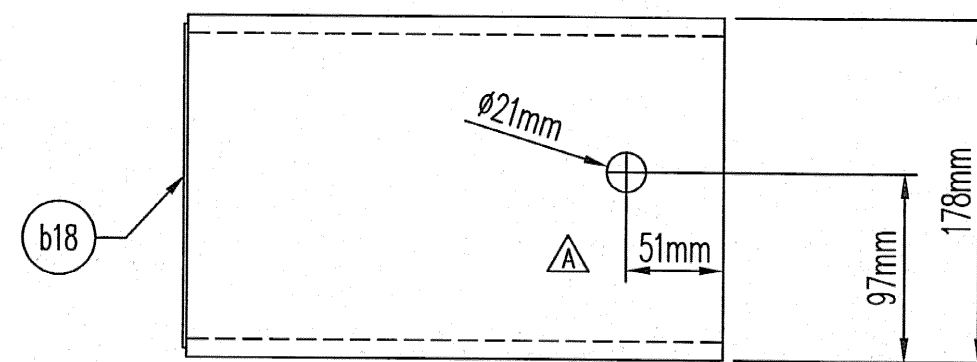
ITEM	DESCRIPTION	QTY.
b13	16mmØ X 102mm STUD ANCHOR	36
b15	10mm THICK SUPPORT BOX TUBE	36
b17	25mm SQUARE X 38mm LONG TUBING	72
b18	SUPPORT BOX END CAP	36

FOR SHOP USE ONLY



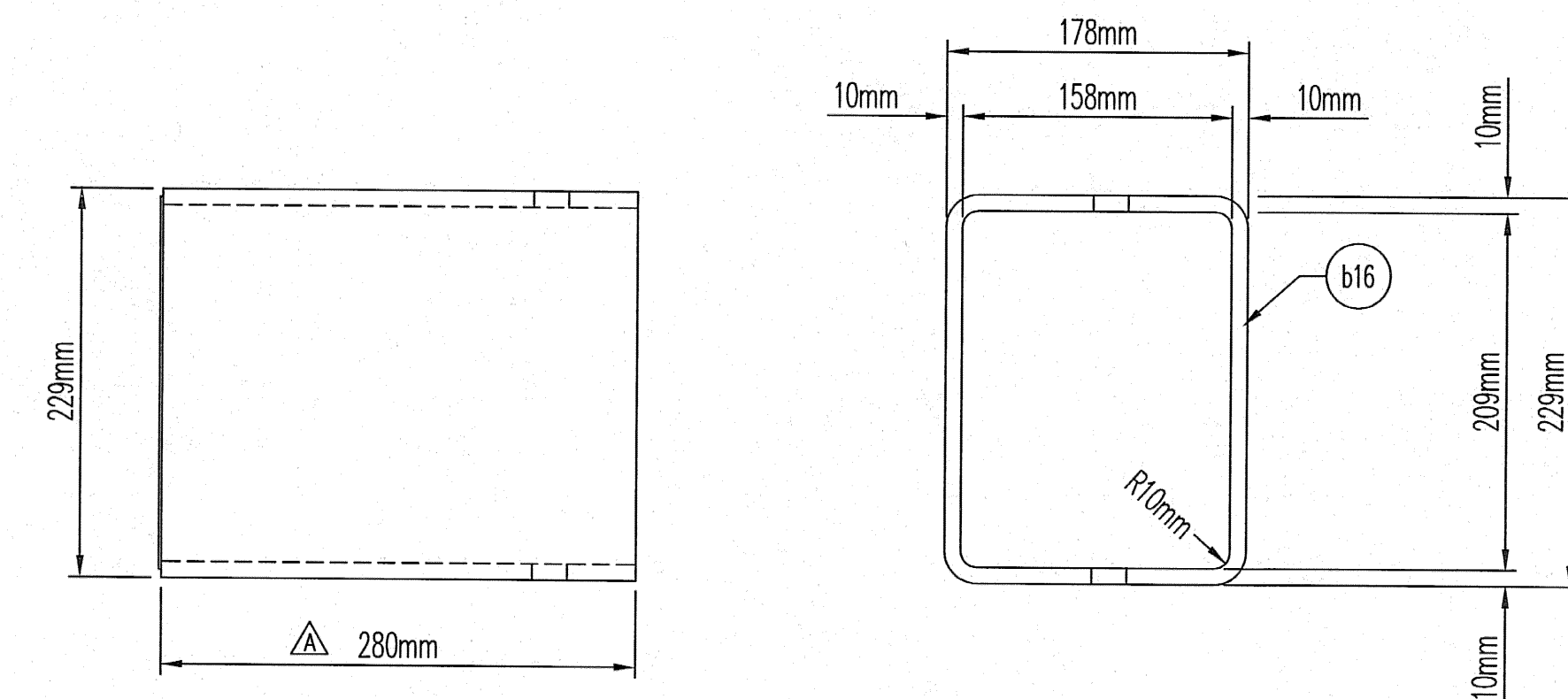
"D-400" SUPPORT BOX DETAILS  
(SHORT LENGTH)

( 36 ) REQUIRED  
PLAN VIEW NO. 2



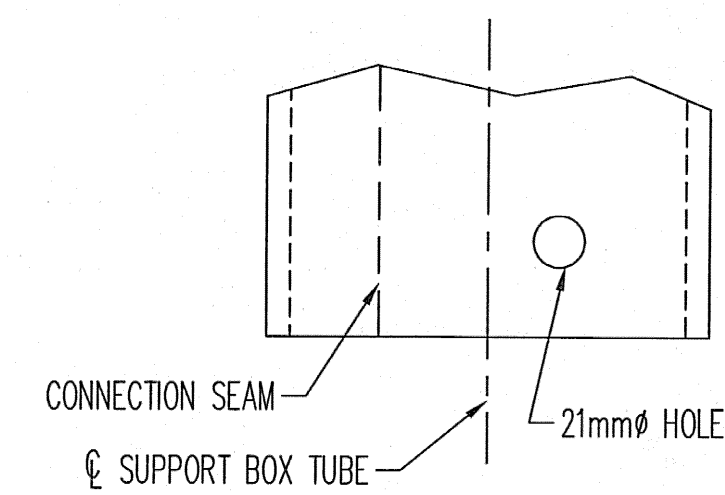
ITEM	DESCRIPTION	QTY.
b16	10mm THICK SUPPORT BOX TUBE	48
b18	SUPPORT BOX END CAP	48

FOR SHOP USE ONLY



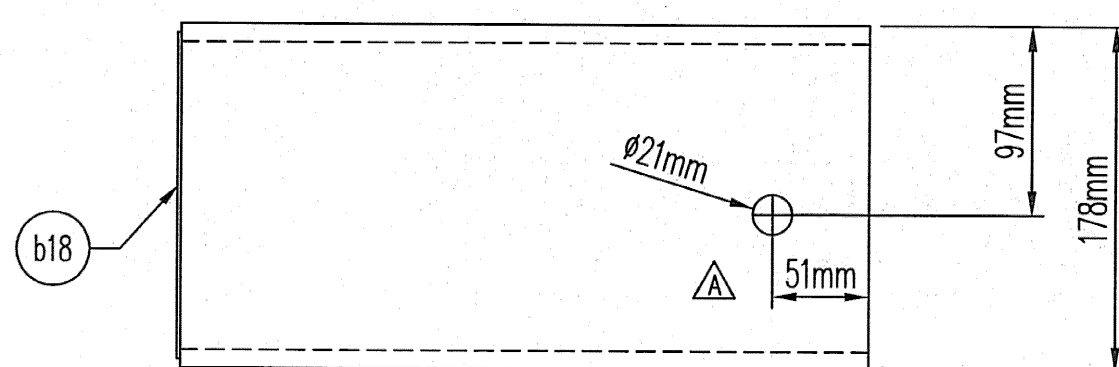
"D-400" INNER SUPPORT BOX DETAILS

( 48 ) REQUIRED  
PLAN VIEW NO. 2



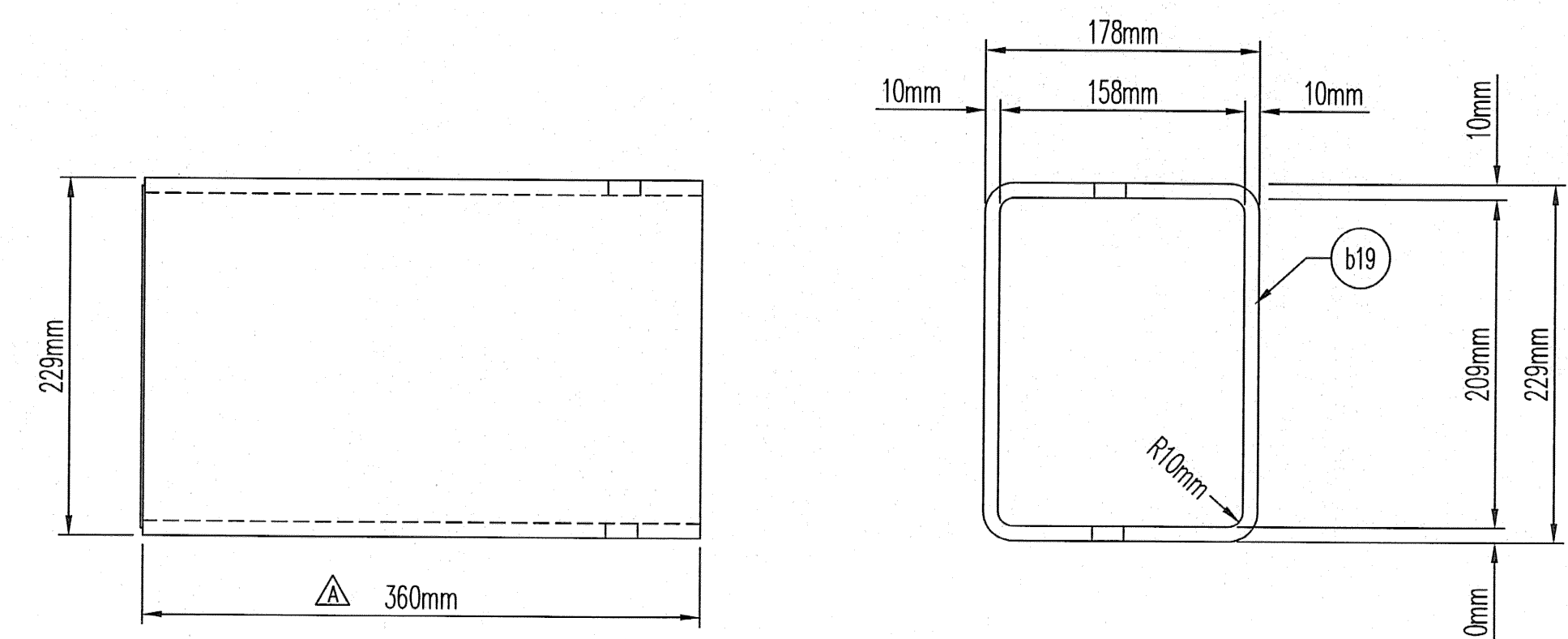
SHOP NOTE:

WHEN DRILLING 21mmØ HOLES INTO SUPPORT BOX TUBE, BE SURE THE SEAM OF THE TUBE IS ON THE OPPOSITE SIDE IN RELATIONSHIP TO THE Ø OF BOX.



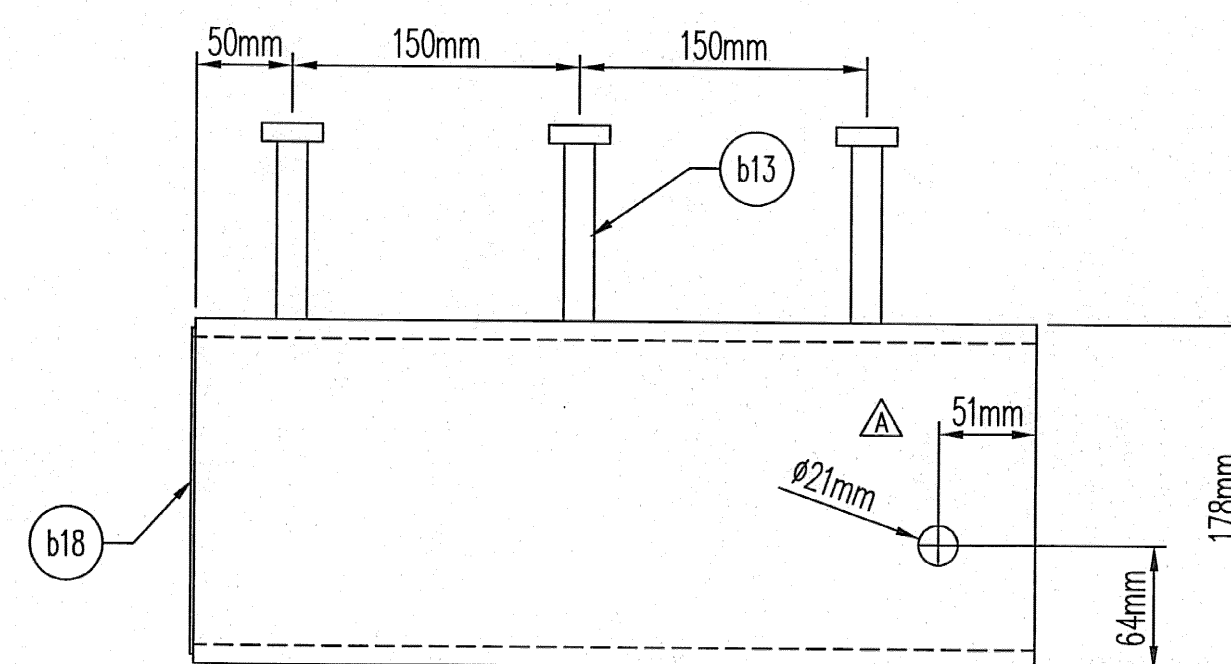
ITEM	DESCRIPTION	QTY.
b19	10mm THICK SUPPORT BOX TUBE	48
b18	SUPPORT BOX END CAP	48

FOR SHOP USE ONLY



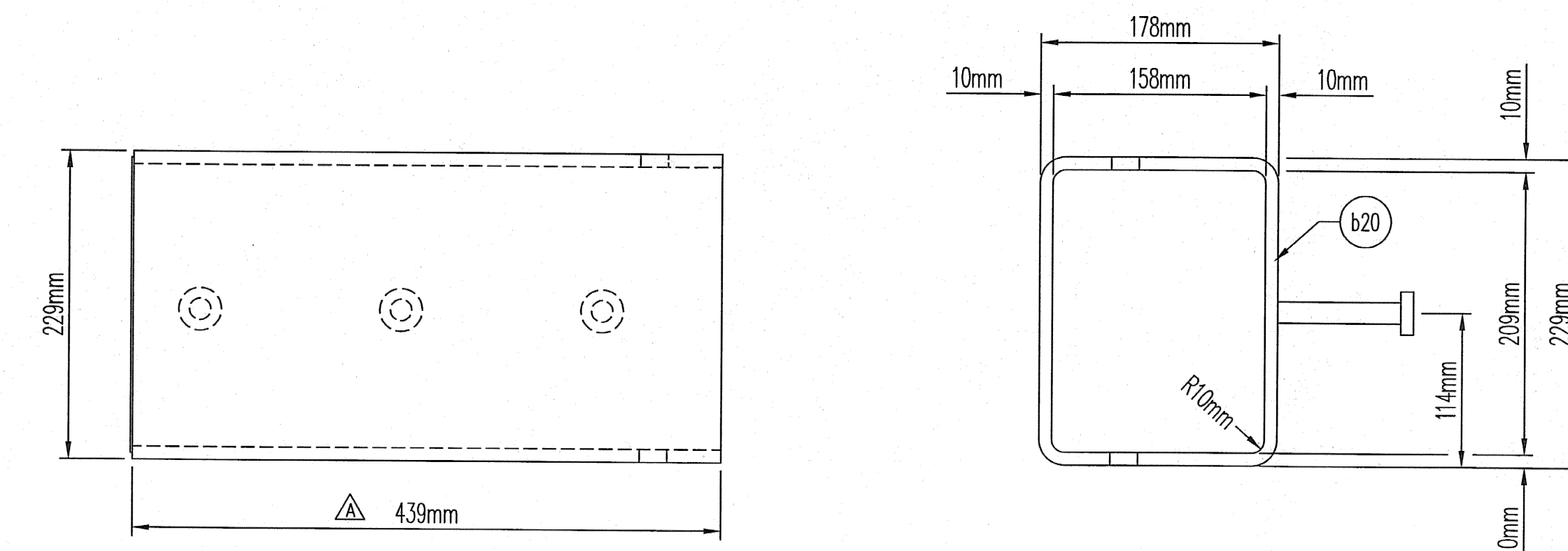
"D-400" INNER SUPPORT BOX DETAILS

( 48 ) REQUIRED  
PLAN VIEW NO. 2



ITEM	DESCRIPTION	QTY.
b13	16mmØ X 102mm STUD ANCHOR	108
b20	10mm THICK SUPPORT BOX TUBE	36
b18	SUPPORT BOX END CAP	36

FOR SHOP USE ONLY



"D-400" SUPPORT BOX DETAILS  
(LONG LENGTH)

( 36 ) REQUIRED  
PLAN VIEW NO. 2

SHOP DRAWING REVIEW			
<input type="checkbox"/>	REVIEWED AS REQUIRED BY THE CONSTRUCTION CONTRACT DOCUMENTS AND APPROVED, BUT ONLY FOR COMPLIANCE TO THE DESIGN CONCEPT OF THE WORK, AND SUBJECT TO FURTHER LIMITATIONS AND REQUIREMENTS CONTAINED IN THE CONSTRUCTION CONTRACT DOCUMENTS.		
<input type="checkbox"/>	REJECTED	<input type="checkbox"/>	REVISE AND RESUBMIT
<input checked="" type="checkbox"/>	FURNISH AS CORRECTED		
CORRECTIONS OR COMMENTS MADE ON THE SHOP DRAWINGS DURING THIS REVIEW DO NOT RELIEVE CONTRACTOR FROM COMPLIANCE WITH REQUIREMENTS OF THE DRAWINGS AND SPECIFICATIONS. THIS CHECK IS ONLY FOR REVIEW OF GENERAL COMPLIANCE WITH THE DESIGN CONCEPT OF THE PROJECT AND GENERAL COMPLIANCE WITH THE INFORMATION GIVEN IN THE CONTRACT DOCUMENTS. THE CONTRACTOR IS RESPONSIBLE FOR CORRECTING AND CORRELATING ALL QUANTITIES AND DIMENSIONS, SELECTING FABRICATION PROCESSES AND TECHNIQUES OF CONSTRUCTION, COORDINATING HIS WORK WITH THAT OF ALL OTHER TRADES, AND PERFORMING HIS WORK IN A SAFE AND SATISFACTORY MANNER.			
Vanasse Hangen Brustlin, Inc. Engineers, Planners, and Scientists Six Bedford Farms, Kilton Rd. Bedford, NH 03110 603 844 0888		Job Number: 50911 Reviewed By: SAH Date: 6/1/05	

300 E. CHERRY STREET  
NORTH BALTIMORE, OHIO 45872  
419.257.3561  
FAX: 419.257.0332  
4201 NOREX DRIVE  
CHASKA, MINNESOTA 55318  
952.368.3000  
FAX: 952.448.7000  
DSBROWN.COM

REV.	DESCRIPTION	DATE	DET.	CKD.
Δ	MODIFIED ITEMS IN TITLE BLOCK	04/02/06	RES	JLW
Δ	MODIFIED SUPPORT BOX LENGTHS	11/07/05	RES	JLW

ITEM	QUANTITY
LOCATION — VT 78 OVER MISSISQUOI BAY	
BRIDGE — 2	
PROJECT NO. — BR 036-1 (1)	
TOWN — ALBURG AND SWANTON	
P.O. NO. — P078559 MIS	
SUPERVISOR — MARK KACZINSKI	
CUSTOMER — CIANBRO CORPORATION	

SCALE:	DRAWN BY:	CHECKED BY:	DATE:	BRIDGE SHEET:
N.T.S.	RES	JLW	03-21-05	10 OF 15
PROJECT NUMBER:	PRODUCT CODE:	RELEASE:	SHEET:	
12244	1021	1	10	