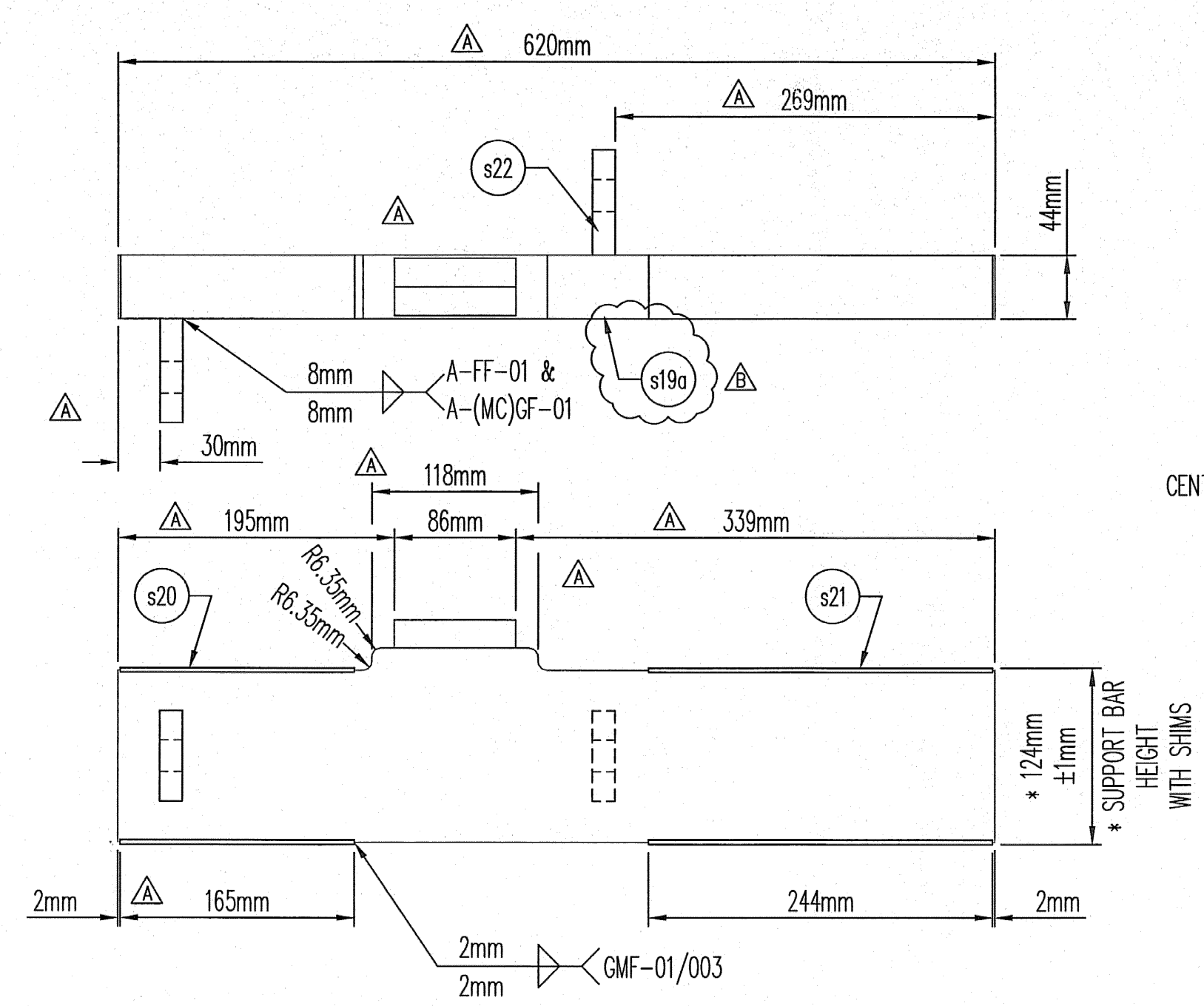
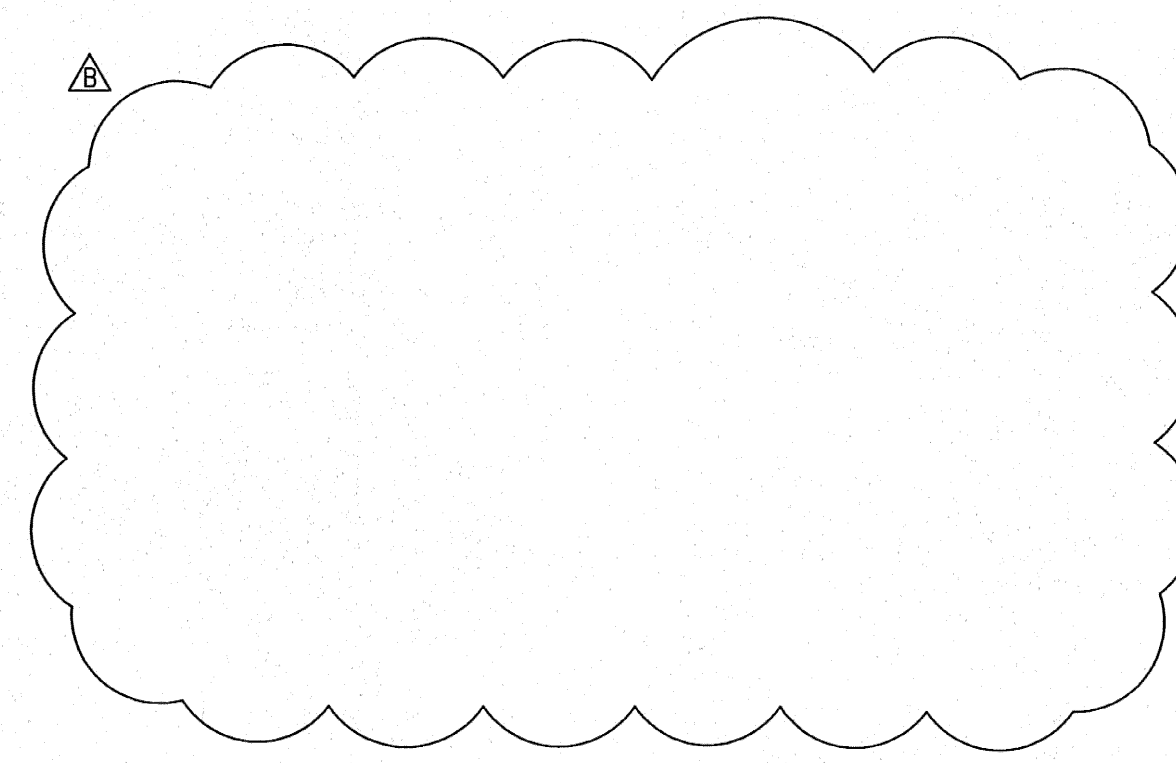
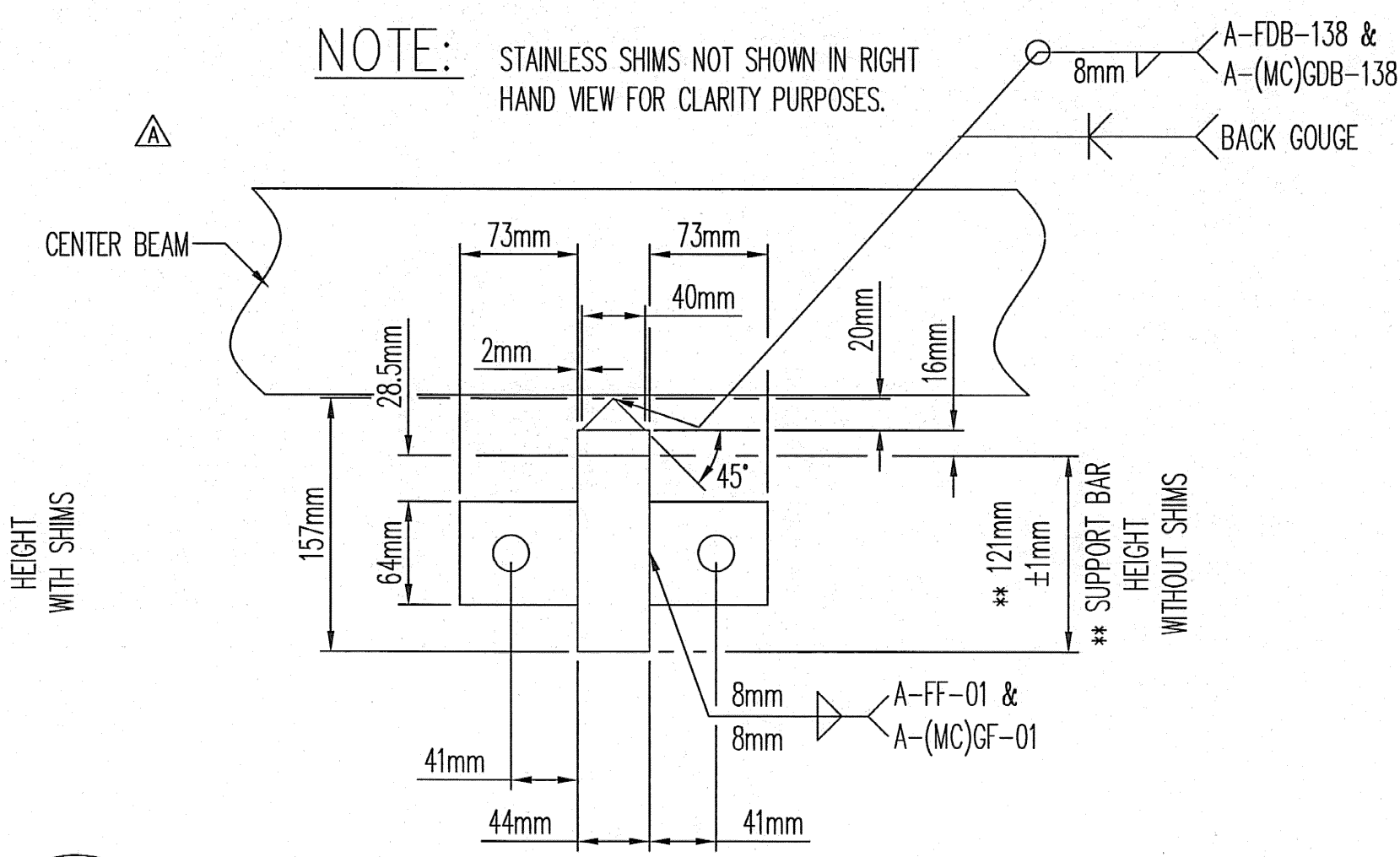


ITEM NO. s22  
( 96 ) REQ'D.  
"D-240" SPRING STOP DETAIL



ITEM	DESCRIPTION	QUAN.
s19a	44mm X 157mm X 620mm BAR	48
s20	16GA. X 60mm X 165mm S.S. SHIM	96
s21	16GA. X 60mm X 244mm S.S. SHIM	96
s22	16mm X 64mm X 73mm FLAT BAR	96

NOTE: STAINLESS SHIMS NOT SHOWN IN RIGHT HAND VIEW FOR CLARITY PURPOSES.



"D-240" SUPPORT BAR DETAIL

**SHOP DRAWING REVIEW**

REVIEWED AS REQUIRED BY THE CONSTRUCTION CONTRACT DOCUMENTS AND APPROVED, BUT ONLY FOR CONFORMANCE TO THE DESIGN CONCEPT OF THE WORK, AND SUBJECT TO FURTHER LIMITATIONS AND REQUIREMENTS CONTAINED IN THE CONSTRUCTION CONTRACT DOCUMENTS.

REJECTED  REVISE AND RESUBMIT  FURNISH AS CORRECTED

CORRECTIONS OR COMMENTS MADE ON THE SHOP DRAWINGS DURING THIS REVIEW DO NOT RELIEVE CONTRACTOR FROM COMPLIANCE WITH REQUIREMENTS OF THE DRAWINGS AND SPECIFICATIONS. THIS CHECK IS ONLY FOR REVIEW OF GENERAL CONFORMANCE WITH THE DESIGN CONCEPT OF THE PROJECT AND GENERAL COMPLIANCE WITH THE INFORMATION GIVEN IN THE CONTRACT DOCUMENTS. THE CONTRACTOR IS RESPONSIBLE FOR CORRECTING AND CORRELATING ALL QUANTITIES AND DIMENSIONS; SELECTING FABRICATION PROCESSES AND TECHNIQUES OF CONSTRUCTION; COORDINATING HIS WORK WITH THAT OF ALL OTHER TRADES; AND PERFORMING HIS WORK IN A SAFE AND SATISFACTORY MANNER.

**VHB** Van Ness Flanagan Brunelli, Inc.  
Engineers, Planners, and Scientists  
Six Bedford Farms, Milford Rd.  
Bedford, NH 03110 603 644 0988

Job Number: 58911  
Reviewed By: SAH  
Date: 6/1/06

REV.	DESCRIPTION	DATE	DET.	CKD.	QUANTITY
△	REMOVED SUPPORT BAR & RIDER BAR DETAILS; MODIFIED ITEMS IN SUPPORT BAR DETAIL & TITLE BLOCK	04/02/06	RES	JLW	
△	MODIFIED SUPPORT BAR DETAILS	10/25/05	RES	JLW	

LOCATION — VT 78 OVER MISSISQUOI BAY	ITEM	QUANTITY
BRIDGE — 2	—	—
PROJECT NO. — BRP 036-1 (1)	—	—
TOWN — ALBURG AND SWANTON	—	—
P.O. NO. — P078559 MIS	—	—
SUPERVISOR — MARK KACZINSKI	—	—
CUSTOMER — CIANBRO CORPORATION	—	—

DESCRIPTION: "D-240" SUPPORT BAR DETAILS COUNTIES OF GRAND ISLE AND FRANKLIN, VERMONT	SCALE: N.T.S.	DRAWN BY: RES	CHECKED BY: JLW	DATE: 03-21-05	REVISED SHEET: 9 OF 15
PROJECT NUMBER: 12244	PRODUCT CODE: 1021	RELEASE: 1	SHEET: 9		

**D.S. BROWN**

300 E. CHERRY STREET  
NORTH BALTIMORE, OHIO 45872  
419.257.3561  
FAX: 419.257.0332

4201 NOREX DRIVE  
CHASKA, MINNESOTA 55318  
952.368.3000  
FAX: 952.448.7000  
DSBROWN.COM