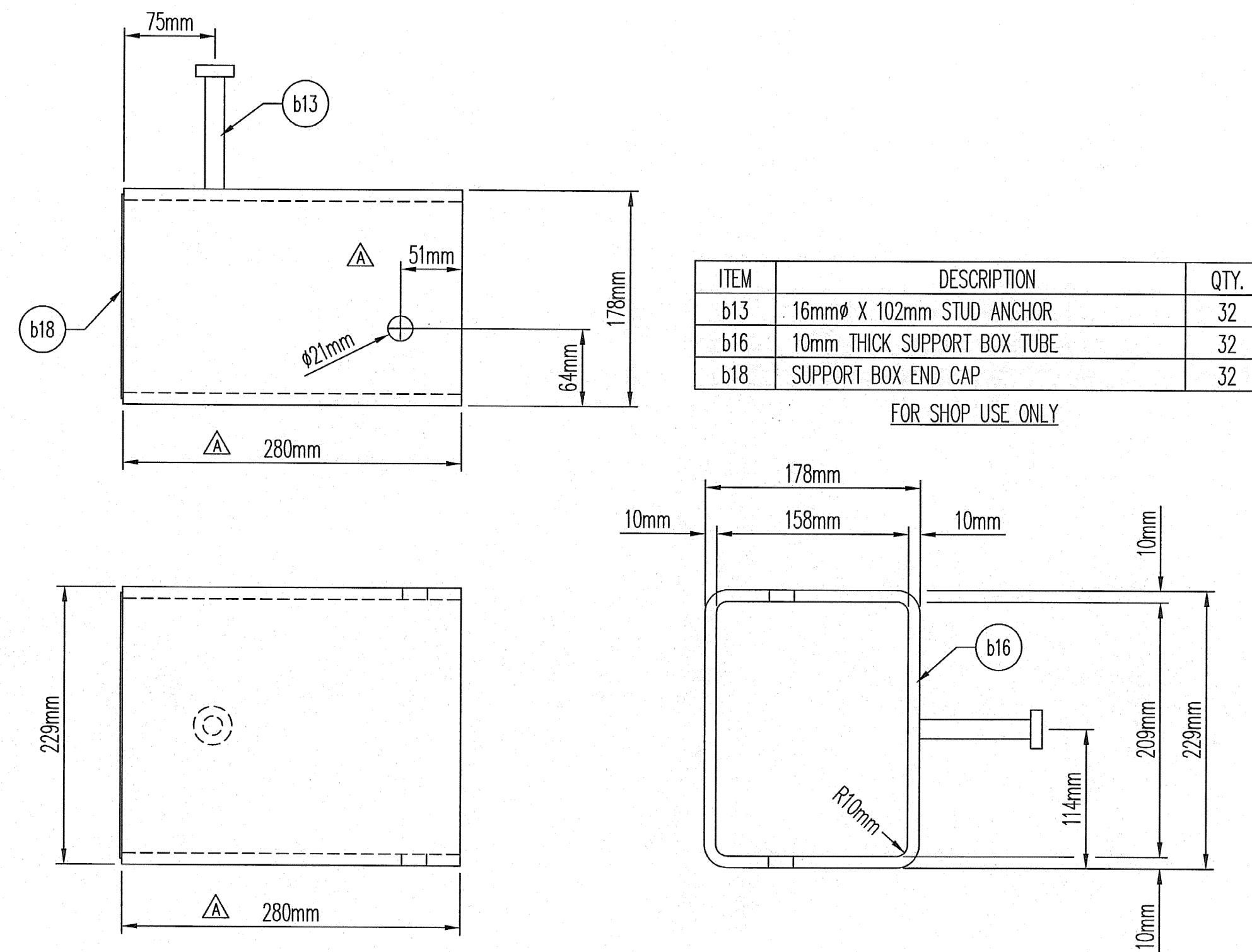


ITEM	DESCRIPTION	QTY.
b13	16mm $\phi$ X 102mm STUD ANCHOR	32
b15	10mm THICK SUPPORT BOX TUBE	32
b17	25mm SQUARE X 38mm LONG TUBING	64
b18	SUPPORT BOX END CAP	32

FOR SHOP USE ONLY

"D-240" SUPPORT BOX DETAIL  
(SHORT LENGTH)

( 32 ) REQUIRED  
PLAN VIEW NO. 1

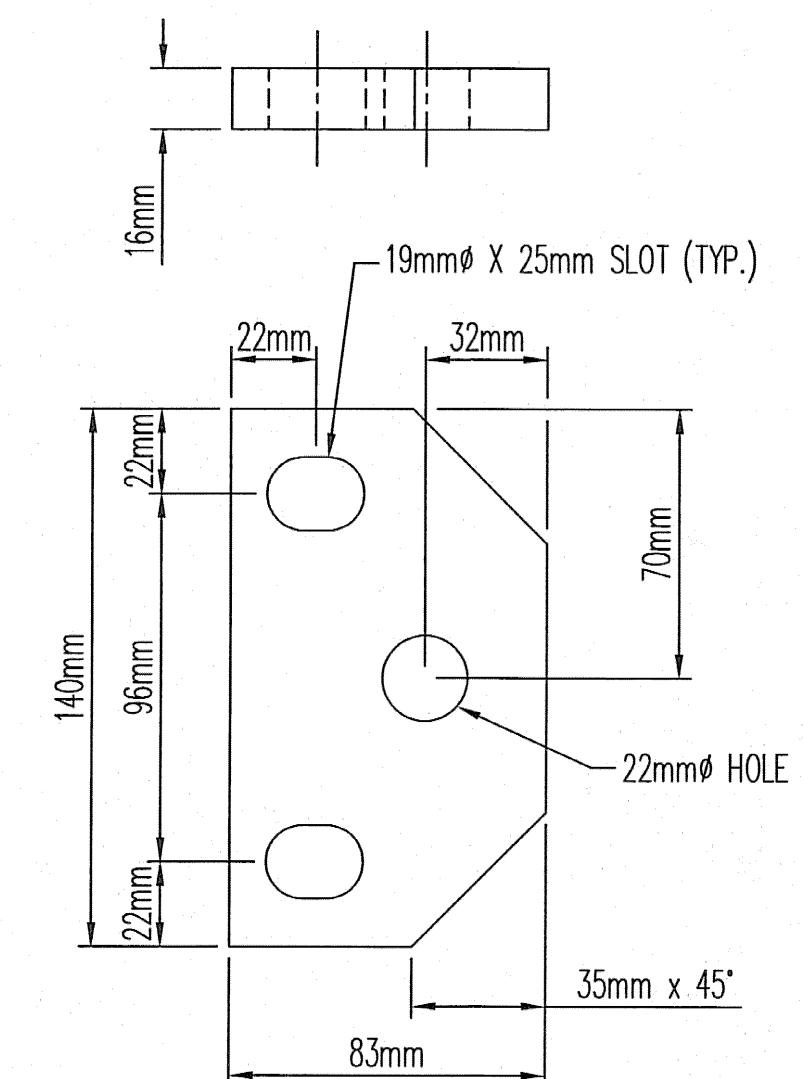


ITEM	DESCRIPTION	QTY.
b13	16mm $\phi$ X 102mm STUD ANCHOR	32
b16	10mm THICK SUPPORT BOX TUBE	32
b18	SUPPORT BOX END CAP	32

FOR SHOP USE ONLY

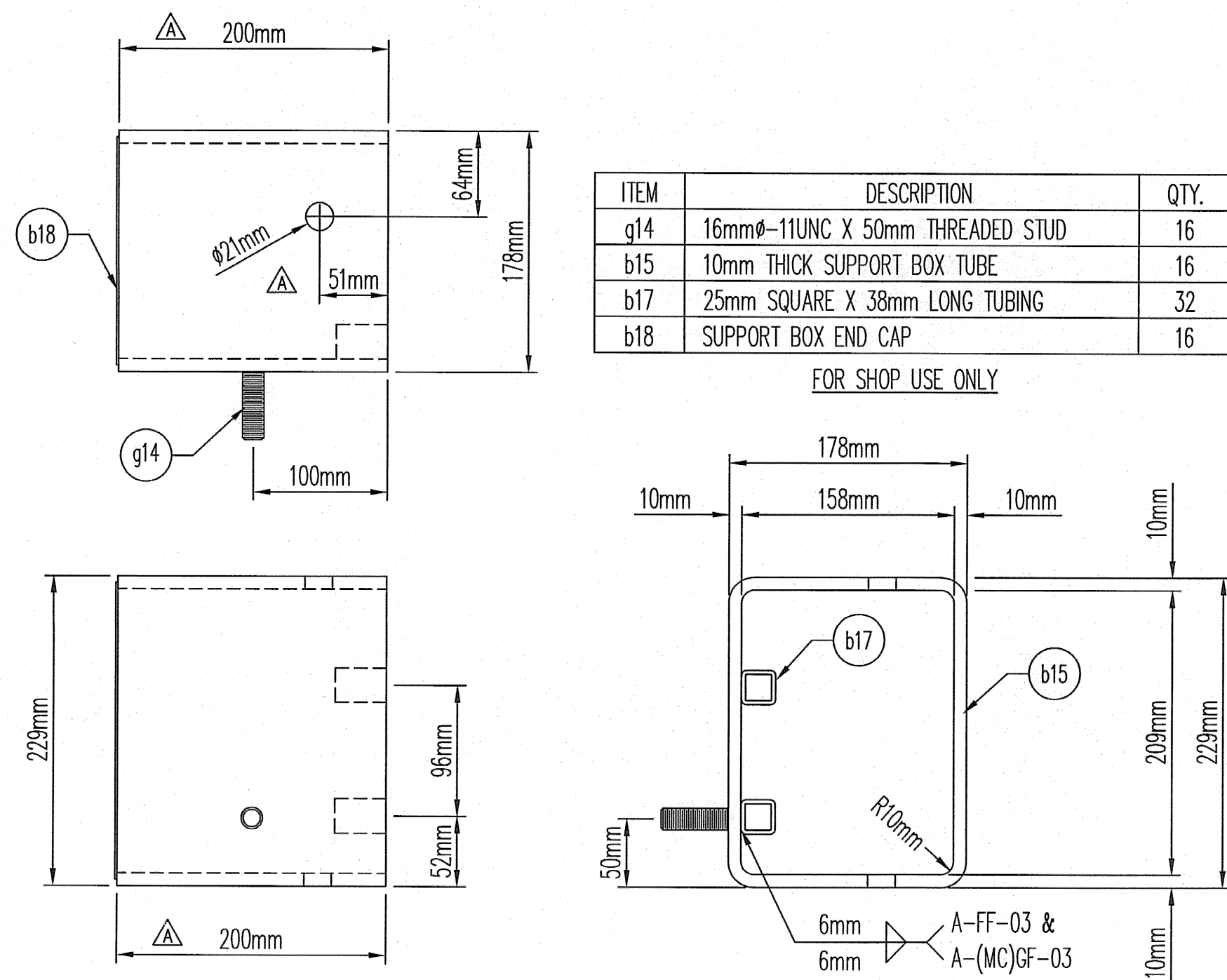
"D-240" SUPPORT BOX DETAIL  
(LONG LENGTH)

( 32 ) REQUIRED  
PLAN VIEW NO. 1



ITEM NO. p24  
( 96 ) REQ'D.

TYPICAL REMOVABLE PLATE DETAIL

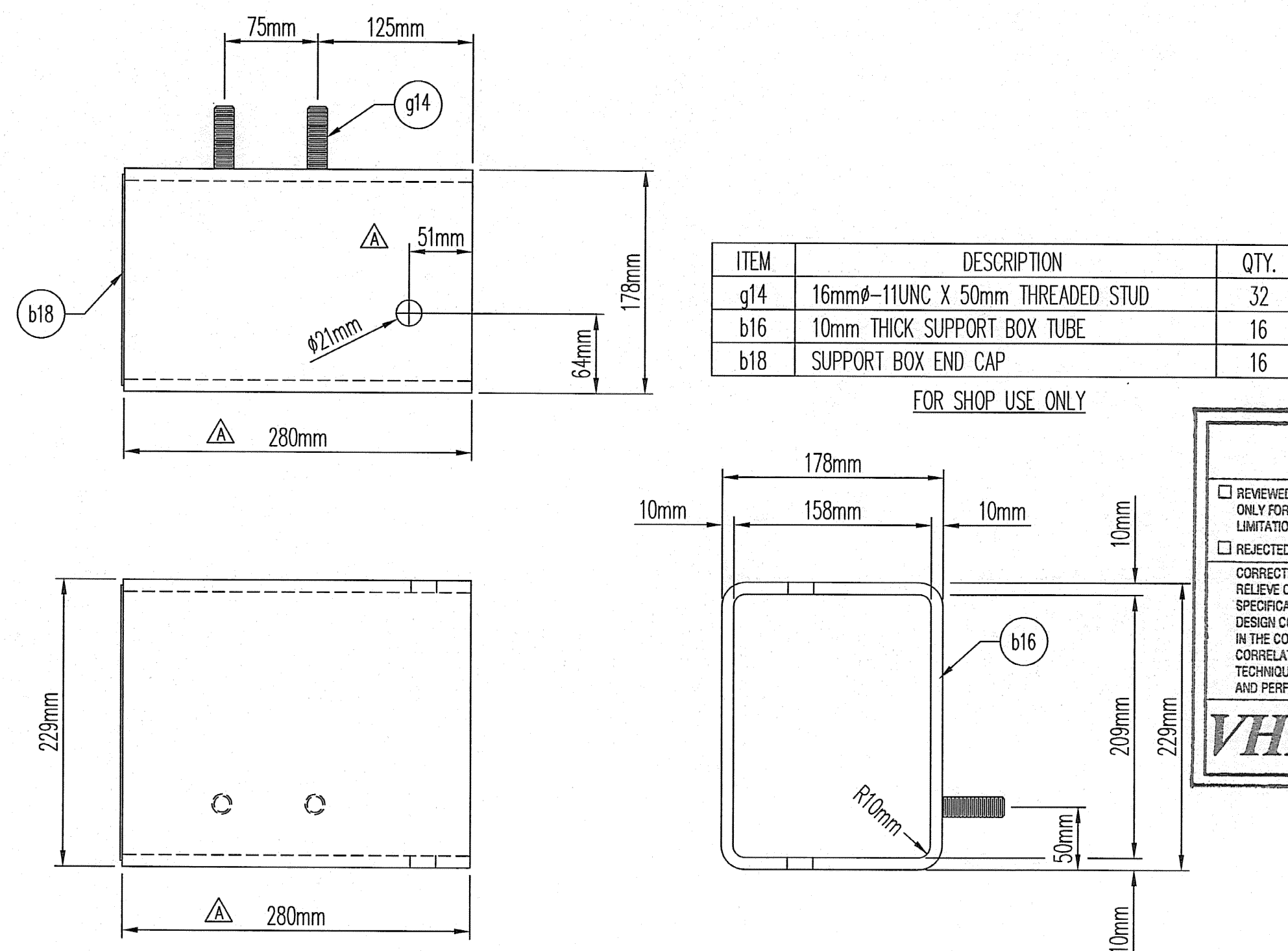


ITEM	DESCRIPTION	QTY.
g14	16mm $\phi$ -11UNC X 50mm THREADED STUD	16
b15	10mm THICK SUPPORT BOX TUBE	16
b17	25mm SQUARE X 38mm LONG TUBING	32
b18	SUPPORT BOX END CAP	16

FOR SHOP USE ONLY

"D-240" SUPPORT BOX DETAIL  
(SHORT LENGTH)

( 16 ) REQUIRED  
PLAN VIEW NO. 1



ITEM	DESCRIPTION	QTY.
g14	16mm $\phi$ -11UNC X 50mm THREADED STUD	32
b16	10mm THICK SUPPORT BOX TUBE	16
b18	SUPPORT BOX END CAP	16

FOR SHOP USE ONLY

"D-240" SUPPORT BOX DETAIL  
(LONG LENGTH)

( 16 ) REQUIRED  
PLAN VIEW NO. 1

**SHOP DRAWING REVIEW**

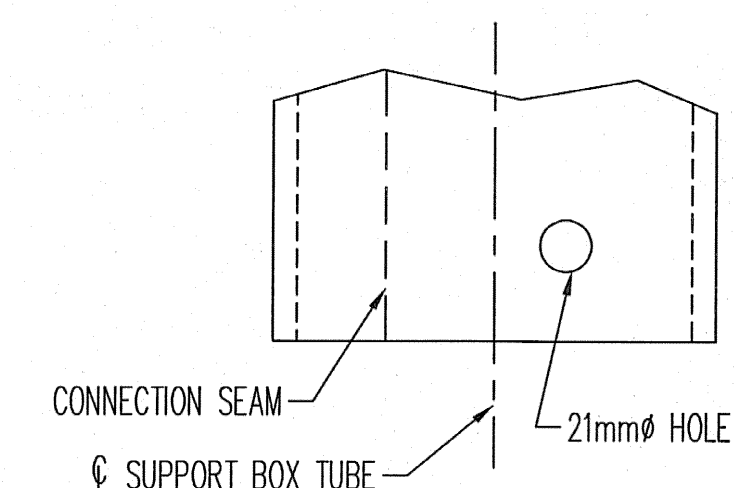
REVIEWED AS REQUIRED BY THE CONSTRUCTION CONTRACT DOCUMENTS AND APPROVED, BUT ONLY FOR CONFORMANCE TO THE DESIGN CONCEPT OF THE WORK, AND SUBJECT TO FURTHER LIMITATIONS AND REQUIREMENTS CONTAINED IN THE CONSTRUCTION CONTRACT DOCUMENTS.

REJECTED  REVISE AND RESUBMIT  FURNISH AS CORRECTED

CORRECTIONS OR COMMENTS MADE ON THE SHOP DRAWINGS DURING THIS REVIEW DO NOT RELIEVE CONTRACTOR FROM COMPLIANCE WITH REQUIREMENTS OF THE DRAWINGS AND SPECIFICATIONS. THIS CHECK IS ONLY FOR REVIEW OF GENERAL CONFORMANCE WITH THE DESIGN CONCEPT OF THE PROJECT AND GENERAL COMPLIANCE WITH THE INFORMATION GIVEN IN THE CONTRACT DOCUMENTS. THE CONTRACTOR IS RESPONSIBLE FOR: CONFIRMING AND CORRELATING ALL QUANTITIES AND DIMENSIONS; SELECTING FABRICATION PROCESSES AND TECHNIQUES OF CONSTRUCTION; COORDINATING HIS WORK WITH THAT OF ALL OTHER TRADES; AND PERFORMING HIS WORK IN A SAFE AND SATISFACTORY MANNER.

**VHB** Vanasse Hangen Brustlin, Inc.  
Engineers, Planners, and Scientists  
88 Bedford Farms, Keeneland Rd.  
Bedford, NH 03110 603 644 0888

Job Number: 52911  
Reviewed By: SAH  
Date: 6/1/06



SHOP NOTE:  
WHEN DRILLING 21mm $\phi$  HOLES INTO SUPPORT BOX TUBE, BE SURE THE SEAM OF THE TUBE IS ON THE OPPOSITE SIDE IN RELATIONSHIP TO THE  $\phi$  OF BOX.

**D.S. BROWN**  
300 E. CHERRY STREET  
NORTH BALTIMORE, OHIO 45872  
419.257.3561  
FAX: 419.257.0332  
4201 NOREX DRIVE  
CHASKA, MINNESOTA 55318  
952.368.3000  
FAX: 952.448.7000  
DSBROWN.COM

REV.	DESCRIPTION	DATE	DET.	CKD.
△	MODIFIED ITEMS IN TITLE BLOCK	04/02/06	RES	JLW
△	MODIFIED SUPPORT BOX LENGTHS	11/07/05	RES	JLW

ITEM	QUANTITY
LOCATION — VT 78 OVER MISSISSQUIO BAY	—
BRIDGE — 2	—
PROJECT NO. — BRF 036-1 (1)	—
TOWN — ALBURG AND SWANTON	—
P.O. NO. — P078559 MIS	—
SUPERVISOR — MARK KACZINSKI	—
CUSTOMER — CIAMBRO CORPORATION	—

SCALE	DRAWN BY	CHECKED BY	DATE	SHEET
N.T.S.	RES	JLW	03-21-05	8 OF 15
PROJECT NUMBER	PRODUCT CODE	RELEASE	DATE	SHEET
12244	1021	1	8	8