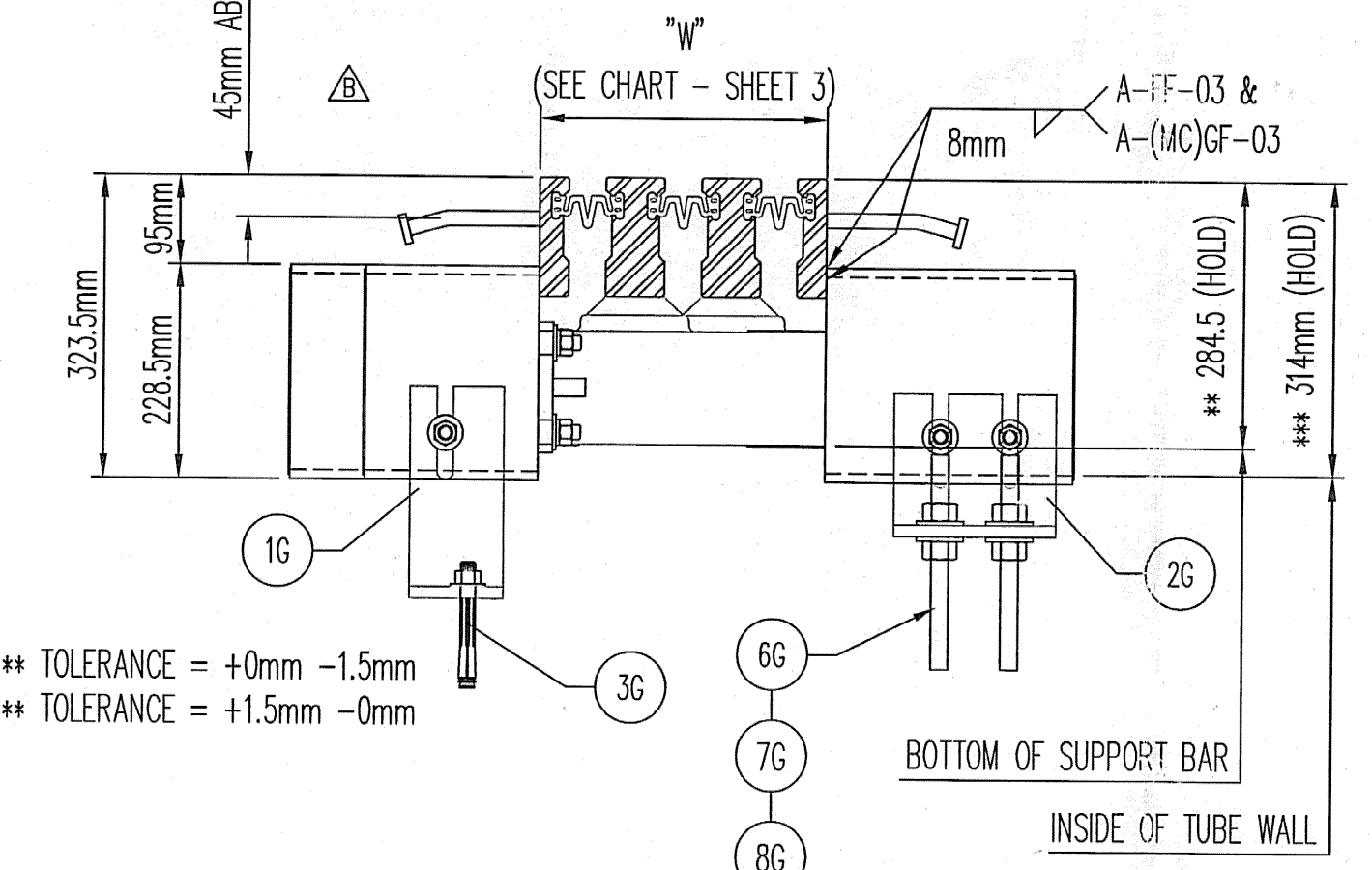
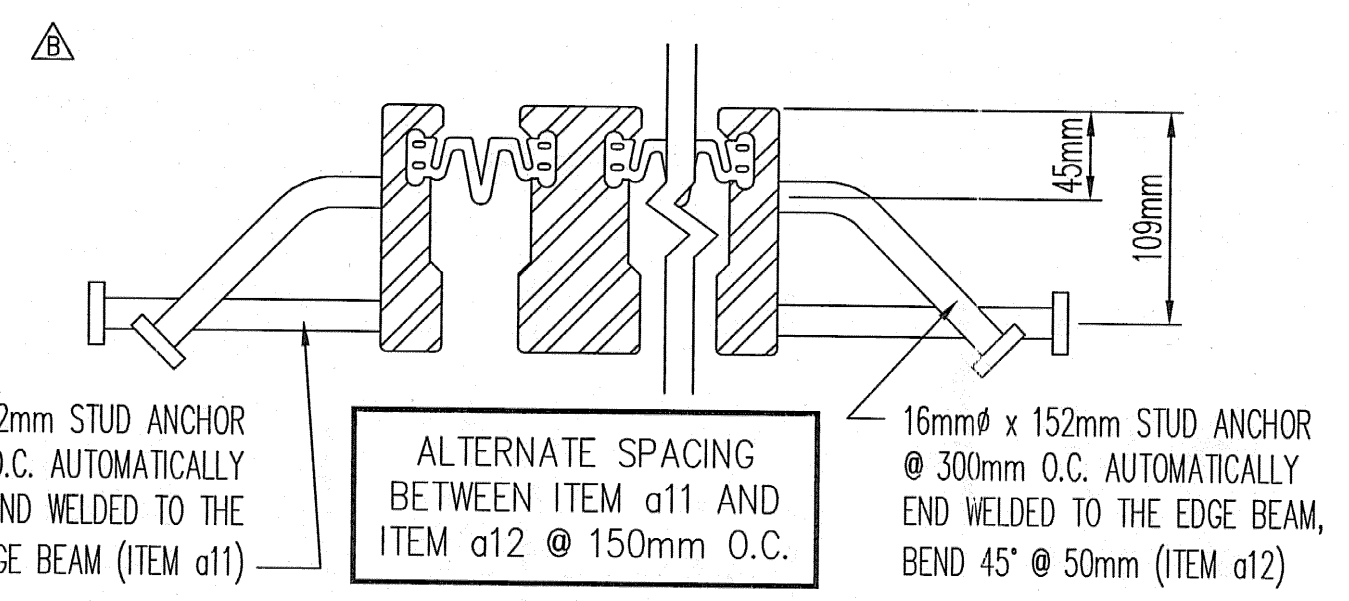


"D-240" MODULAR EXPANSION JOINT PLAN VIEW NO. 1

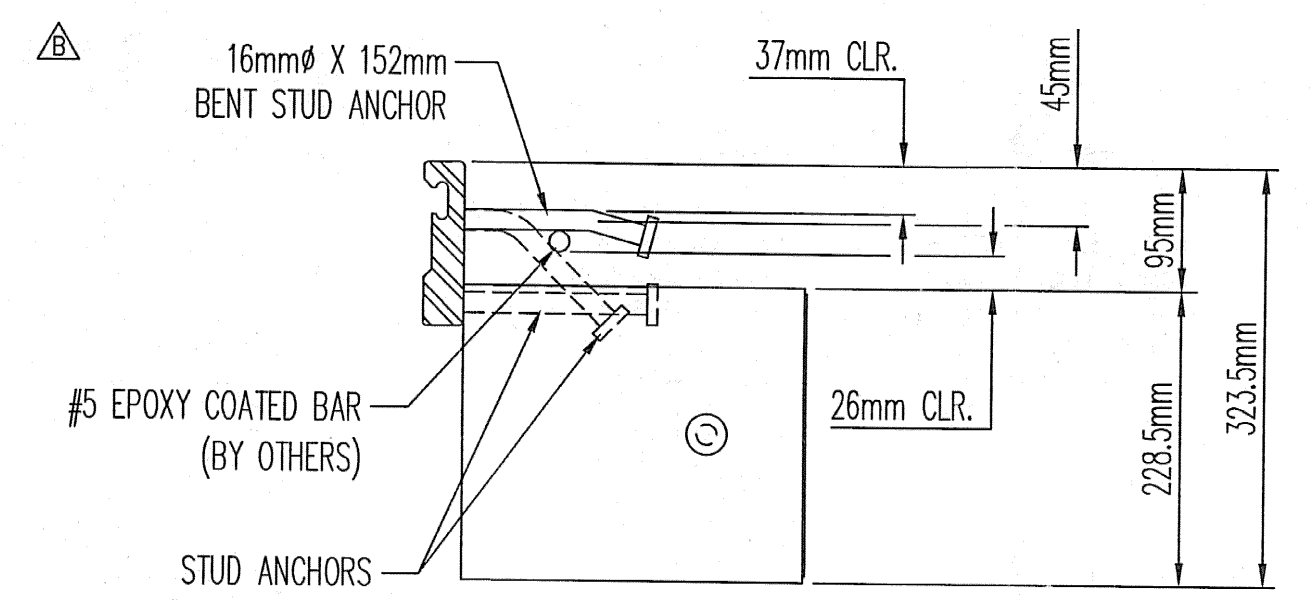
VT 78 OVER MISSISSOUI BAY  
 JOINTS LOCATED AT ABUTMENTS 1 & 2  
 (2) JOINTS REQUIRED  
 BOX SPACING = 1117.6mm



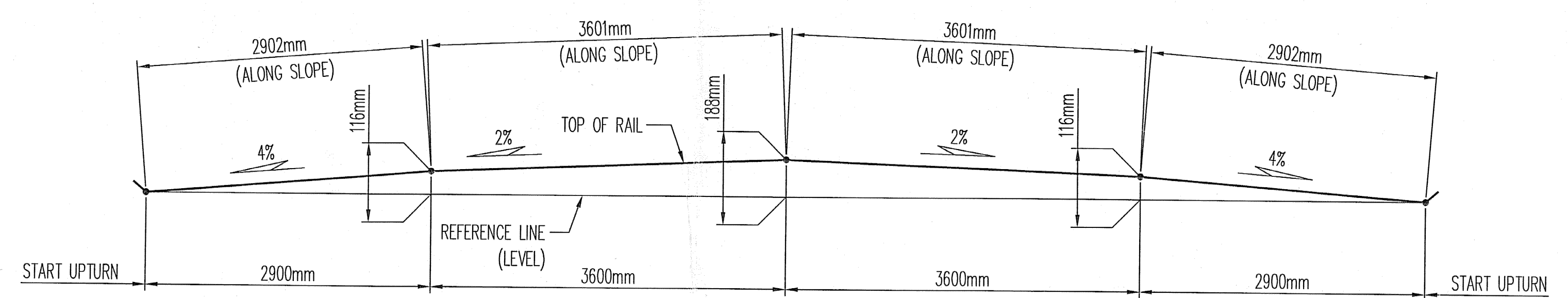
SECTION A1



SECTION B1 (EDGE BEAM ANCHORAGE)



SECTION THRU MODULAR EXPANSION JOINT @ SUPPORT BOX ASSEMBLY



MODULAR EXPANSION JOINT PROFILE

**FABRICATION NOTE:**  
 - SHOP SHALL LOCATE SPLICES IN EDGE & CENTER BEAMS. MINIMUM SPLICE LENGTH SHALL BE 610mm FOR EDGE BEAMS & 1219mm FOR CENTER BEAMS.  
 - LOCATE SPLICE FOR CENTER BEAMS A MINIMUM 152mm FROM SUPPORT BARS.

**D.S. BROWN**  
 300 E. CHERRY STREET  
 NORTH BALTIMORE, OHIO 45872  
 419.257.3561  
 FAX: 419.257.0332  
 4201 NOREX DRIVE  
 CHASKA, MINNESOTA 55318  
 952.368.3000  
 FAX: 952.448.7000  
 DSBROWN.COM

REV.	DESCRIPTION	DATE	DET.	CHKD.
△	REMOVED BEND OPTION AT GRADE BREAKS; MODIFIED ITEMS IN TITLE BLOCK	04/02/06	RES	JLW
△	MODIFIED EDGE BEAM STUD ANCHORS; REMOVED NOTE; ADDED DETAIL	01/19/06	RES	JLW
△	MODIFIED EDGE BEAM STUD ANCHORS; LOWERED SUPPORT BOXES ON EDGE BEAM	10/24/05	RES	JLW

LOCATION	ITEM	QUANTITY
VT 78 OVER MISSISSOUI BAY		
BRIDGE - 2		
PROJECT NO. - BR 036-1 (1)		
TOWN - ALBURG AND SWANTON		
P.O. NO. - P078559 MIS		
SUPERVISOR - MARK KACZINSKI		
CUSTOMER - CIANBRO CORPORATION		

SCALE	DRAWN BY	CHECKED BY	DATE	DRIVE SHEET
N.T.S.	RES	JLW	03-04-05	1 OF 15
PROJECT NUMBER	PRODUCT CODE	RELEASE	SHEET	
12244	1021	1	1	

**SHOP DRAWING REVIEW**

REVIEWED AS REQUIRED BY THE CONSTRUCTION CONTRACT DOCUMENTS AND APPROVED, BUT NOT GUARANTEEING THE WORK AND SUBJECT TO FURTHER REVISIONS AND REQUIREMENTS CONTAINED IN THE CONTRACT DOCUMENTS. REVISIONS AS CORRECTED.

REVISIONS OR COMMENTS MADE ON THE SHOP DRAWINGS DURING THE REVIEW DO NOT RELIEVE CONTRACTOR FROM COMPLIANCE WITH REQUIREMENTS OF THE DRAWINGS AND SPECIFICATIONS. THE CONTRACTOR IS RESPONSIBLE FOR CONFIRMING AND VERIFYING ALL DIMENSIONS AND CONDITIONS SELECTING FABRICATION PROCESSES AND TECHNIQUES OF CONSTRUCTION TO BE USED AND SATISFACTORY MANNER. OF ALL OTHER TRADES AND PERFORMING HIS WORK IN A SAFE AND SATISFACTORY MANNER.

**VHB**  
 Vinnaso Hargrett Brantlin, Inc.  
 Engineers, Planners, and Scientists  
 Job Number: 6041  
 Reviewed By: SAH  
 Date: 6/16/06