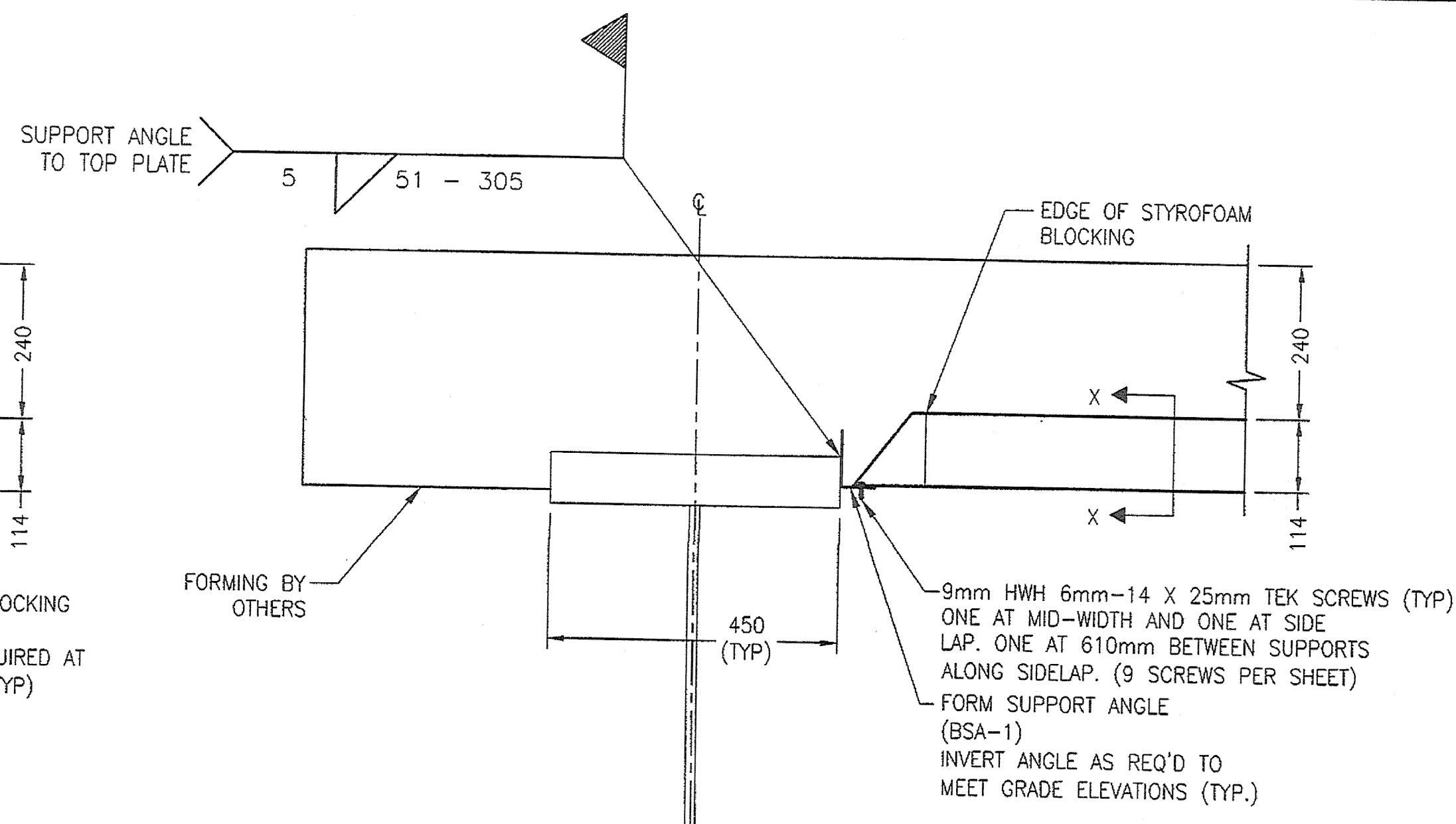
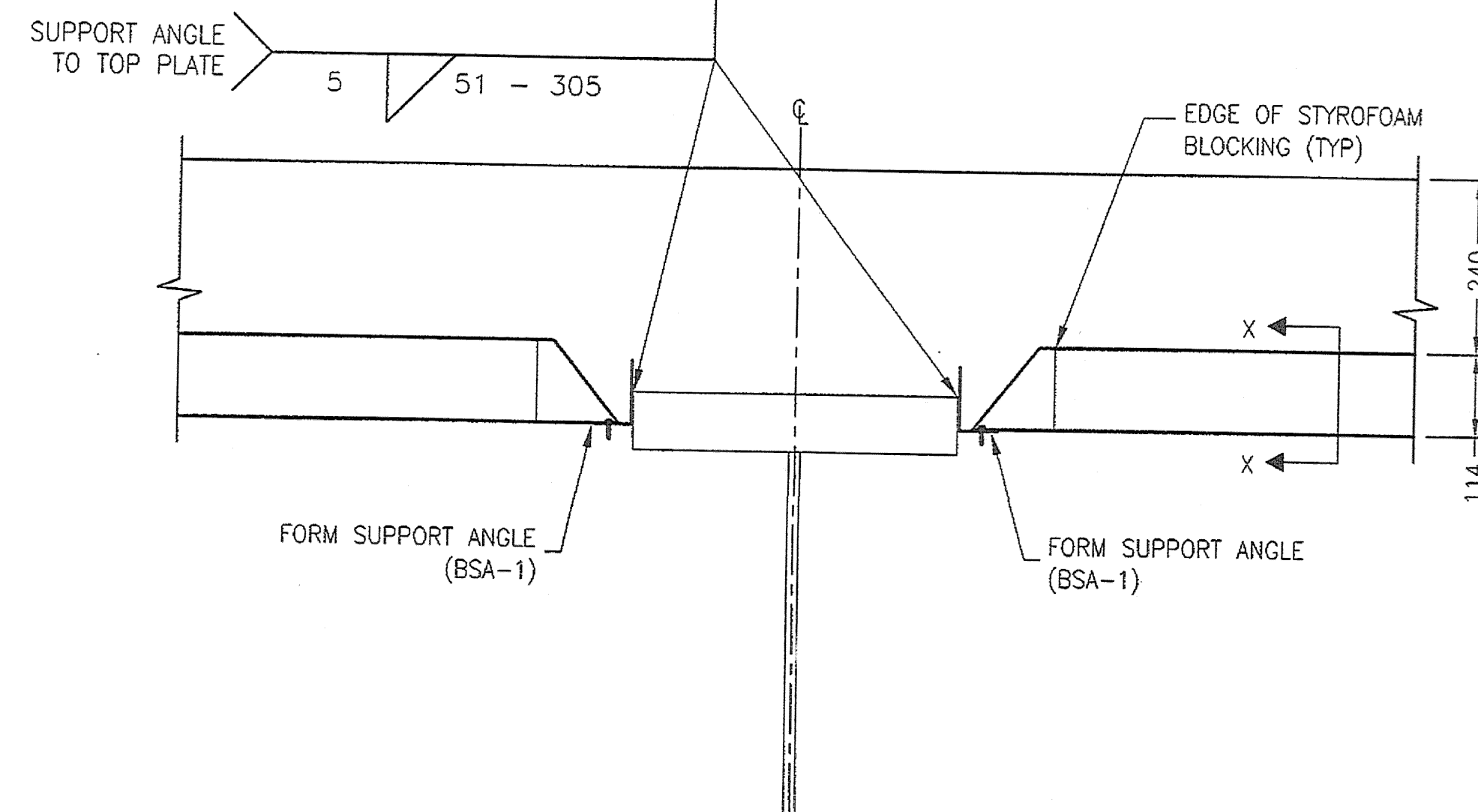


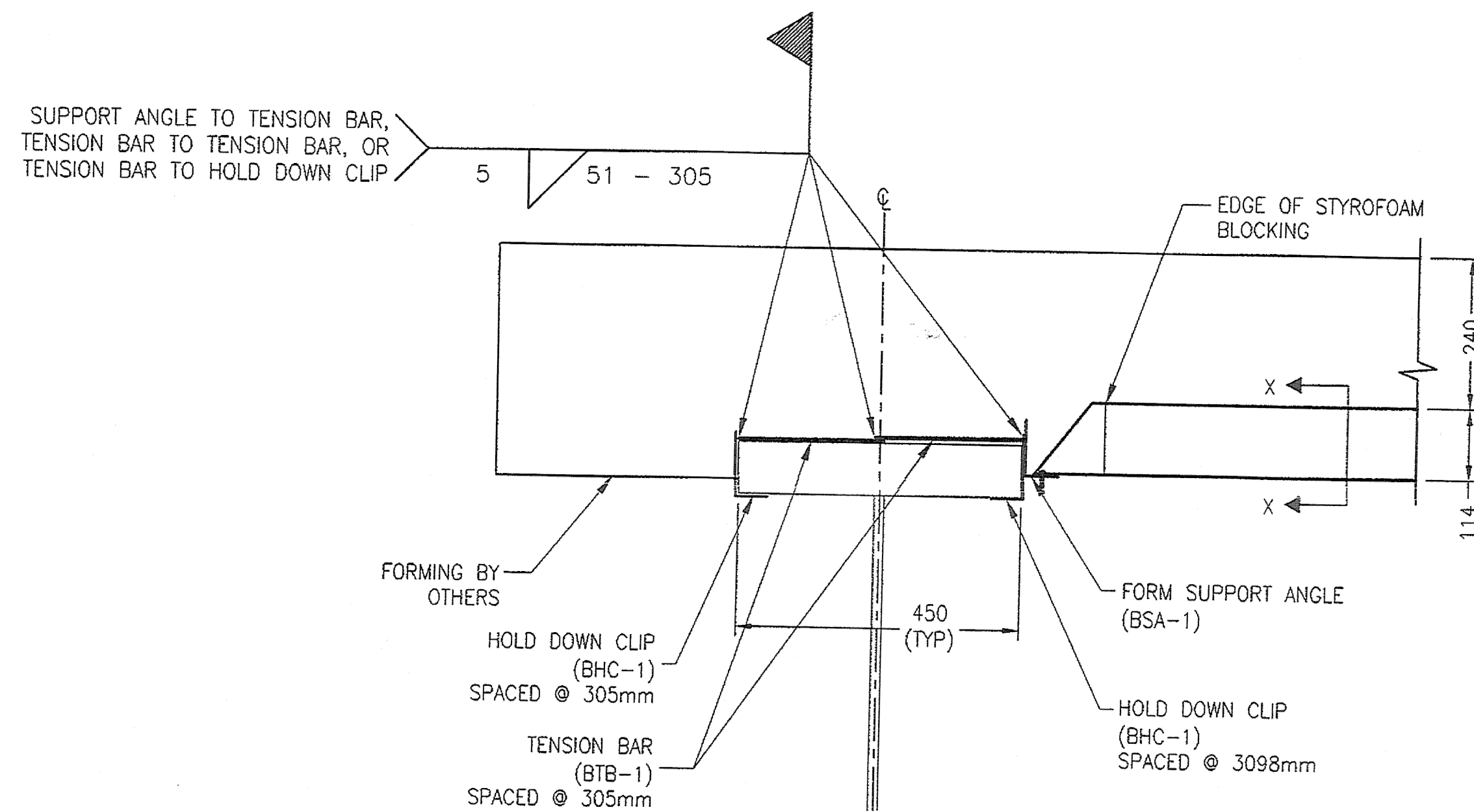
SECTION B1301



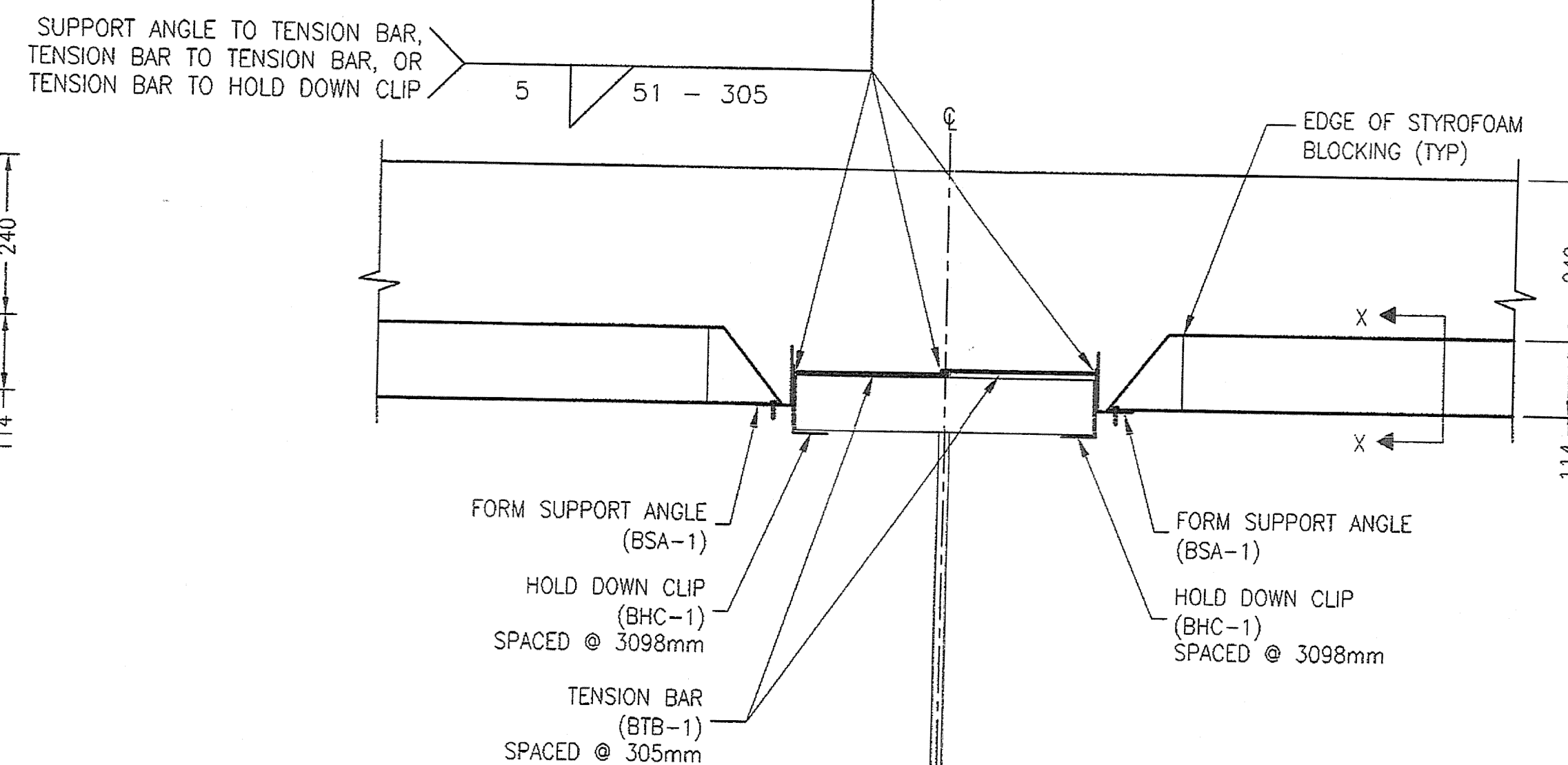
SECTION B1302



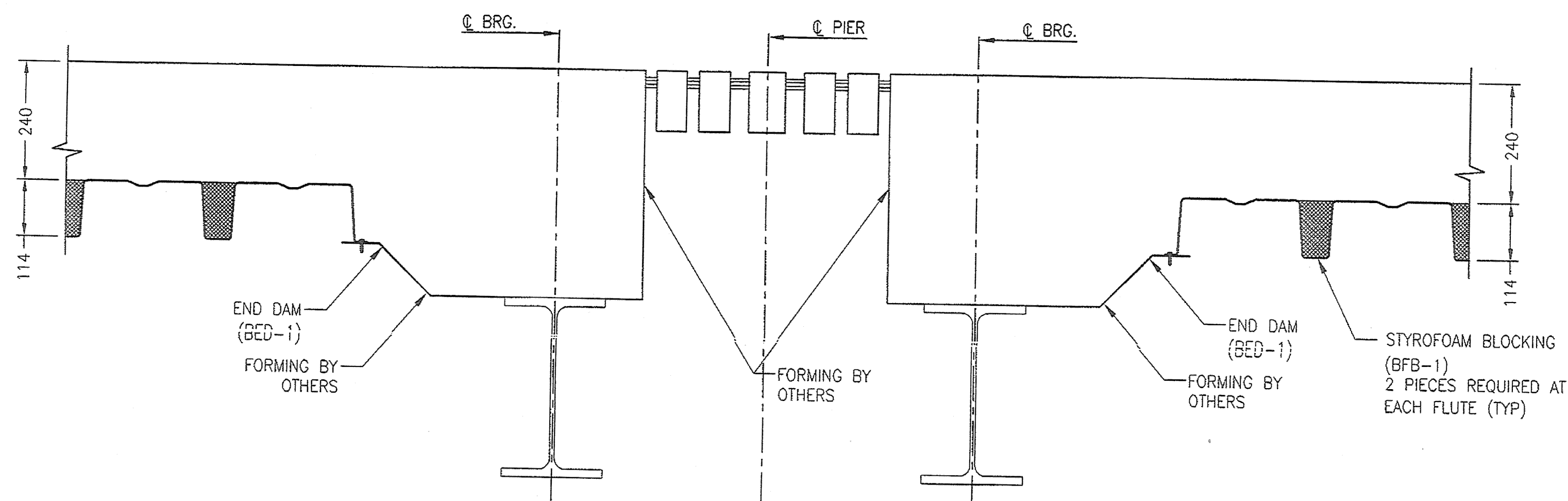
SECTION B1303



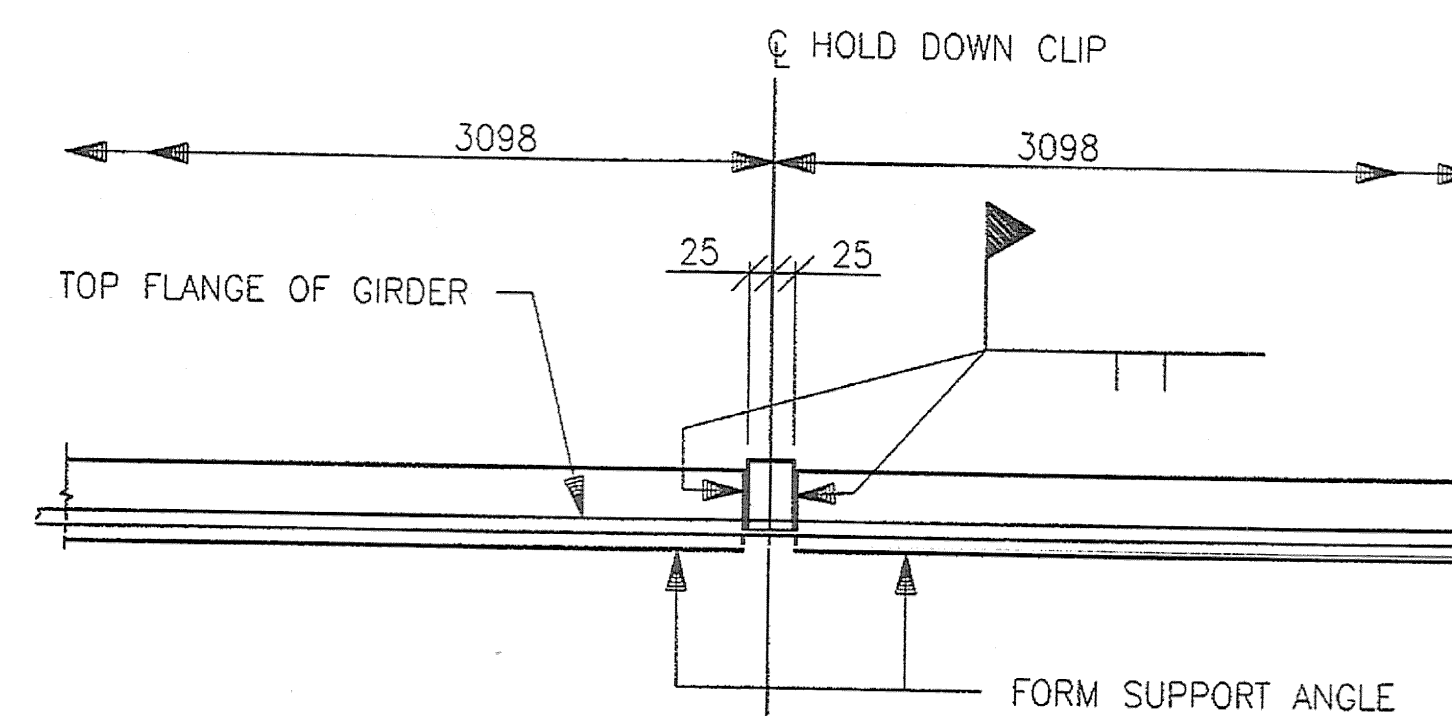
SECTION B1304



SECTION B1305



SECTION B1304



X-X

**SHOP DRAWING REVIEW**

REMOVED AS REQUIRED BY THE CONSTRUCTION CONTRACT DOCUMENTS AND APPROVED, BUT ONLY FOR CONFORMANCE WITH THE CONTRACT DOCUMENTS, AND SUBJECT TO FURTHER EMPHASIS AND REQUIREMENTS CONTAINED IN THE CONSTRUCTION CONTRACT DOCUMENTS.

REVISIONS:  REVISIONS  REVISIONS  REVISIONS

CONSTRUCTION

**MHB**  
Mississippi Highway Builders, Inc.  
Expansive, Permanent, and Economic  
1154 MARKET ST., WHEELING, WEST VIRGINIA 26060  
PHONE: (304) 571-3100

Job Number: **30777**  
Prepared by: **30777**  
Date: **3-27-05**

EACH SHEET MUST BE FASTENED TO SUPPORTS IMMEDIATELY UPON PLACEMENT TO AVOID HAZARD THAT COULD RESULT FROM HORIZONTAL MOVEMENT OR SUDDEN UPLIFT

CUSTOMER: **CIANBRO**  
PROJECT: **MISSISSIPPI BAY BRIDGE**  
LOCATION: **VT 78 (PRINCIPAL ARTERIAL)**  
OWNER: **COUNTIES OF GRAND ISLE AND FRANKLIN**  
STATE OF VERMONT AGENCY OF TRANSPORTATION

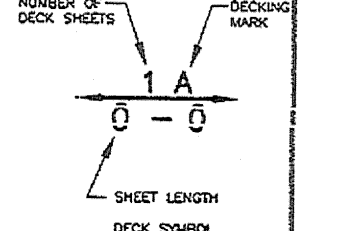
DATE	CHECKED	DATE	PROJECT #
3/21/05	LUCAS	3/28/05	BRF 036 - 1 (1)

PRINTS ISSUED

No.	DATE	FOR
0/6	3/29	APPROVAL
E-0/6	4/21	APPROVAL
E	4/22	APPROVAL
E	5/13	APPROVAL

SYMBOLS

~~~~~	SEAL LINE
-----	AREA LINE
⊙	SEAL MARK
⊞	AREA MARK
E.O.D.	END OF DECK
E.O.S.	END OF SLAB



PROJECT # **BR-05-27**

**B13**