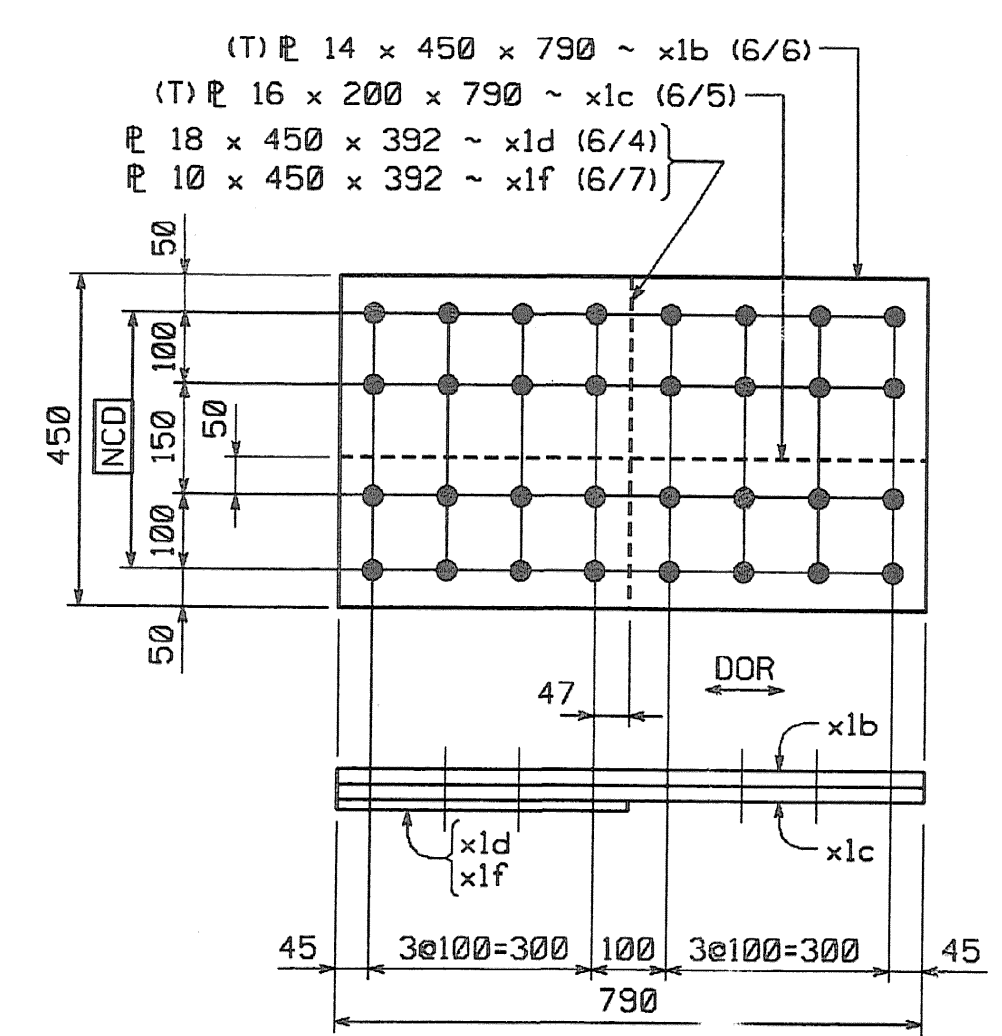


192~SPlice P MK. x1a
 56 REQ'D. FOR SHIPMENT 1
 72 REQ'D. FOR SHIPMENT 2
 64 REQ'D. FOR SHIPMENT 3

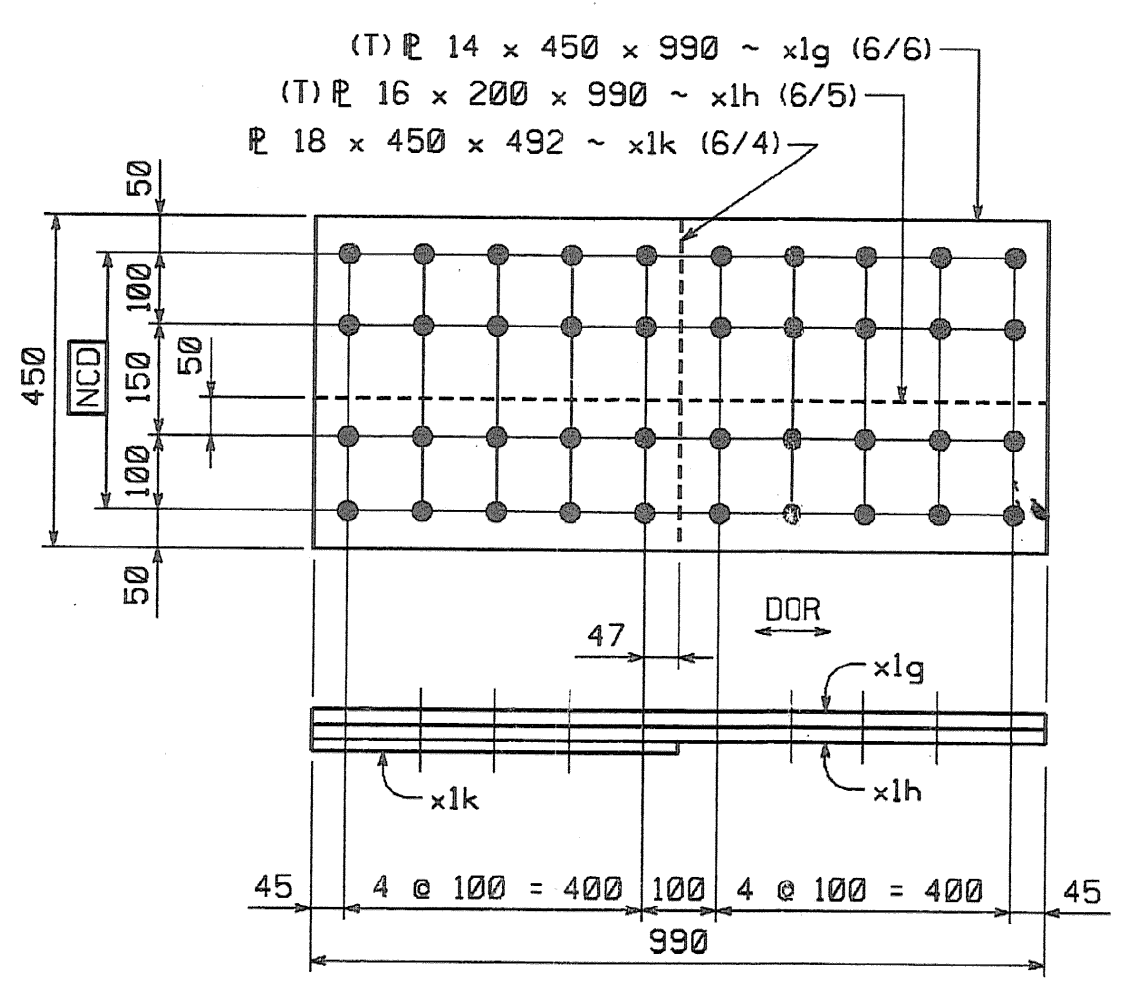


84~SPlice P MK. x1b
 24 REQ'D. FOR SHIPMENT 1
 32 REQ'D. FOR SHIPMENT 2
 28 REQ'D. FOR SHIPMENT 3

168~SPlice P MK. x1c
 48 REQ'D. FOR SHIPMENT 1
 64 REQ'D. FOR SHIPMENT 2
 56 REQ'D. FOR SHIPMENT 3

24~FILL P MK. x1d
 8 REQ'D. FOR SHIPMENT 1
 8 REQ'D. FOR SHIPMENT 2
 8 REQ'D. FOR SHIPMENT 3

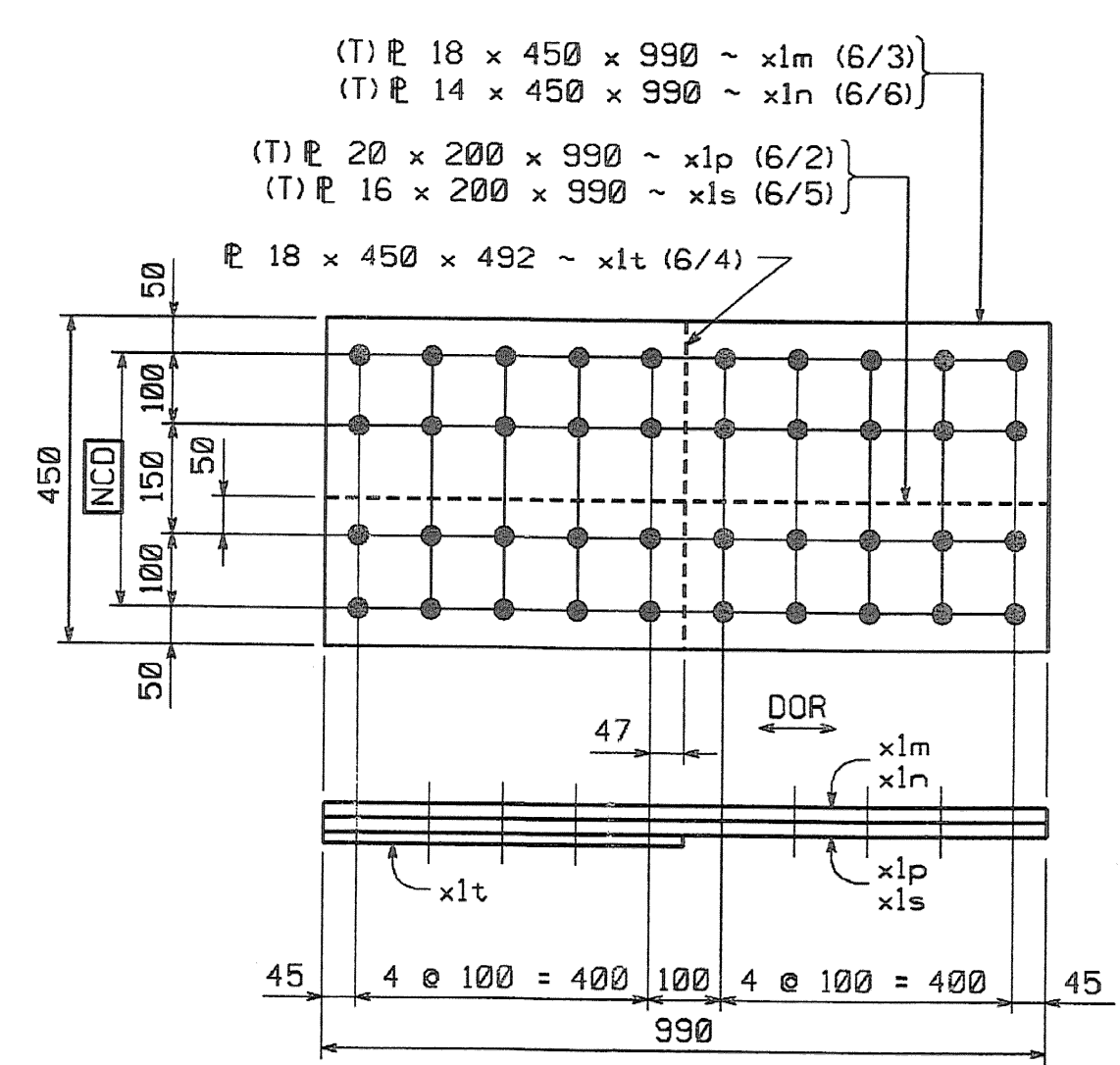
56~FILL P MK. x1f
 16 REQ'D. FOR SHIPMENT 1
 20 REQ'D. FOR SHIPMENT 2
 20 REQ'D. FOR SHIPMENT 3



12~SPlice P MK. x1g
 4 REQ'D. FOR SHIPMENT 1
 4 REQ'D. FOR SHIPMENT 2
 4 REQ'D. FOR SHIPMENT 3

24~SPlice P MK. x1h
 8 REQ'D. FOR SHIPMENT 1
 8 REQ'D. FOR SHIPMENT 2
 8 REQ'D. FOR SHIPMENT 3

12~FILL P MK. x1k
 4 REQ'D. FOR SHIPMENT 1
 4 REQ'D. FOR SHIPMENT 2
 4 REQ'D. FOR SHIPMENT 3



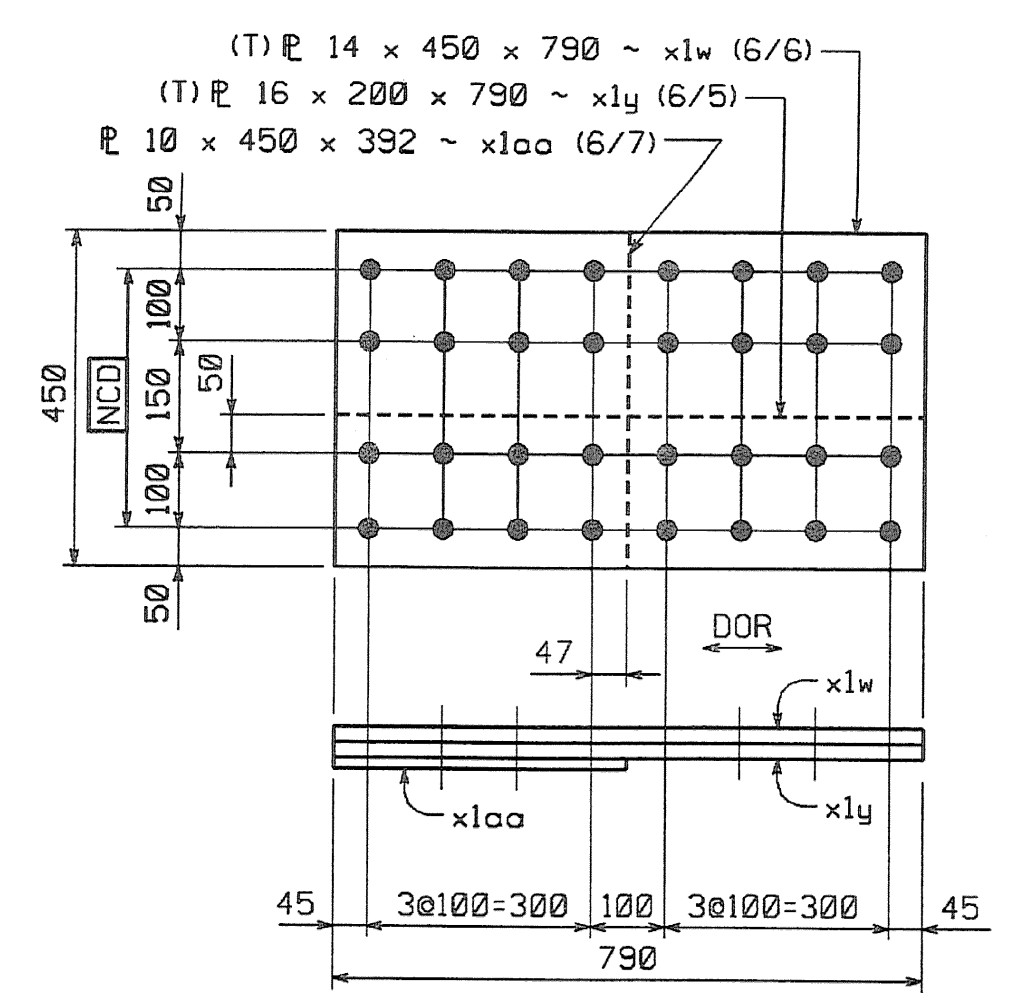
24~SPlice P MK. x1m
 8 REQ'D. FOR SHIPMENT 1
 8 REQ'D. FOR SHIPMENT 2
 8 REQ'D. FOR SHIPMENT 3

12~SPlice P MK. x1n
 4 REQ'D. FOR SHIPMENT 1
 4 REQ'D. FOR SHIPMENT 2
 4 REQ'D. FOR SHIPMENT 3

48~SPlice P MK. x1p
 16 REQ'D. FOR SHIPMENT 1
 16 REQ'D. FOR SHIPMENT 2
 16 REQ'D. FOR SHIPMENT 3

24~SPlice P MK. x1s
 8 REQ'D. FOR SHIPMENT 1
 8 REQ'D. FOR SHIPMENT 2
 8 REQ'D. FOR SHIPMENT 3

12~FILL P MK. x1t
 4 REQ'D. FOR SHIPMENT 1
 4 REQ'D. FOR SHIPMENT 2
 4 REQ'D. FOR SHIPMENT 3



60~SPlice P MK. x1w
 16 REQ'D. FOR SHIPMENT 1
 24 REQ'D. FOR SHIPMENT 2
 20 REQ'D. FOR SHIPMENT 3

120~SPlice P MK. x1y
 32 REQ'D. FOR SHIPMENT 1
 48 REQ'D. FOR SHIPMENT 2
 40 REQ'D. FOR SHIPMENT 3

56~FILL P MK. x1aa
 16 REQ'D. FOR SHIPMENT 1
 20 REQ'D. FOR SHIPMENT 2
 20 REQ'D. FOR SHIPMENT 3

NOTE: CORNER GRINDING IS REQUIRED FOR ALL MATERIAL ON THIS SHEET.

SHOP NOTE

HOLES: 1/8"
 BOLTS: NONE
 PAINT: NONE
 DOR INDICATES DIRECTION OF ROLLING
 FOR GENERAL SHOP NOTES, SEE DWG. 011.

SHOP DRAWING REVIEW

REVIEWED AS REQUIRED BY THE CONSTRUCTION CONTRACT DOCUMENTS AND APPROVED, BUT ONLY FOR CONFORMANCE TO THE DESIGN CONCEPT OF THE WORK, AND SUBJECT TO FURTHER LIMITATIONS AND REQUIREMENTS CONTAINED IN THE CONSTRUCTION CONTRACT DOCUMENTS.

REJECTED REVISE AND RESUBMIT FURNISH AS CORRECTED

CORRECTIONS OR COMMENTS MADE ON THE SHOP DRAWINGS DURING THIS REVIEW DO NOT RELIEVE CONTRACTOR FROM COMPLIANCE WITH REQUIREMENTS OF THE DRAWINGS AND SPECIFICATIONS. THIS CHECK IS ONLY FOR REVIEW OF GENERAL CONFORMANCE WITH THE DESIGN CONCEPT OF THE PROJECT AND GENERAL COMPLIANCE WITH THE INFORMATION GIVEN IN THE CONTRACT DOCUMENTS. THE CONTRACTOR IS RESPONSIBLE FOR CONFIRMING AND CORRELATING ALL QUANTITIES AND DIMENSIONS, SELECTING FABRICATION PROCESSES AND TECHNIQUES OF CONSTRUCTION, COORDINATING HIS WORK WITH THAT OF ALL OTHER TRADES, AND PERFORMING HIS WORK IN A SAFE AND SATISFACTORY MANNER.

VHB Vanasse Hangen Brustlin, Inc.
 Engineers, Planners, and Scientists
 86 Bedford Farm, Kilton Rd.
 Bedford, NH 03110 603 644 0888

Job Number: 50211
 Reviewed By: SMH
 Date: 10/21/05

NO.	REVISION	BY	DATE
1	ADDED FIELD SPLICE	DRJ	8/5/05

1770 Hempstead Road
 Lancaster, PA 17605-0008
 Phone 717/299-5211

HIGH STEEL STRUCTURES, INC.
 A Division of High Industries, Inc.

GIRDER JOB STANDARDS
 VT 78 OVER MISSISSQUOI BAY, BRIDGE NO. 2
 VT 78 STA.10+970.425 TO STA.12+059.775
 TOWNS OF ALBURG AND SWANTON
 COUNTIES OF GRAND ISLE AND FRANKLIN
 STATE OF VERMONT, AGENCY OF TRANSPORTATION

STATE CONTRACT OR REF. NO. BRF-036-1(1)
 CONTRACTOR: CIANBRO CORPORATION
 IN CHARGE: GLIDDEN (IH) MADE BY: SSJ CHK'D. BY: CS DATE: 8-11-04
 CONTRACT NUMBER: VT-04057-1,2&3 DRAWING NUMBER: X1 OF X2

Plotted: 8/11/05 10:28:56 AM