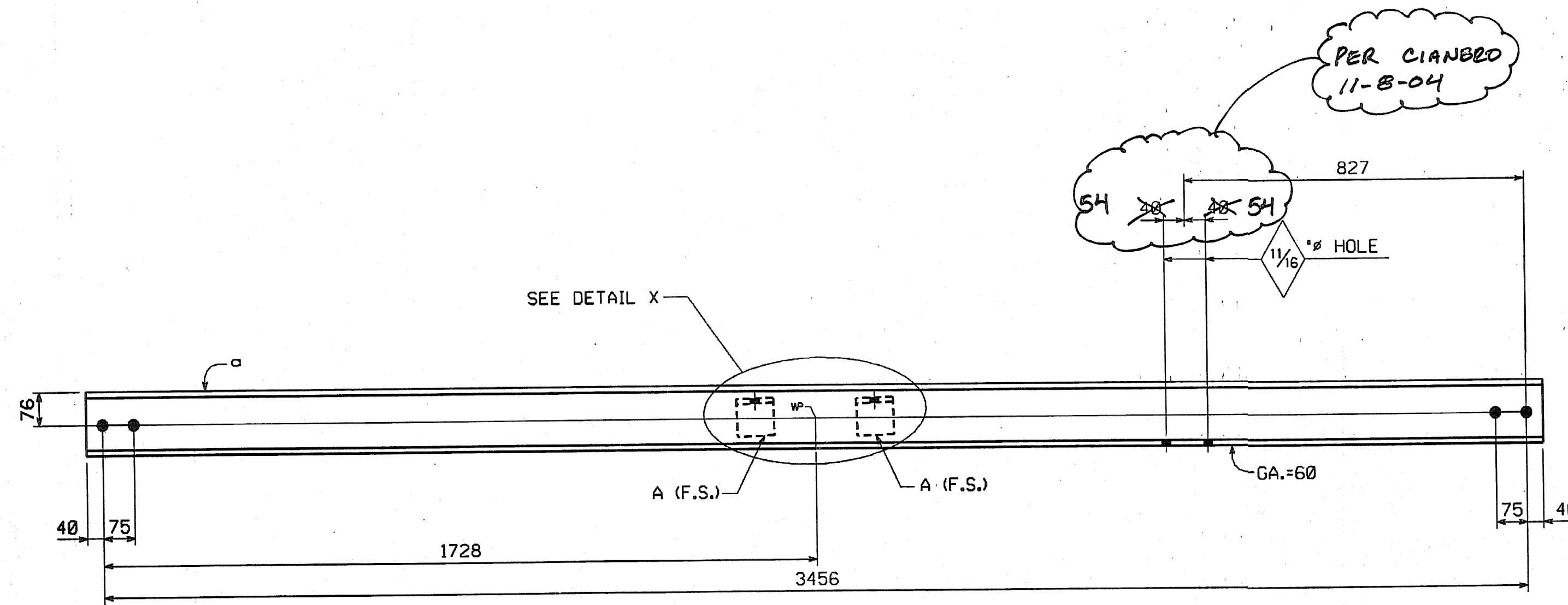


METRIC

METRIC

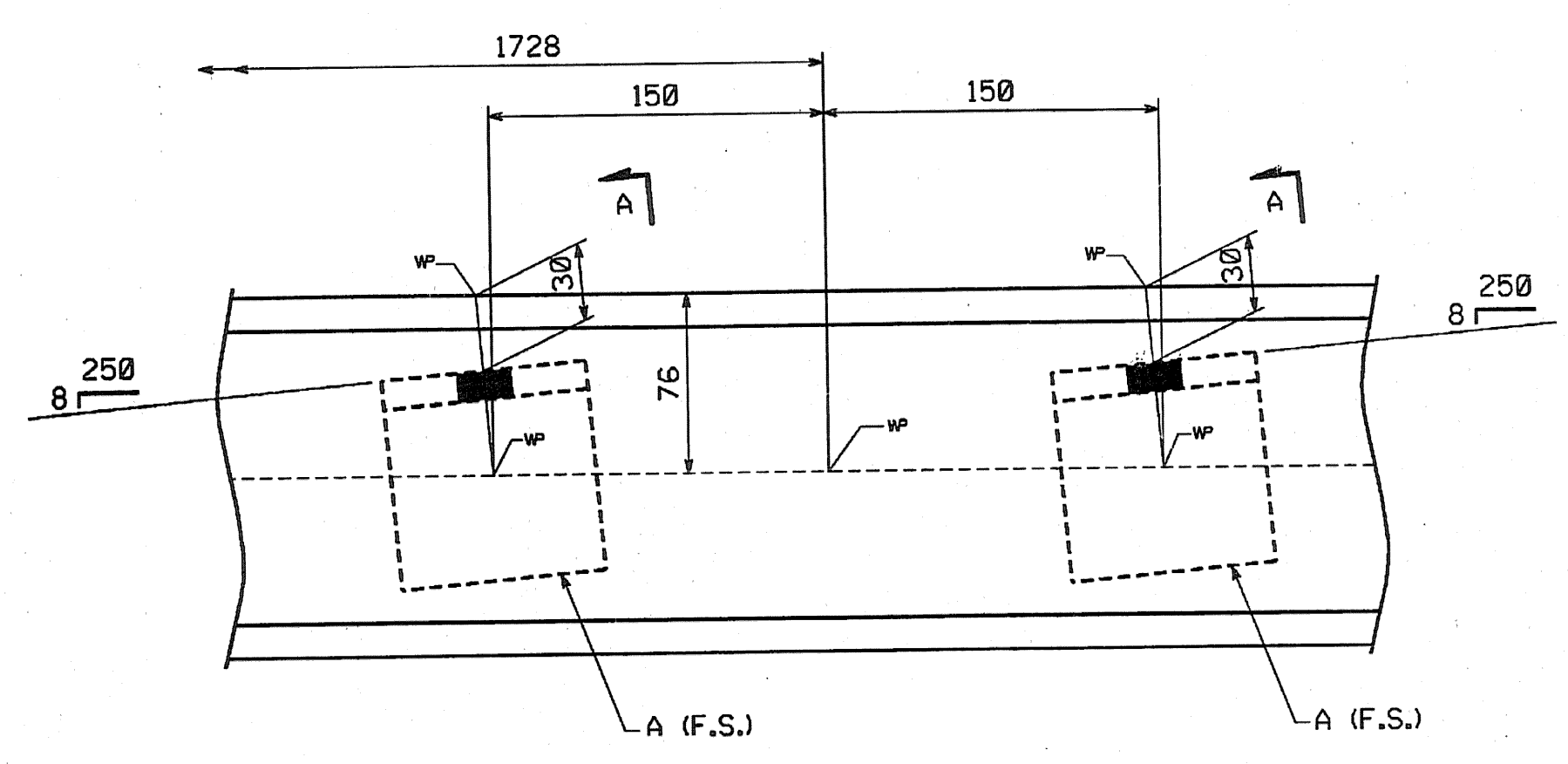
1. ALL DIMENSIONS ARE IN MILLIMETERS UNLESS OTHERWISE NOTED.
2. ALL WEIGHTS ARE IN KILOGRAMS.

FED. ROAD DIST. NO. STATE FED. AID PROJ. NO.
VT

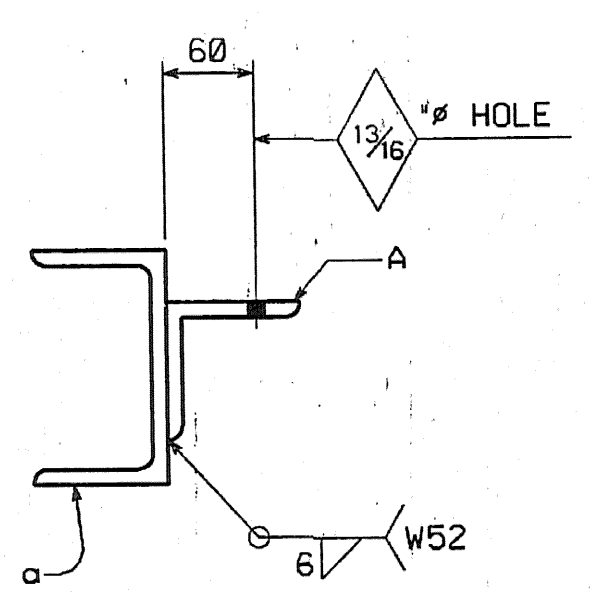


UTILITY SUPPORTS

MARK	A	REMARKS
D1	mly	PAINT
D2	mloa	NO PAINT



DETAIL X (ENLARGED)



SECTION A

SHIPMENT			BILL OF MATERIAL							
1	2	3	NO.	MARK	DESCRIPTION	LENGTH	REMARKS	GRP.	ITEM	SHIP. WT. KG. EA.
2	2	3	7	D1	DIAPHRAGMS					97.04
			7	a	MC150 x 26.8	3 536	(MC6 x 18)		10 1	94.76
			14	m1y	L89 x 89 x 9.5	90	(L3 1/2 x 3 1/2 x 3/8)		10 2	1.14
47	54	53	154	D2	DIAPHRAGMS					97.04
			154	a	MC150 x 26.8	3 536	(MC6 x 18)		10 1	94.76
			308	m1aa	L89 x 89 x 9.5	90	(L3 1/2 x 3 1/2 x 3/8)		10 2	1.14
TOTAL WEIGHT THIS SHEET:										15 623.44 kgs

SHIP. 1 WT~4754.96 kgs Unit #1 49 ✓
 SHIP. 2 WT~5434.24 kgs Unit #2 56 ✓
 SHIP. 3 WT~5434.24 kgs Unit #3 56 ✓
 Total 156 ✓

TOTAL WEIGHT SHIPMENT #1 ~ 691 939.23 kgs. Δ
 TOTAL WEIGHT SHIPMENT #2 ~ 787 206.02 kgs. Δ
 TOTAL WEIGHT SHIPMENT #3 ~ 787 289.47 kgs. Δ
 TOTAL WEIGHT FOR BID ITEM NUMBER 078 506.55: 2 266 434.72 kgs. Δ

SHOP DRAWING REVIEW

REMOVED AS REQUIRED BY THE CONSTRUCTION CONTRACT DOCUMENTS AND SPECIFICATIONS, ONLY FOR CONFORMANCE TO THE DESIGN CONCEPT OF THE WORK, AND SUBJECT TO OTHER LIMITATIONS AND REQUIREMENTS CONTAINED IN THE CONSTRUCTION CONTRACT DOCUMENTS.

REJECTED DISPOSE AND REBUILT UNLESS AS CORRECTED

REVISIONS BASED ON THE SHOP DRAWINGS SHOULD BE MADE BY THE CONTRACTOR. THIS CHECK IS ONLY FOR REVIEW OF GENERAL CONFORMANCE WITH THE SPECIFICATIONS. THIS CHECK IS NOT A GUARANTEE OF THE ACCURACY OF THE INFORMATION GIVEN OR THE COMPLETION OF THE WORK. THE CONTRACTOR IS RESPONSIBLE FOR OBTAINING ALL NECESSARY PERMITS AND APPROVALS FROM THE APPROPRIATE AGENCIES AND AGENCIES OF THE STATE OF VERMONT.

Job Number: 505-11
 Reviewed By: [Signature]
 Date: 11/18/04

NO.	REVISION	BY	DATE
			9/20/04

1770 Hempstead Road
 Lancaster, PA 17605-0008
 Phone 717/299-5211

HIGH STEEL STRUCTURES, INC.

DIAPHRAGMS D1 & D2

VT 78 OVER MISSISSQUOI BAY, BRIDGE NO. 2
 VT 78 STA.10+970.425 TO STA.12+059.775
 TOWNS OF ALBURG AND SWANTON
 COUNTIES OF GRAND ISLE AND FRANKLIN
 STATE OF VERMONT, AGENCY OF TRANSPORTATION

STATE CONTRACT OR REF. NO. BRF-036-111

CONTRACTOR: CIAMBRO CORPORATION
 MADE BY: [Signature] CHK'D. BY: JSA DATE: 8-24-04

IN CHARGE: GLIDDEN (IH)

CONTRACT VT-01057-1 2&3 DRAWING 112 OF 112

SHOP NOTE
 HOLES: 1 1/16" (U.N.)
 BOLTS: NONE
 PAINT: SEE DWG. GNI
 FOR GENERAL SHOP NOTES, SEE DWG. GNI.