

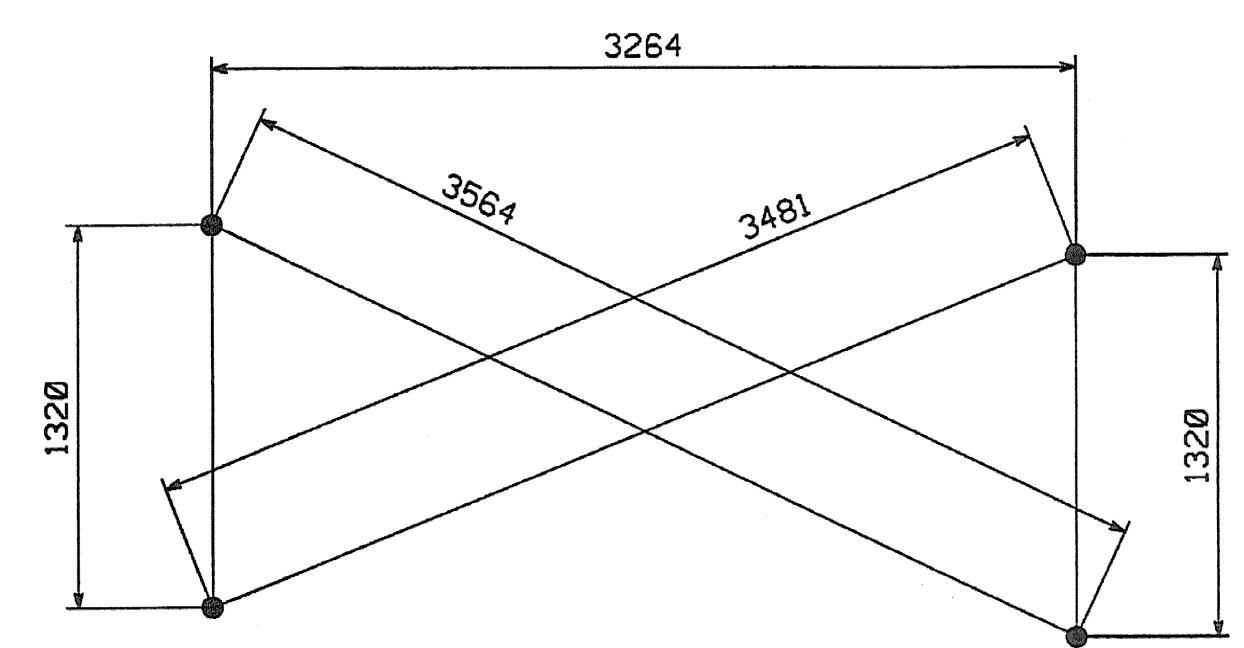
METRIC

METRIC 1. ALL DIMENSIONS ARE IN MILLIMETERS UNLESS OTHERWISE NOTED.  
2. ALL WEIGHTS ARE IN KILOGRAMS.

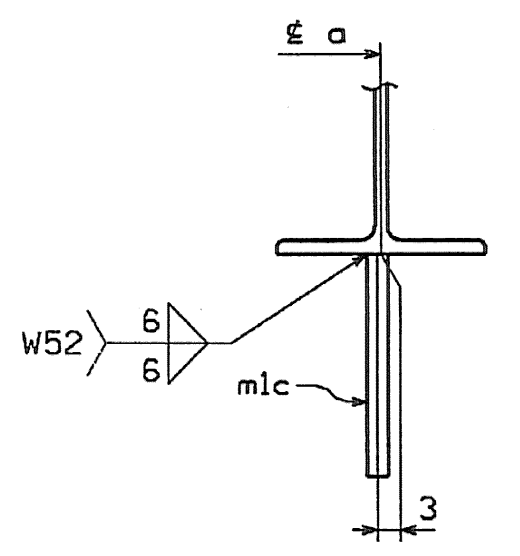
FED. ROAD DIV. NO.	STATE	FED. AID PROJ. NO.
	VT	



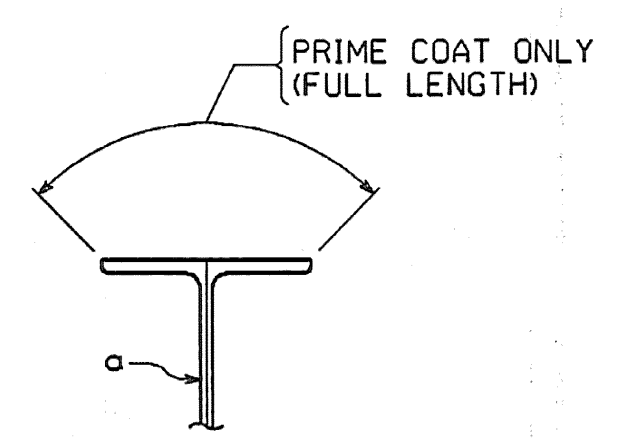
END CROSSFRAME ~ MK. CF5



CHECK DIMENSIONS



SECTION A



SECTION B

SHIPMENT			BILL OF MATERIAL							
1	2	3	NO.	MARK	DESCRIPTION	LENGTH	REMARKS	GRP.	ITEM	SHIP. WT. KG. EA.
ONE	ONE	ONE	3	CF5	CROSSFRAMES					411.62
			3	a	W360 x 79	3 358	(W14 x 53)	11	1	265.28
			6	b	L76 x 76 x 7.9	3 120	(L3 x 3 x 5/16)	11	7	28.05
			12	c	L76 x 76 x 7.9	1 680	(L3 x 3 x 5/16)	11	7	15.10
			6	m1a	PL 14 x 155	290		11	9	4.94
			3	m1b	PL 14 x 250	450		11	9	12.36
			6	m1c	PL 14 x 150	230		11	9	3.79
TOTAL WEIGHT THIS SHEET:							1234.86	kgs	JMR 7-21-06	

SHIP. 1 WT~411.62 kgs UNIT 1  
 SHIP. 2 WT~411.62 kgs UNIT 3  
 SHIP. 3 WT~411.62 kgs UNIT 2  
 Total 3

**SHOP DRAWING REVIEW**

REVIEWED AS REQUIRED BY THE CONSTRUCTION CONTRACT DOCUMENTS AND APPROVED, BUT ONLY FOR COMPLIANCE TO THE DESIGN PORTION OF THE WORK, AND SUBJECT TO FURTHER LIMITATIONS AND REQUIREMENTS CONTAINED IN THE CONSTRUCTION CONTRACT DOCUMENTS.

REJECTED  REVISION AS REQUIRED  REVISION AS CORRECTED

CONTRACTOR'S RESPONSIBILITY: THE CONTRACTOR SHALL BE RESPONSIBLE FOR THE REVIEW AND RELIANCE ON THE SHOP DRAWINGS. THE CONTRACTOR SHALL BE RESPONSIBLE FOR THE REVIEW AND RELIANCE ON THE SHOP DRAWINGS. THE CONTRACTOR SHALL BE RESPONSIBLE FOR THE REVIEW AND RELIANCE ON THE SHOP DRAWINGS.

Reviewed By: *[Signature]*  
 Date: 11/11/04

**SHOP NOTE**  
 HOLES: 1 5/16" (U.N.)  
 BOLTS: NONE  
 PAINT: SEE DWG. GNI  
 FOR GENERAL SHOP NOTES, SEE DWG. GNI.

NO.	REVISION	BY	DATE
<p>1770 Hempstead Road          Lancaster, PA 17605-0008          Phone 717/299-5211</p> <p><b>HIGH STEEL STRUCTURES, INC.</b></p> <p>A Division of High Industries, Inc.</p>			
CROSSFRAME CF5			
VT 78 OVER MISSISSQUOI BAY, BRIDGE NO. 2			
VT 78 STA.10+970.425 TO STA.12+059.775			
TOWNS OF ALBURG AND SWANTON			
COUNTIES OF GRAND ISLE AND FRANKLIN			
STATE OF VERMONT, AGENCY OF TRANSPORTATION			
STATE CONTRACT OR REF. NO. BRF-036-1(1)			
CONTRACTOR CIAMBRO CORPORATION			
IN CHARGE: GLIDDEN (IH) MADE BY: ERS CHK'D. BY: JSA DATE: 8-24-04			
CONTRACT NUMBER: VT-04057-1,2&3 DRAWING NUMBER: 107 OF 112			

BY: eshafter  
 PLOTTED: 08/26/2004 08:24:44 AM