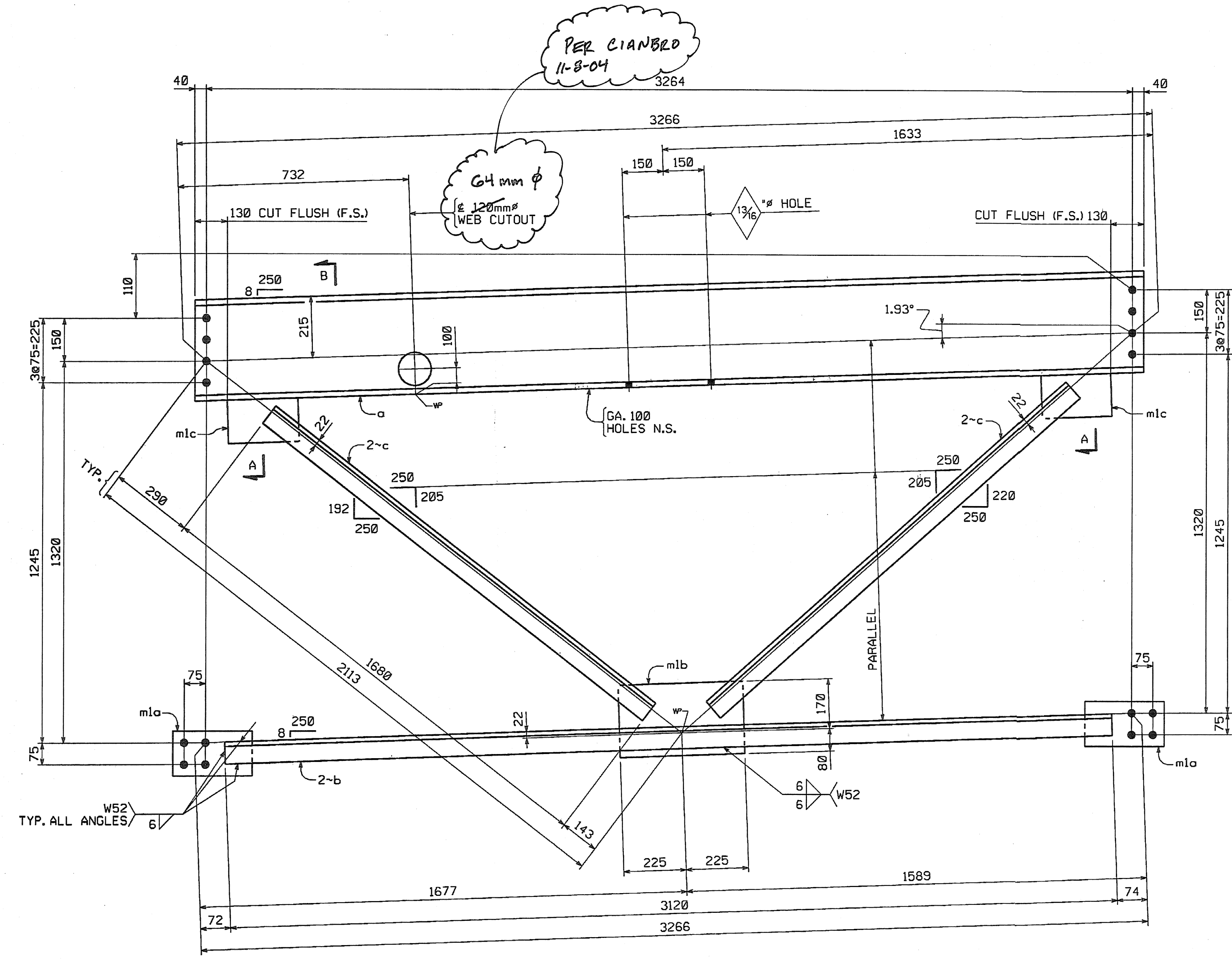


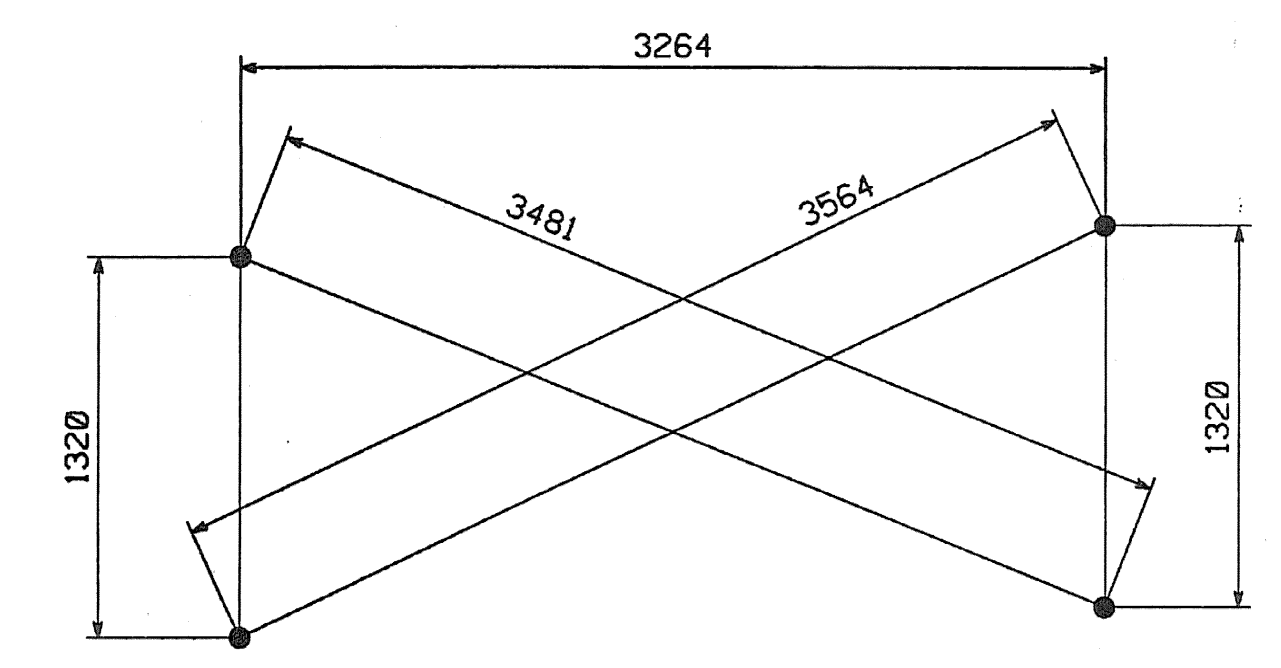
METRIC

METRIC 1. ALL DIMENSIONS ARE IN MILLIMETERS UNLESS OTHERWISE NOTED. 2. ALL WEIGHTS ARE IN KILOGRAMS.

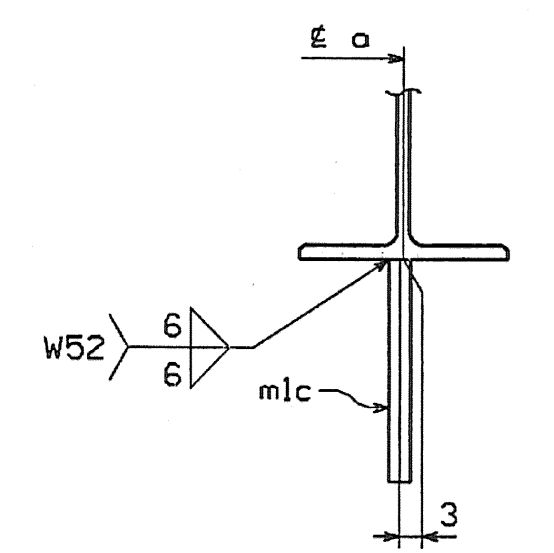
FED. ROAD DIV. NO.	STATE	FED. AID PROJ. NO.
	VT	



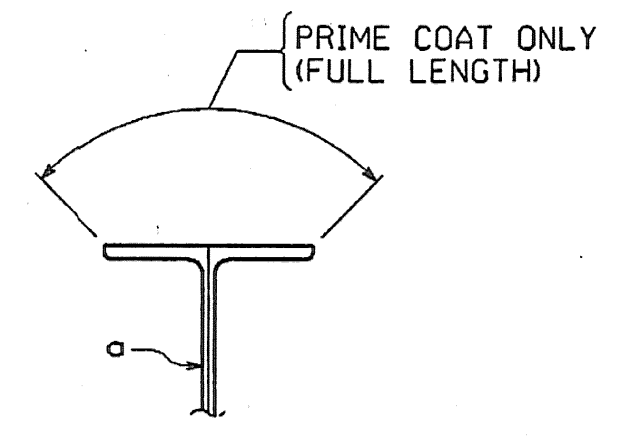
END CROSSFRAME ~ MK. CF4



CHECK DIMENSIONS



SECTION A



SECTION B

SHIPMENT		
1	2	3
ONE	ONE	ONE

BILL OF MATERIAL										
NO.	MARK	DESCRIPTION	LENGTH	REMARKS	GRP.	ITEM	SHIP. WT. KG. EA.			
3	CF4	CROSSFRAMES					411.62	1234.86		
3	a	W360 x 79	3 358	(W14 x 53)	11	1	265.28			
6	b	L76 x 76 x 7.9	3 120	(L3 x 3 x 5/16)	11	7	28.05			
12	c	L76 x 76 x 7.9	1 680	(L3 x 3 x 5/16)	11	7	15.10			
6	m1a	PL 14 x 155	290		11	9	4.94			
3	m1b	PL 14 x 250	450		11	9	12.36			
6	m1c	PL 14 x 150	230		11	9	3.79			
TOTAL WEIGHT THIS SHEET:							1234.86	kgs	JMR 7-21-06	7.25.04

SHIP. 1 WT~411.62 kgs UNIT 1  
 SHIP. 2 WT~411.62 kgs UNIT 3  
 SHIP. 3 WT~411.62 kgs UNIT 2  
 Tot. 1 3

**SHOP DRAWING REVIEW**

REVIEWED AS REQUIRED BY THE CONSTRUCTION CONTRACT DOCUMENTS AND APPROVED, BUT ONLY FOR COMPLIANCE TO THE DESIGN CONCEPT OF THE WORK, AND SUBJECT TO FURTHER LIMITATIONS AND REQUIREMENTS CONTAINED IN THE CONSTRUCTION CONTRACT DOCUMENTS.

REJECTED  REVISE AND RESUBMIT  REVISE AS CORRECTED

CORRECTIONS OR COMMENTS MADE ON THE SHOP DRAWINGS DURING THIS REVIEW DO NOT RELIEVE CONTRACTOR FROM COMPLIANCE WITH REQUIREMENTS OF THE DRAWINGS AND SPECIFICATIONS. THIS CHECK IS ONLY FOR REVIEW OF GENERAL CONFORMANCE WITH THE DESIGN CONCEPT OF THE PROJECT AND GENERAL COMPLIANCE WITH THE INFORMATION GIVEN IN THE CONTRACT DOCUMENTS. THE CONTRACTOR IS RESPONSIBLE FOR QUALITY AND CORRELATING ALL QUANTITIES AND DIMENSIONS, SELECTING MATERIALS, METHODS AND TECHNIQUES OF CONSTRUCTION, COORDINATING HIS WORK WITH THAT OF ALL OTHER TRADES, AND PERFORMING HIS WORK IN A SAFE AND SATISFACTORY MANNER.

Vannase Hangen Dunstan, Inc.  
 Engineers, Planners, and Scientists  
 350 Bedford Farm, Woodford, VT 05149  
 Bedford, NH 03102 603 844 0888

Job Number: **SCB1**  
 Reviewed By: **BMH**  
 Date: **11/1/04**

NO.	REVISION	BY	DATE

**HIGH STEEL STRUCTURES, INC.**  
 1770 Hempstead Road  
 Lancaster, PA 17605-0008  
 Phone 717/299-5211  
 A Division of High Industries, Inc.

CROSSFRAME CF4  
 VT 78 OVER MISSISSQUOI BAY, BRIDGE NO. 2  
 VT 78 STA.10+970.425 TO STA.12+059.775  
 TOWNS OF ALBURG AND SWANTON  
 COUNTIES OF GRAND ISLE AND FRANKLIN  
 STATE OF VERMONT, AGENCY OF TRANSPORTATION

STATE CONTRACT OR REF. NO. **BRF-036-1(1)**  
 CONTRACTOR **CIANBRO CORPORATION**  
 IN CHARGE: **GLIDDEN (IH)** MADE BY: **ERS** CHK'D. BY: **JSA** DATE: **8-24-04**  
 CONTRACT NUMBER: **VT-04057-1,2&3** DRAWING NUMBER: **106 OF 112**

**SHOP NOTE**  
 HOLES: 1 5/16" (U.N.)  
 BOLTS: NONE  
 PAINT: SEE DWG. GNI  
 FOR GENERAL SHOP NOTES, SEE DWG. GNI.

BY: cshoffner  
 PLOTTED: 08/26/2004 09:21:41 AM