

METRIC

1. ALL DIMENSIONS ARE IN MILLIMETERS UNLESS OTHERWISE NOTED.
2. ALL WEIGHTS ARE IN KILOGRAMS.

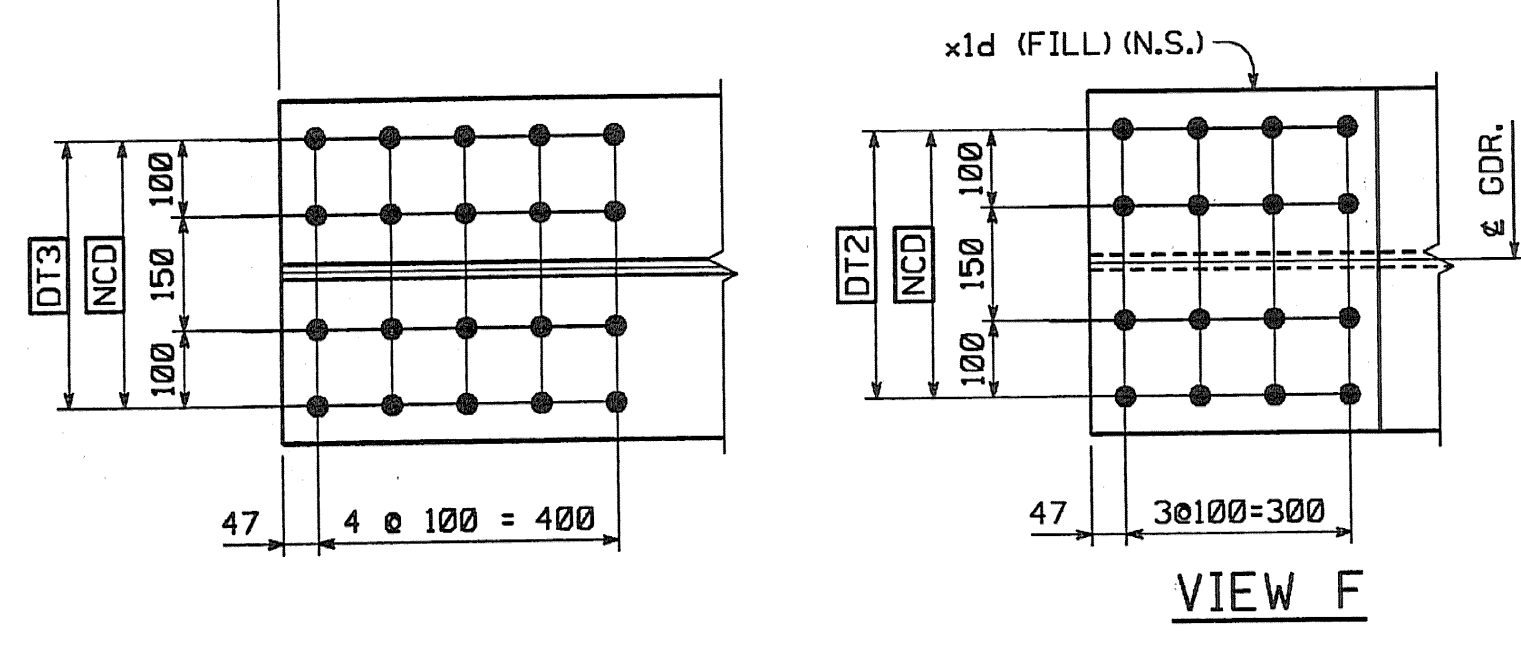
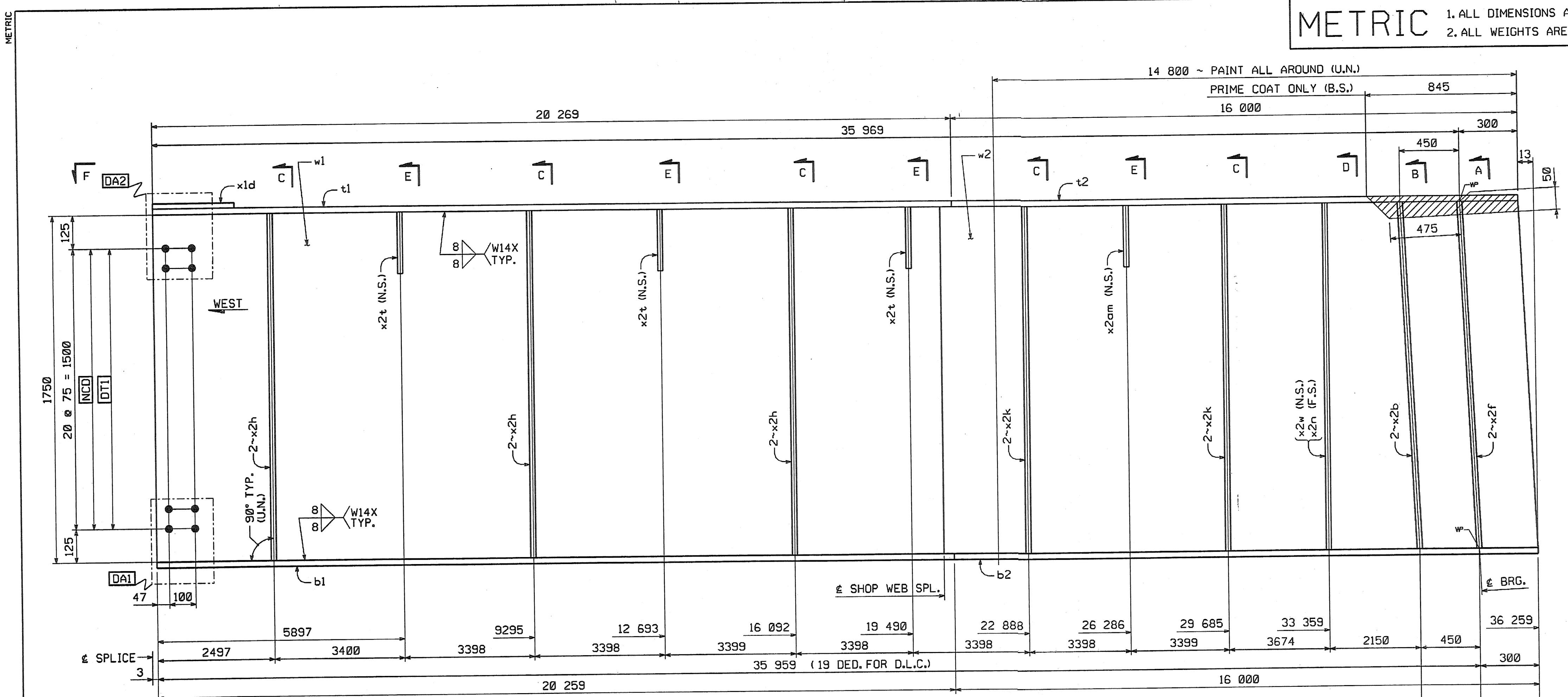
FED. ROAD DIV. NO.	STATE	FED. AID PROJ. NO.
	VT	

BILL OF MATERIAL

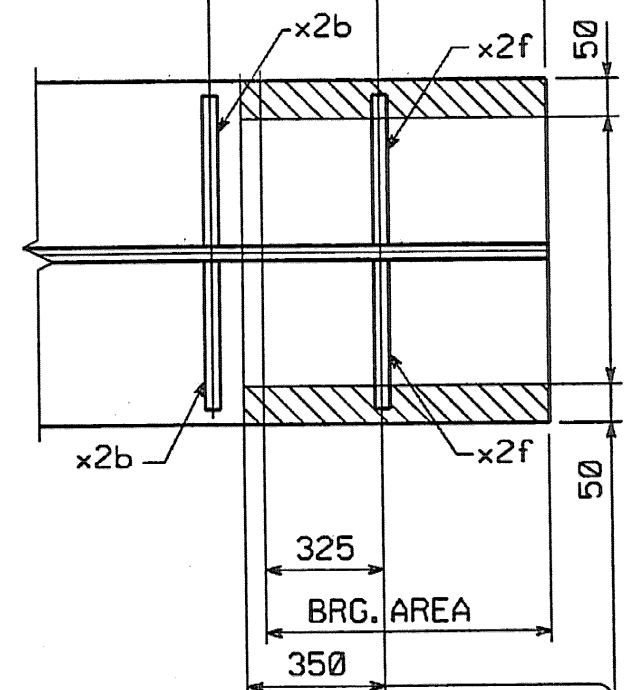
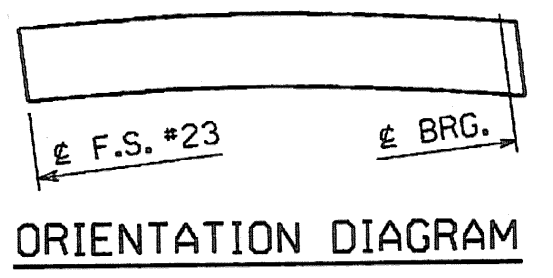
NO.	MARK	DESCRIPTION	LENGTH	REMARKS	GRP.	ITEM	SHIP. WT. KG. EA.
ONE	G11Z	GIRDER					16 570
1	w1	PL 16 x 1750	19 992 (T)		3	8	4393.74
1	w2	PL 16 x 1750	16 307 (T) 36264		3	11	3683.87
1	t1	PL 22 x 450	20 270 (T) 20269		4	27	1575.10
1	t2	PL 22 x 450	16 000 (T)		4	28	1243.30
1	b1	PL 40 x 450	20 260 (T) 20269		4	4	2862.41
1	b2	PL 40 x 450	16 000 (T)		4	5	2260.54
1	x1d	PL 18 x 450	392	FILL	6	4	24.92
2	x2b	PL 22 x 200	1750		7	2	60.44
2	x2f	PL 22 x 200	1750		7	2	60.44
6	x2h	PL 12 x 180	1750		7	4	29.67
4	x2k	PL 12 x 180	1750		7	4	29.67
1	x2n	PL 12 x 180	1750		7	4	29.67
3	x2l	PL 14 x 180	310		7	3	6.13
1	x2w	PL 12 x 180	1750		7	4	29.67
1	x2am	PL 14 x 180	310		7	3	6.13

TOTAL WEIGHT THIS SHEET: 16566.49 kgs

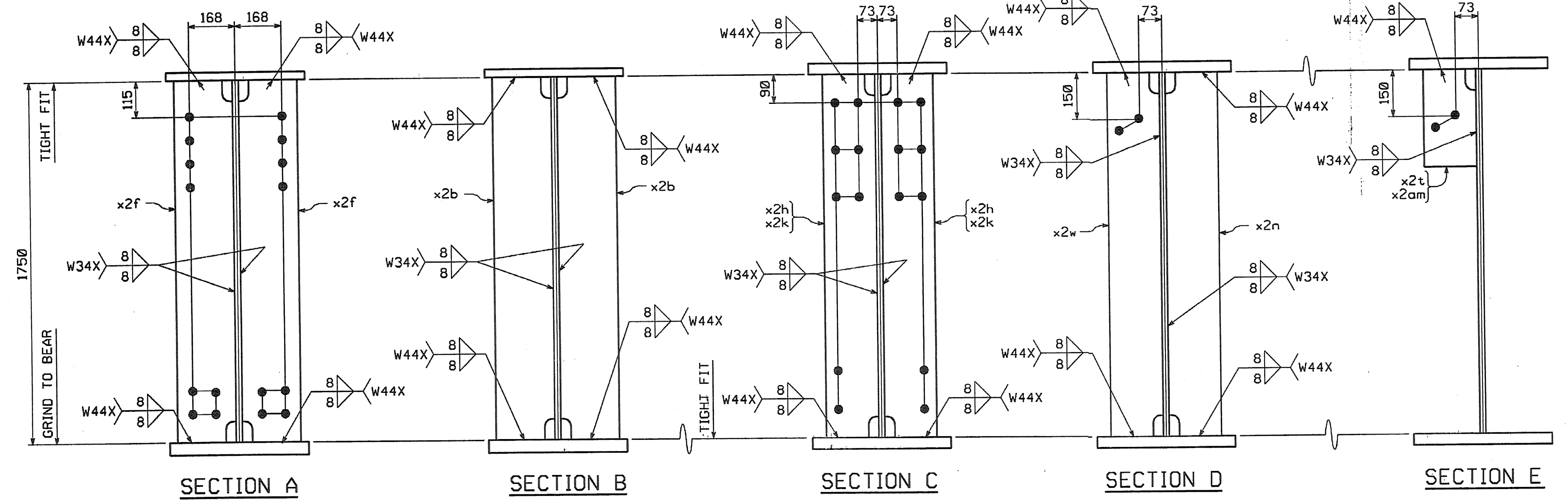
16560.19 kgs JMR 8-17-06 06-22-06



GIRDER ~ G11Z



LIGHT RUST PREVENTIVE COAT OF PRIMER BOTT. OF BOTT. FLG., EDGES & SHADED AREA (N.S.)



SHOP NOTE

HOLES: 1/8" DIA.
BOLTS: NONE
PAINT: SEE DWG. FOR GENERAL SHOP NOTES, SEE DWG. FOR WEB CAMBER DIAGRAM, SEE DWG. FOR...

SHOP DRAWING REVIEW

APPROVED BY: [Signature]

DATE: 8/17/06

NO.	REVISION	BY	DATE

HIGH STEEL STRUCTURES, INC.

1770 Hempstead Road
Lancaster, PA 17605-0008
Phone 717/299-5211

GIRDER G11Z

VT 78 OVER MISSISSQUOI BAY, BRIDGE NO. 2
VT 78 STA.10+970.425 TO STA.12+059.775
TOWNS OF ALBURG AND SWANTON
COUNTIES OF GRAND ISLE AND FRANKLIN
STATE OF VERMONT, AGENCY OF TRANSPORTATION

STATE CONTRACT OR REF. NO. BRF-036-1(1)

CONTRACTOR CIAMBRO CORPORATION

IN CHARGE: GLIDDEN (IH) MADE BY: ERS CHK'D BY: CS DATE: 8-25-04

CONTRACT NUMBER: VT-04057-3 DRAWING NUMBER: 103 OF 112

BY: cshoffar
PLOTTER: 08/26/2004 09:21:32 AM