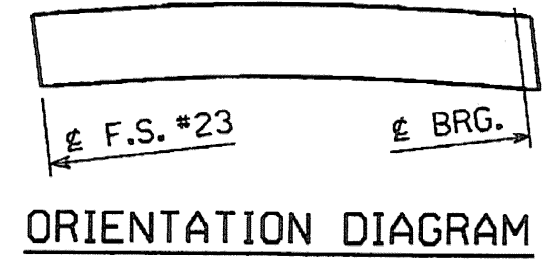
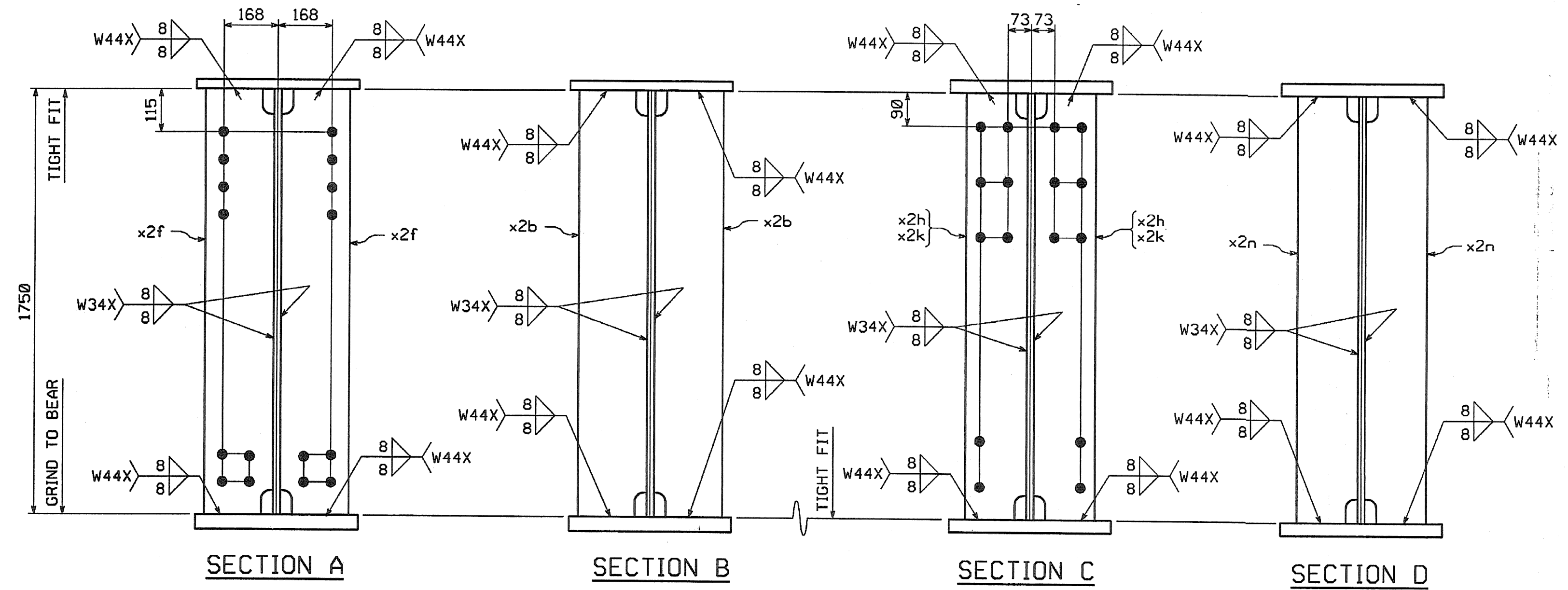
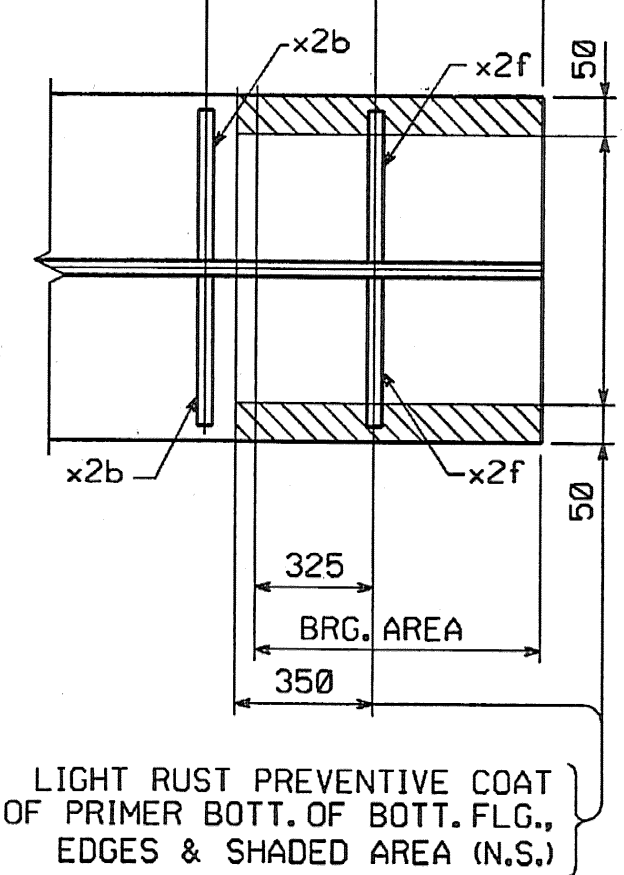
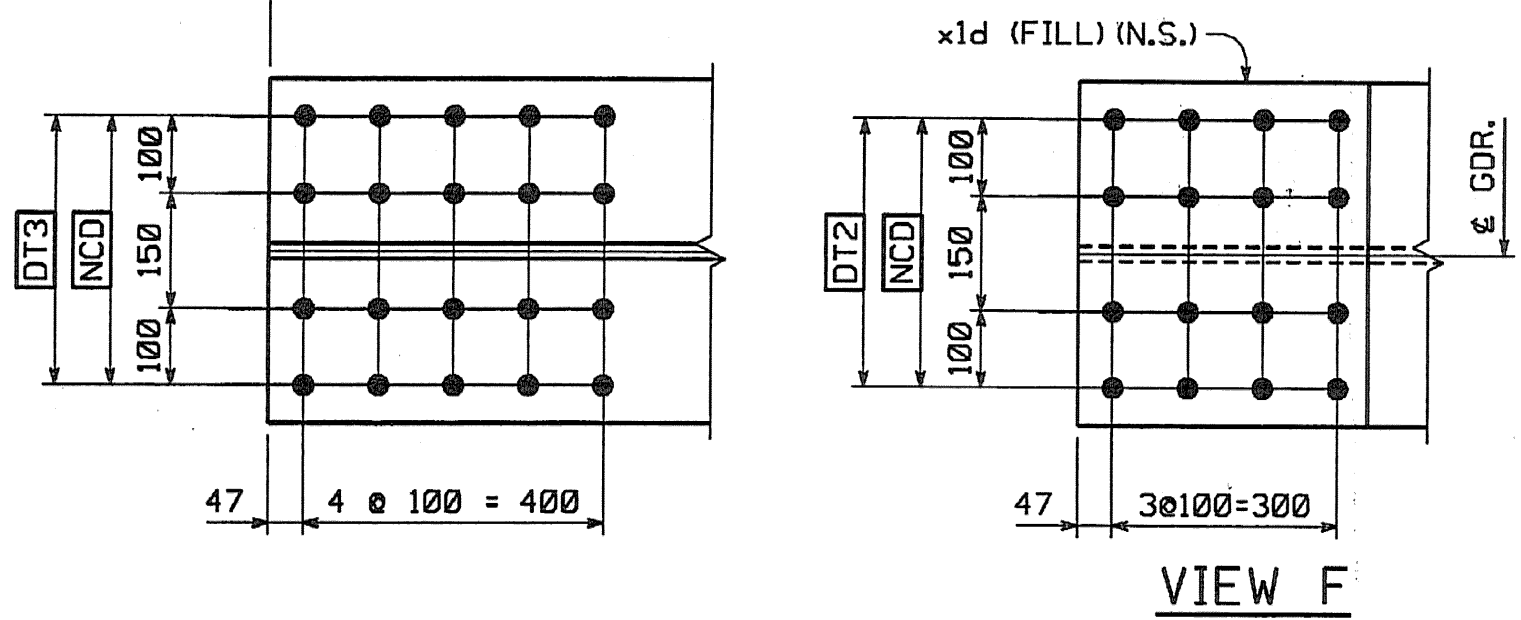
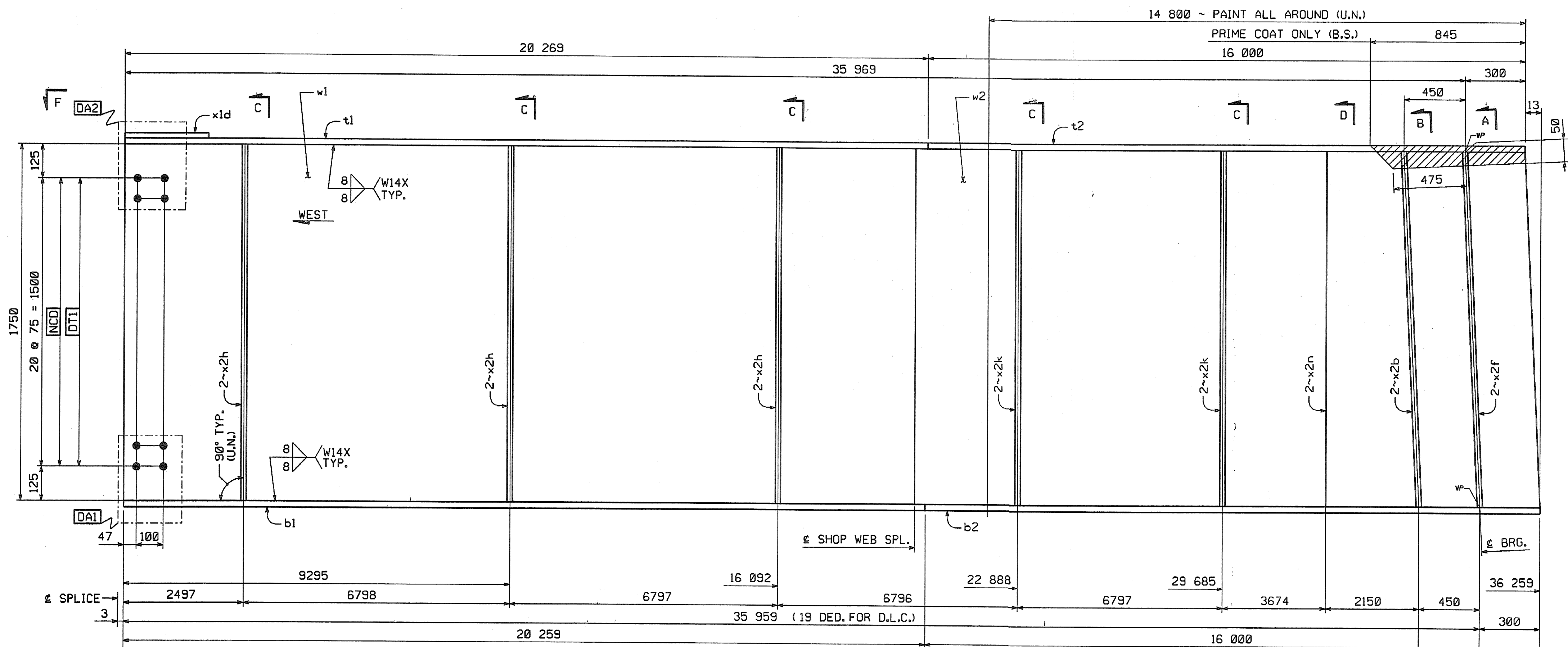


METRIC 1. ALL DIMENSIONS ARE IN MILLIMETERS UNLESS OTHERWISE NOTED.
2. ALL WEIGHTS ARE IN KILOGRAMS.

FED. ROAD DIST. NO.	STATE	FED. AID PROJ. NO.
	VT	

BILL OF MATERIAL							
NO.	MARK	DESCRIPTION	LENGTH	REMARKS	GRP.	ITEM	SHIP. WT. KG. EA.
ONE	G10Z	GIRDER					16 550
1	w1	PL 16 x 1750	19 992	(T)	3	8	4393.74
1	w2	PL 16 x 1750	16 307	(T)	3	11	3589.87
1	t1	PL 22 x 450	20 270	(T)	4	27	1576.10
1	t2	PL 22 x 450	16 000	(T)	4	28	1243.30
1	b1	PL 40 x 450	20 260	(T)	4	4	2862.41
1	b2	PL 40 x 450	16 000	(T)	4	5	2260.54
1	x1d	PL 18 x 450	392	FILL	6	4	24.92
2	x2b	PL 22 x 200	1 750		7	2	60.44
2	x2f	PL 22 x 200	1 750		7	2	60.44
6	x2h	PL 12 x 180	1 750		7	4	29.67
4	x2k	PL 12 x 180	1 750		7	4	29.67
2	x2n	PL 12 x 180	1 750		7	4	29.67

TOTAL WEIGHT THIS SHEET: 16541.67 kgs
 16535.67 kgs
 INITIAL
 SMT
 8-17-06
 08-22-06



SHOP NOTE
 HOLES: 15/16" #
 BOLTS: NONE
 PAINT: SEE DWG. GNI
 FOR GENERAL SHOP NOTES, SEE DWG. GNI.
 FOR WEB CAMBER DIAGRAM, SEE DWG. WC4.

SHOP DRAWING REVIEW

REVIEWED AS REQUIRED BY THE CONSTRUCTION CONTRACT DOCUMENTS AND APPROVED, BUT ONLY FOR CONFORMANCE TO THE DESIGN CONCEPT OF THE WORK, AND SUBJECT TO FURTHER LIMITATIONS AND REQUIREMENTS CONTAINED IN THE CONSTRUCTION CONTRACT DOCUMENTS.

REJECTED REVISE AND RESUBMIT FURNISH AS CORRECTED

CORRECTIONS OR COMMENTS MADE ON THE SHOP DRAWINGS DURING THIS REVIEW DO NOT RELIEVE CONTRACTOR FROM COMPLIANCE WITH REQUIREMENTS OF THE DRAWINGS AND SPECIFICATIONS. THIS CHECK IS ONLY FOR REVIEW OF GENERAL CONFORMANCE WITH THE DESIGN CONCEPT OF THE PROJECT AND GENERAL COMPLIANCE WITH THE INFORMATION GIVEN IN THE CONTRACT DOCUMENTS. THE CONTRACTOR IS RESPONSIBLE FOR CONFIRMING AND CONTROLLING ALL DIMENSIONS AND CONDITIONS; SELECTING FABRICATION PROCESSES AND TECHNIQUES OF CONSTRUCTION; COORDINATING HIS WORK WITH THAT OF ALL OTHER TRADES; AND PERFORMING HIS WORK IN A SAFE AND SATISFACTORY MANNER.

VHIB Vonzaso Hangen Brustlin, Inc.
 Engineers, Planners, and Scientists
 60 Bedford Farms, Milton Rd.
 Bedford, NH 03110, 603.644.0800

Job Number: S0411
 Reviewed By: [Signature]
 Date: 11/1/04

NO.	REVISION	BY	DATE

HIGH STEEL STRUCTURES, INC.
 1770 Hempstead Road
 Lancaster, PA 17603-0008
 Phone 717/299-5211
 A Division of High Industries, Inc.

GIRDER G10Z
 VT 78 OVER MISSISSQUOI BAY, BRIDGE NO. 2
 VT 78 STA.10+970.425 TO STA.12+059.775
 TOWNS OF ALBURG AND SWANTON
 COUNTIES OF GRAND ISLE AND FRANKLIN
 STATE OF VERMONT, AGENCY OF TRANSPORTATION

STATE CONTRACT OR REF. NO.: BRF-036-1(1)
 CONTRACTOR: CIAMBRO CORPORATION
 IN CHARGE: CLIDDEN (IH) MADE BY: ERS CHK'D BY: CS DATE: 8-25-04
 CONTRACT NUMBER: VT-04057-3 DRAWING NUMBER: 102 OF 112

BY: caboffar
 PLOTTED: 08/26/2004 09:21:29 AM

CODE:30