

METRIC 1. ALL DIMENSIONS ARE IN MILLIMETERS UNLESS OTHERWISE NOTED.
2. ALL WEIGHTS ARE IN KILOGRAMS.

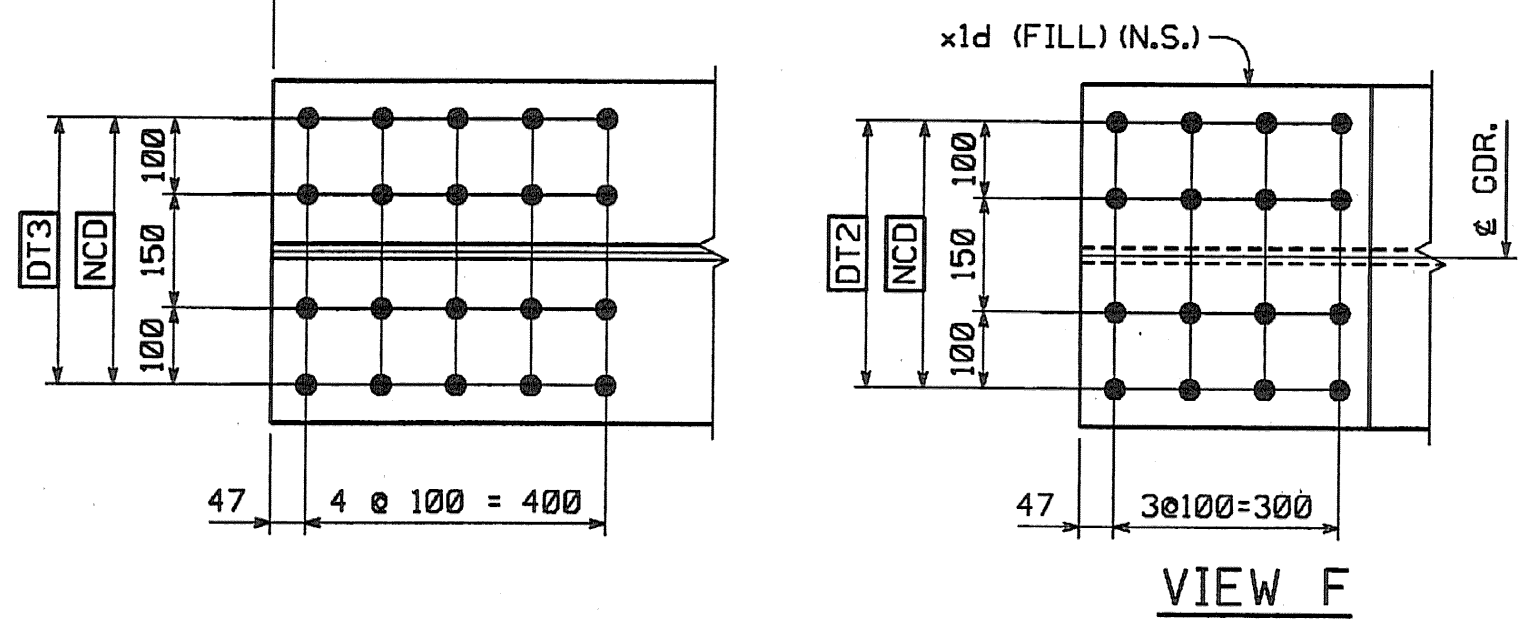
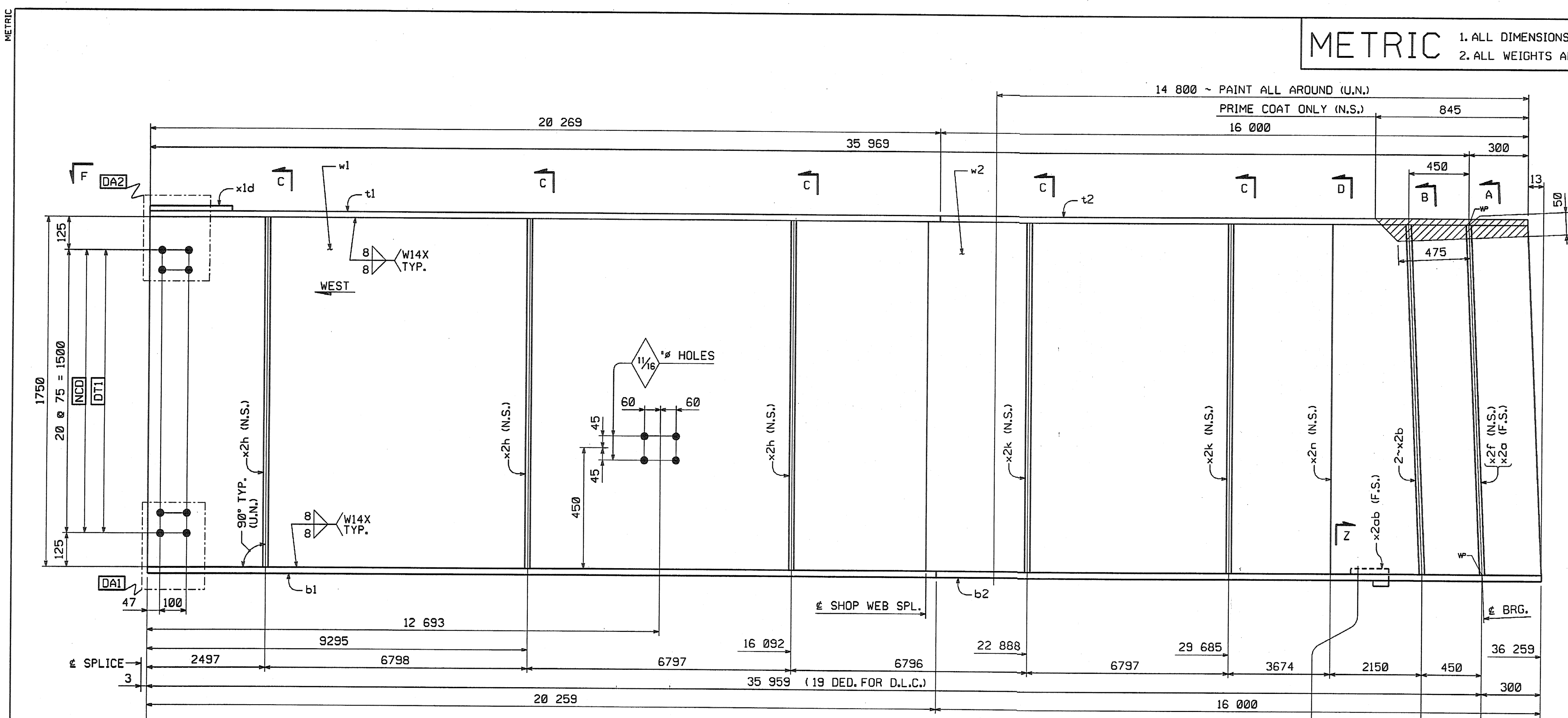
FED. ROAD DIV. NO.	STATE	FED. AID PROJ. NO.
	VT	

BILL OF MATERIAL

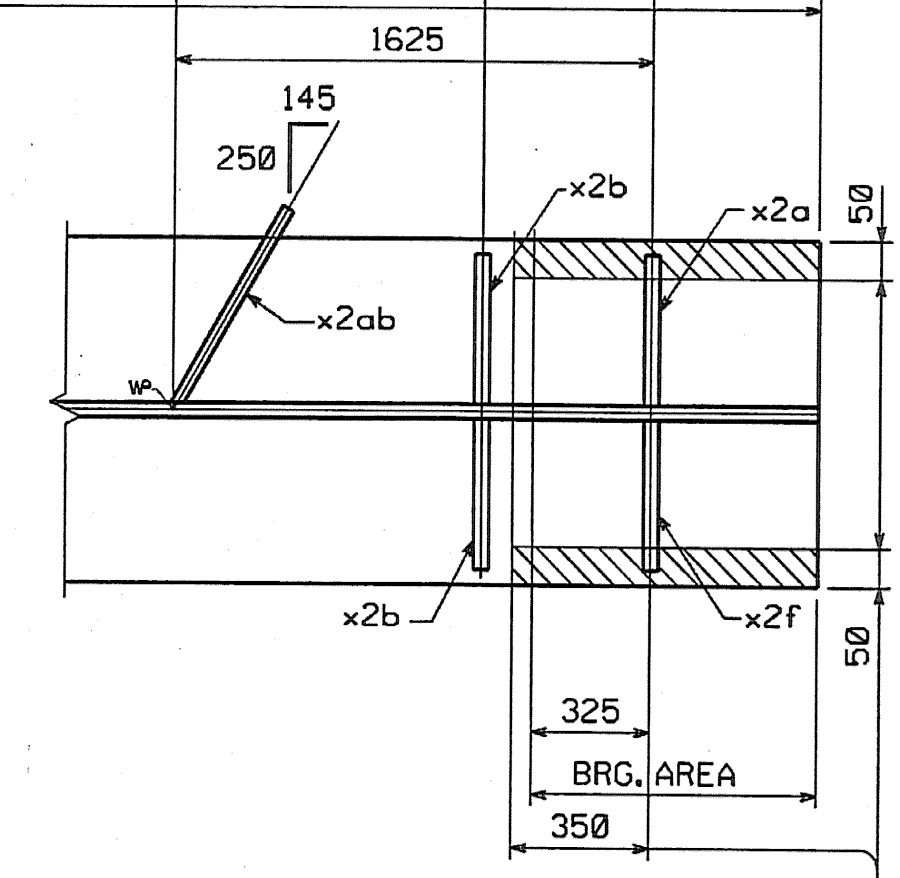
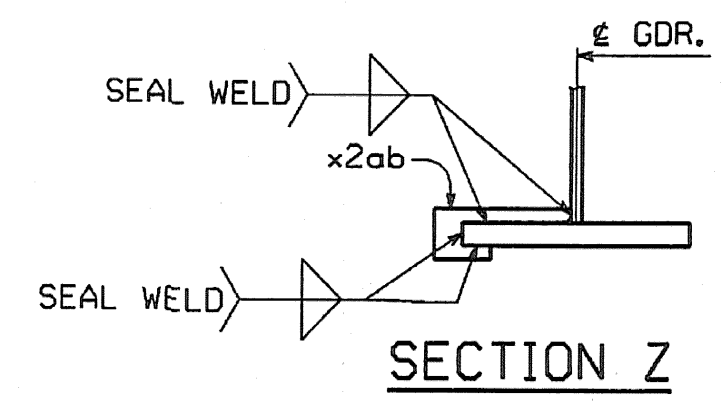
NO.	MARK	DESCRIPTION	LENGTH	REMARKS	GRP.	ITEM	SHIP. WT. KG. EA.
ONE	G9Z	GIRDER					16 370
1	w1	PL 16 x 1750	19 992	(T)	3	8	4393.74
1	w2	PL 16 x 1750	16 307	(T)	3	11	3689.87
1	t1	PL 22 x 450	20 270	(T)	4	27	1575.10
1	t2	PL 22 x 450	16 000	(T)	4	28	1243.30
1	b1	PL 40 x 450	20 260	(T)	4	4	2862.41
1	b2	PL 40 x 450	16 000	(T)	4	5	2260.54
1	x1d	PL 18 x 450	392	FILL	6	4	24.92
1	x2a	PL 22 x 200	1 750		7	2	60.44
2	x2b	PL 22 x 200	1 750		7	2	60.44
1	x2f	PL 22 x 200	1 750		7	2	60.44
3	x2h	PL 12 x 180	1 750		7	4	29.67
2	x2k	PL 12 x 180	1 750		7	4	29.67
1	x2n	PL 12 x 180	1 750		7	4	29.67
1	x2ab	PL 6 x 90	301		7	5	4.28

TOTAL WEIGHT THIS SHEET: 46364.92 kgs

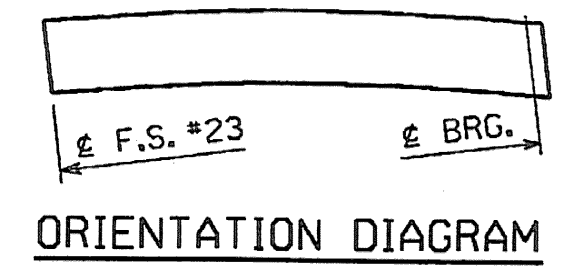
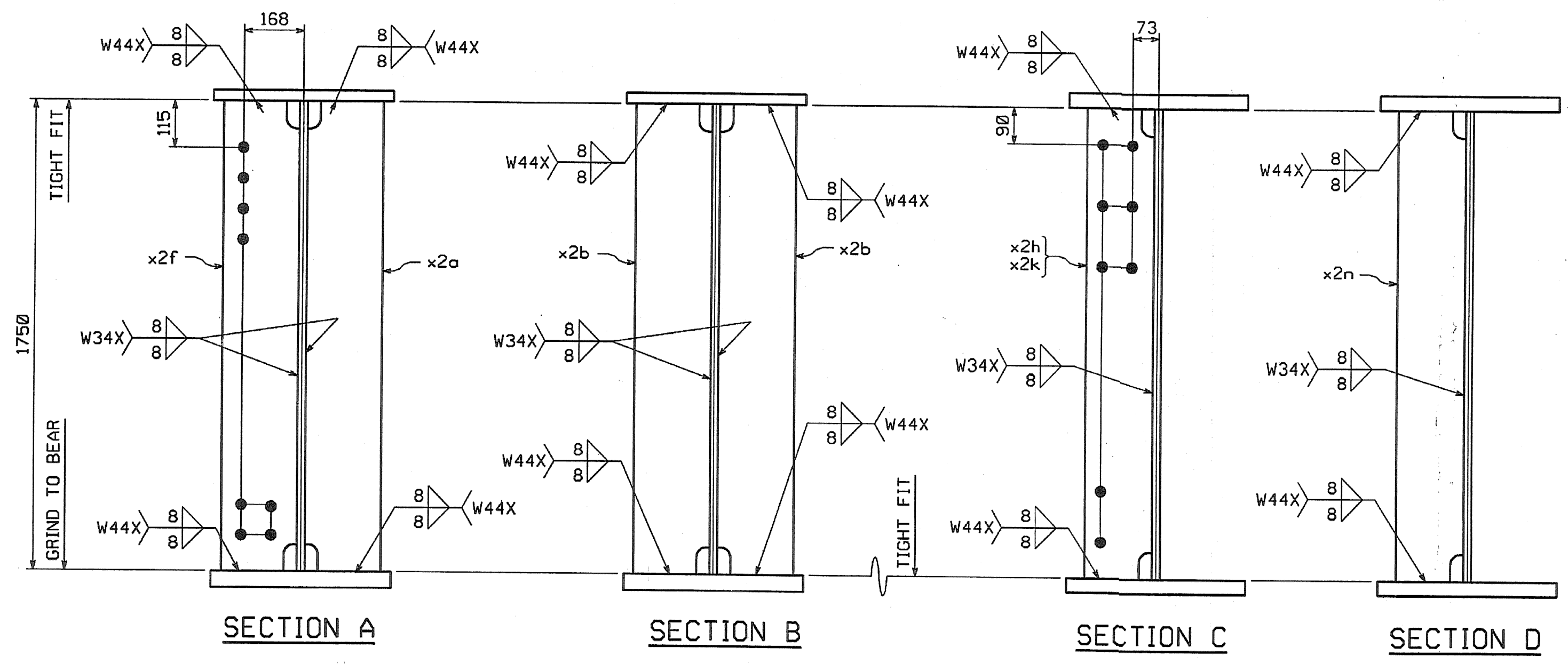
* SEE SHEET 101 OF 112
16358.21 kg
JML 8-17-06
08-22-06



GIRDER ~ G9Z



LIGHT RUST PREVENTIVE COAT OF PRIMER BOTT. OF BOTT. FLG., EDGES & SHADED AREA (N.S.)



SHOP NOTE
HOLES: 1/16" (U.N.)
BOLTS: NONE
PAINT: SEE DWG. GNI
FOR GENERAL SHOP NOTES, SEE DWG. GNI.
FOR WEB CAMBER DIAGRAM, SEE DWG. WC4.

SHOP DRAWING REVIEW

REVIEWED AS REQUIRED BY THE CONSTRUCTION CONTRACT DOCUMENTS AND APPROVED, BUT ONLY FOR CONFORMANCE TO THE DESIGN CONCEPT OF THE WORK, AND SUBJECT TO FURTHER LIMITATIONS AND REQUIREMENTS CONTAINED IN THE CONSTRUCTION CONTRACT DOCUMENTS.

REJECTED REVISE AND RESUBMIT FORWARDED AS CORRECTED

CONTRACTOR OR CONSULTANT (NAME ON THE SHOP DRAWING) HAS REVIEWED THIS DRAWING FOR CONFORMANCE WITH THE DESIGN CONCEPT OF THE PROJECT AND HAS REVIEWED THE INFORMATION PROVIDED IN THE CONTRACT DOCUMENTS. THE CONTRACTOR IS RESPONSIBLE FOR CORRECTING AND CORRELATING ALL DIMENSIONS AND DIMENSIONS, SELECTING APPROPRIATE TRADES AND TECHNIQUES OF CONSTRUCTION, COORDINATING HIS WORK WITH THAT OF ALL OTHER TRADES, AND PERFORMING HIS WORK IN A SAFE AND SATISFACTORY MANNER.

Vanasse Hangen Brustlin, Inc.
Engineers, Planners, and Scientists
50 Bedford Farms, Milbo Rd.
Bedford, NH 03110 603 644 0888

Job Number: 50911
Reviewed By: [Signature]
Date: 11/1/04

NO.	REVISION	BY	DATE

HIGH STEEL STRUCTURES, INC.
1170 Hampstead Road
Lancaster, PA 17603-0008
Phone 717/299-5211
A Division of High Industrial, Inc.

GIRDER G9Z
VT 78 OVER MISSISSQUOI BAY, BRIDGE NO. 2
VT 78 STA.10+970.425 TO STA.12+059.775
TOWNS OF ALBURG AND SWANTON
COUNTIES OF GRAND ISLE AND FRANKLIN
STATE OF VERMONT, AGENCY OF TRANSPORTATION

STATE CONTRACT OR REF. NO. BRF-036-1(1)
CONTRACTOR CIAMBRO CORPORATION
IN CHARGE: GLIDDEN (IH) MADE BY: EES CHK'D. BY: CS DATE: 8-25-04
CONTRACT NUMBER: VT-04057-3 DRAWING NUMBER: 101 OF 112