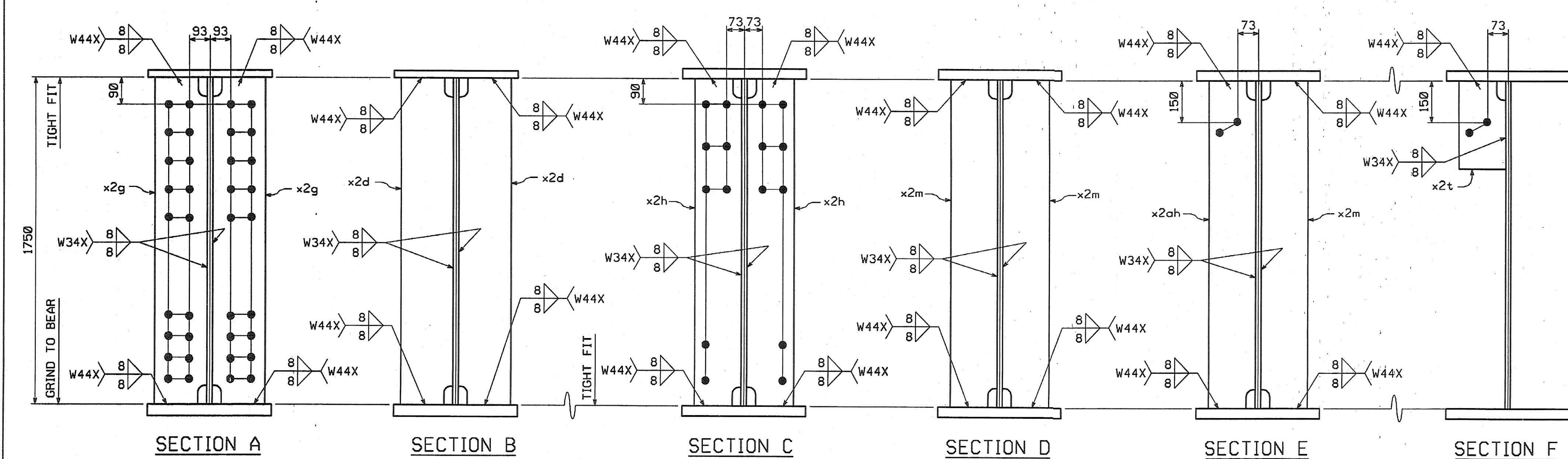
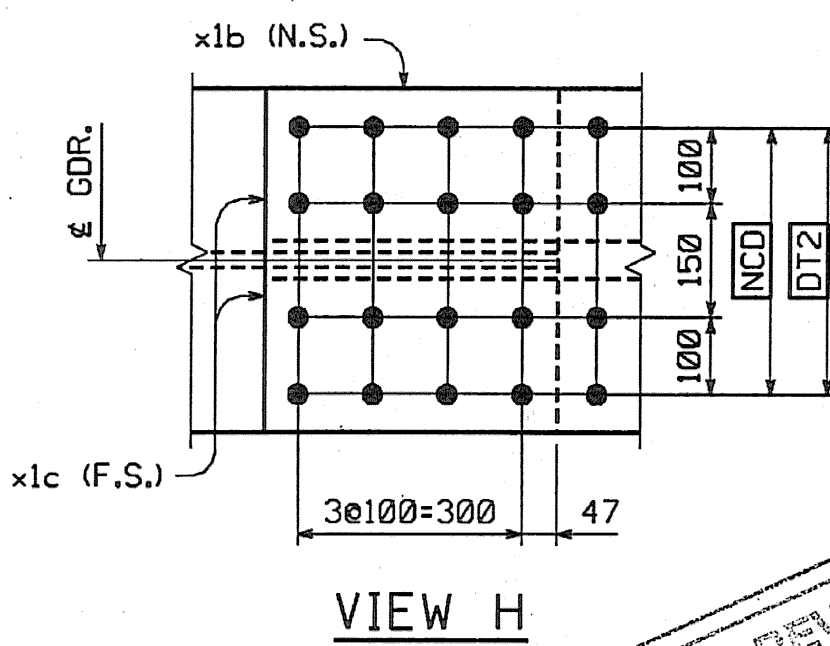
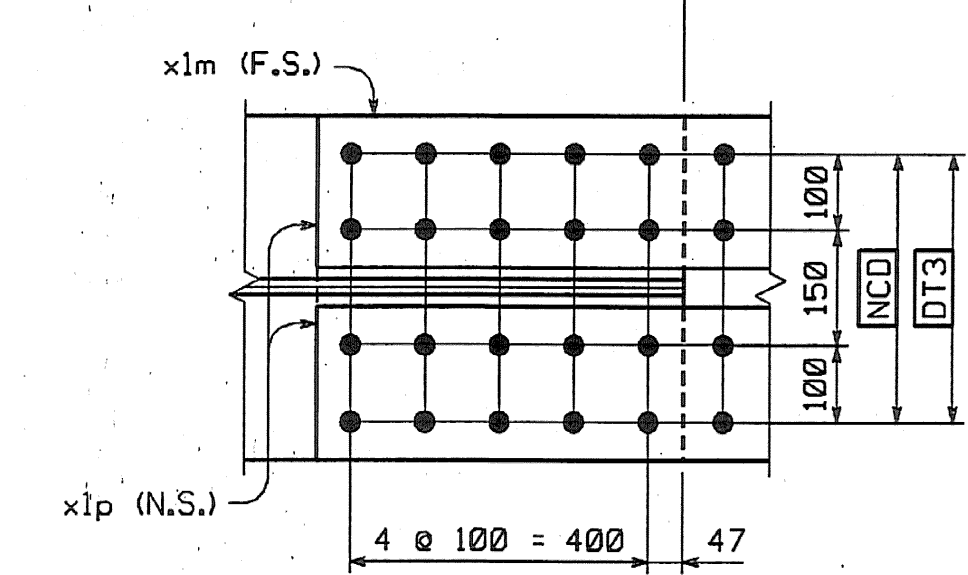
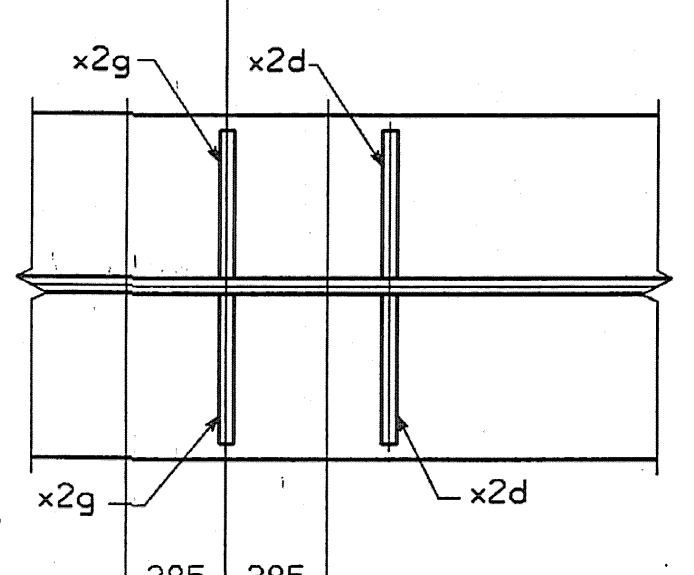
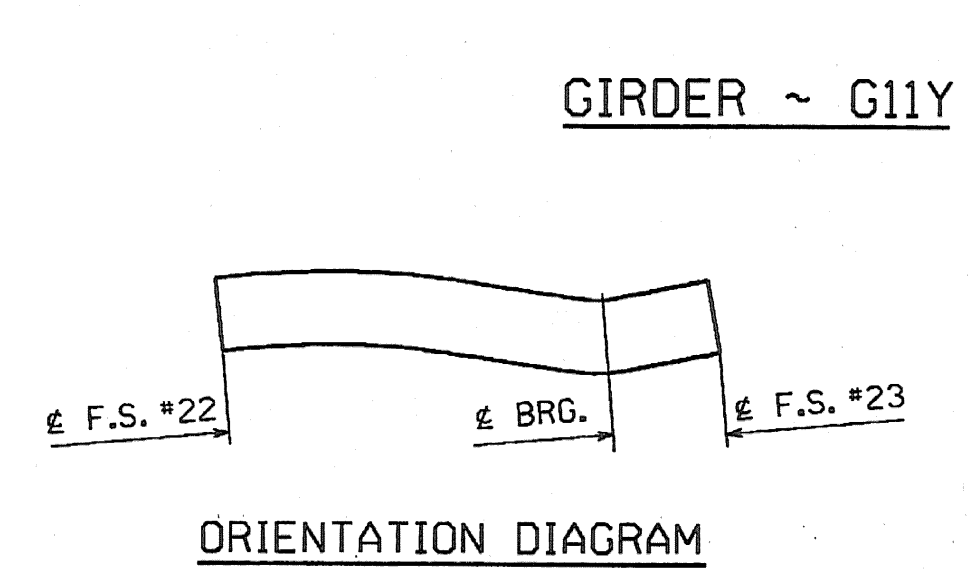
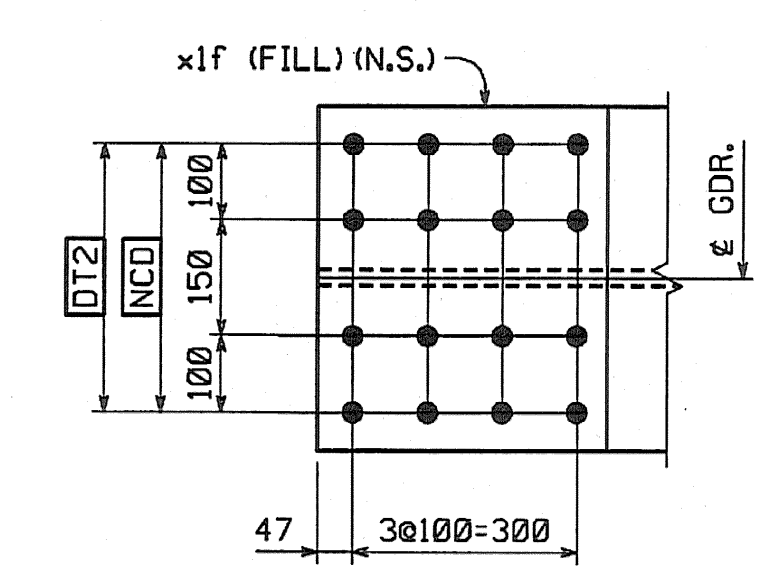
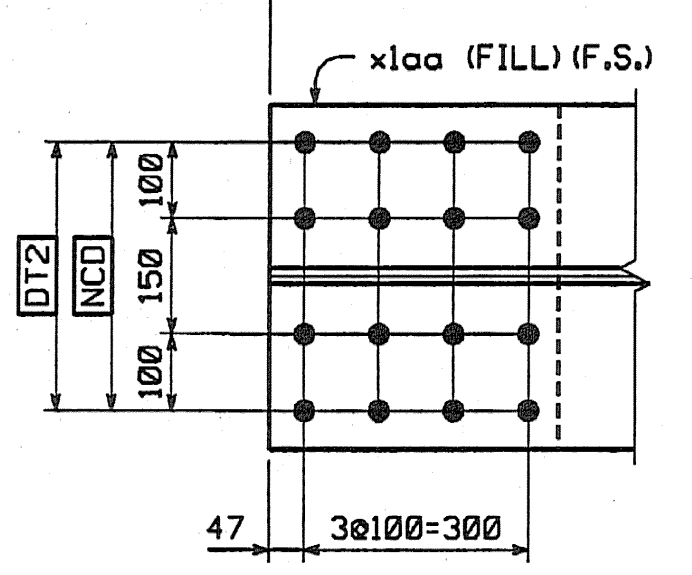
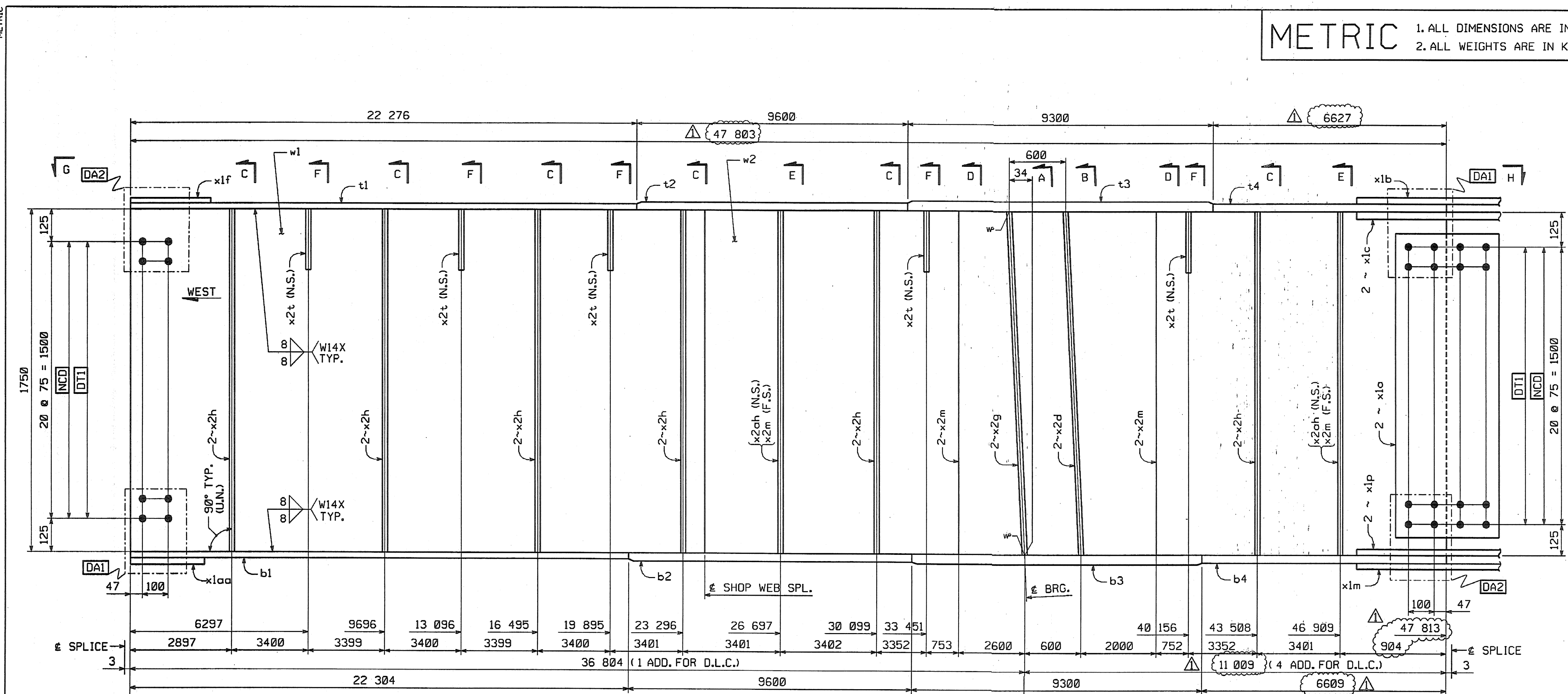


**METRIC** 1. ALL DIMENSIONS ARE IN MILLIMETERS UNLESS OTHERWISE NOTED.  
2. ALL WEIGHTS ARE IN KILOGRAMS.

FED. ROAD DIV. NO.	STATE	FED. AID PROJ. NO.
	VT	

BILL OF MATERIAL										
NO.	MARK	DESCRIPTION	LENGTH	REMARKS	GRP.	ITEM	SHIP. WT.			
ONE	G11Y	GIRDER					25 210			
1	w1	PL 16	x 1750	23 812 (T)	3	6	5233.28			
1	w2	PL 16	x 1750	24 040 (T) 4780B	3	1	5276.79	10508.20		
1	t1	PL 22	x 450	22 276 (T)	4	25	4730.98	1731.18		
1	t2	PL 40	x 450	9 600 (T)	4	8	4356.32	1356.40		
1	t3	PL 80	x 450	9 300 (T)	4	1	2627.88	2628.18		
1	t4	PL 40	x 450	6 628 (T)	4	10	936.43	436.40		
1	b1	PL 22	x 450	22 304 (T)	4	23	1733.16	1733.36		
1	b2	PL 40	x 450	9 600 (T)	4	8	4356.32	1356.40		
1	b3	PL 80	x 450	9 300 (T)	4	1	2627.88	2628.18		
1	b4	PL 40	x 450	6 610 (T)	4	11	933.89	933.85		
2	x1a	PL 12	x 1600	400 (T)	6	1	60.26	120.52		
1	x1b	PL 14	x 450	790 (T)	6	6	39.06	234.36		
2	x1c	PL 16	x 200	790 (T)	6	5	19.84	99.20		
1	x1f	PL 10	x 450	392 FILL	6	7	13.85	82.95		
1	x1m	PL 18	x 450	990 (T)	6	3	62.94	188.82		
2	x1p	PL 20	x 200	990 (T)	6	2	31.08	62.17		
1	x1aa	PL 10	x 450	392 FILL	6	7	13.85	82.95		
2	x2d	PL 38	x 200	1750	7	1	104.39	208.78		
2	x2g	PL 38	x 200	1750	7	1	104.39	208.78		
12	x2h	PL 12	x 180	1750	7	4	29.67	356.08		
6	x2m	PL 12	x 180	1750	7	4	29.67	178.04		
5	x2t	PL 14	x 180	310	7	3	6.43	30.66		
2	x2ah	PL 12	x 180	1750	7	4	29.67	59.35		
<b>TOTAL WEIGHT THIS SHEET:</b>							<b>25 206.66</b>	<b>kgs</b>		



**SHOP NOTE - TOP DRAWING REVIEW**

HOLES: 1/2"  
BOLTS: NONE  
PAINT: NONE

FOR GENERAL SHOP NOTES, SEE DWG. G11Y  
FOR WEB CAMBER DIAGRAM, SEE DWG. W64

DATE: 11/10/04

NO.	REVISION	BY	DATE
<p>INCREASE LENGTHS TO SATISFY REQUIREMENTS FOR LENGTH &amp; MEAN TEMPERATURE OF 45°F.</p>			
<p>CONTRACTOR: CIAMBRO CORPORATION</p>			
<p>IN CHARGE: GLIDDEN (IH) MADE BY: SSL CHK'D: GS DATE: 8-25-04</p>			
<p>CONTRACT NUMBER: VT-04057-3 DRAWING NUMBER: 99 OF 112</p>			

CODE:30

BY: dpanter  
PLOTTED: 9/20/2004 14:53:32 PM