

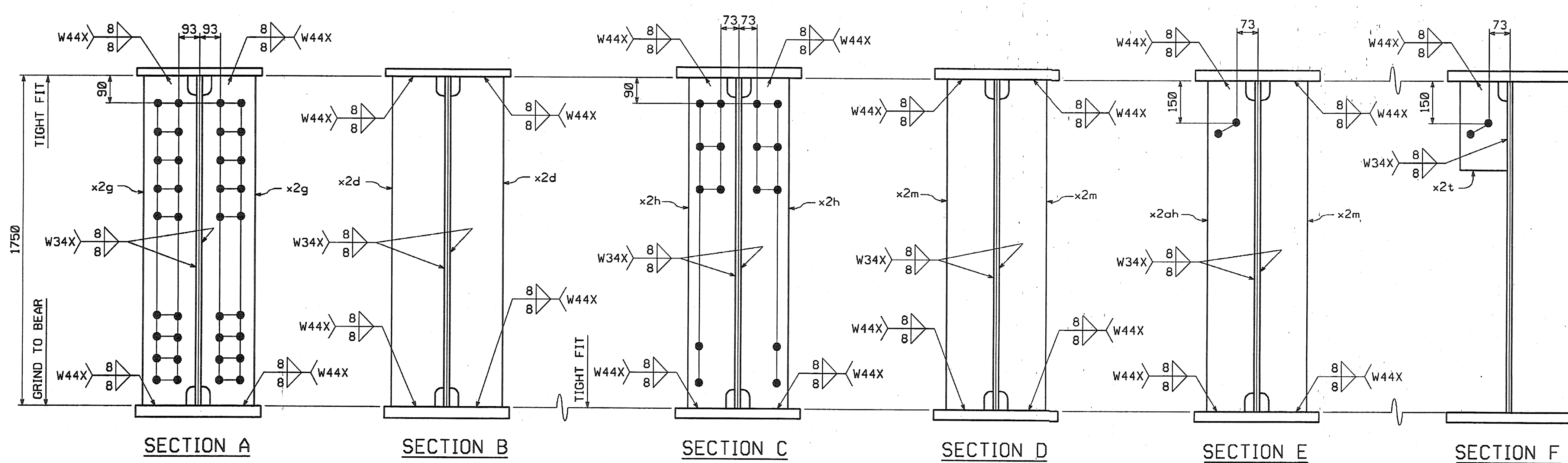
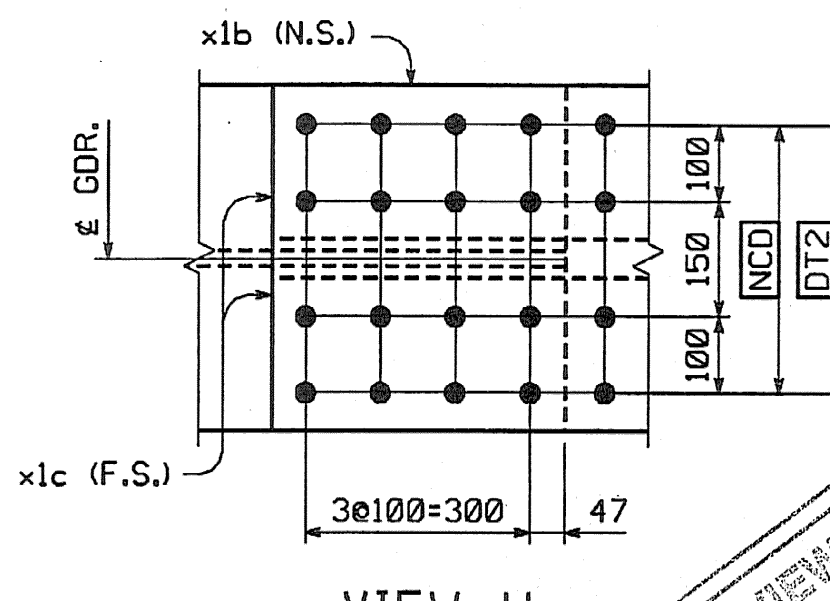
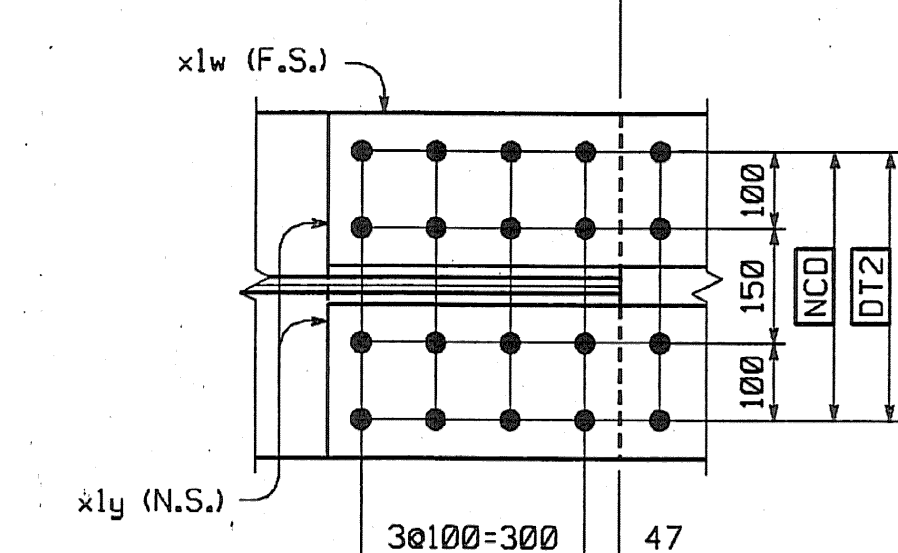
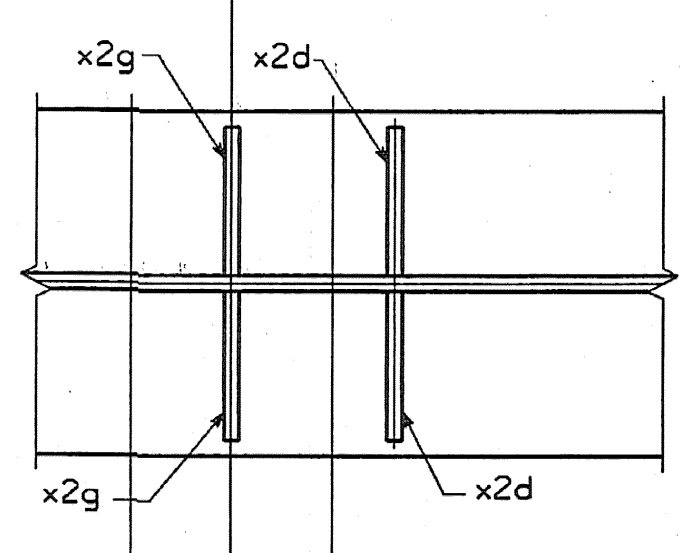
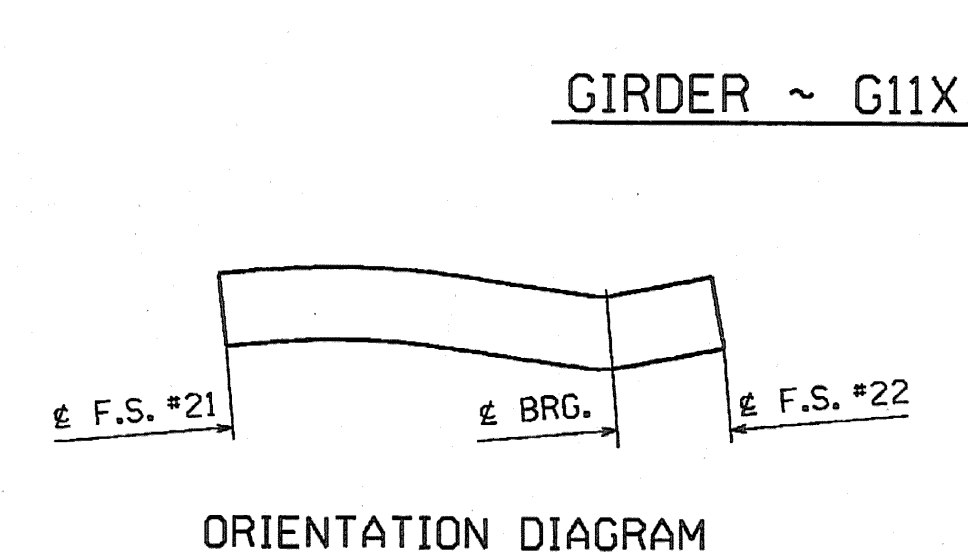
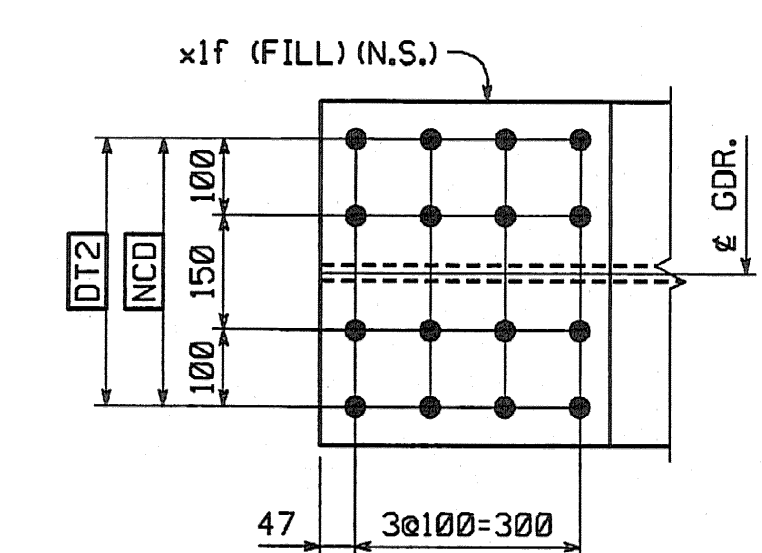
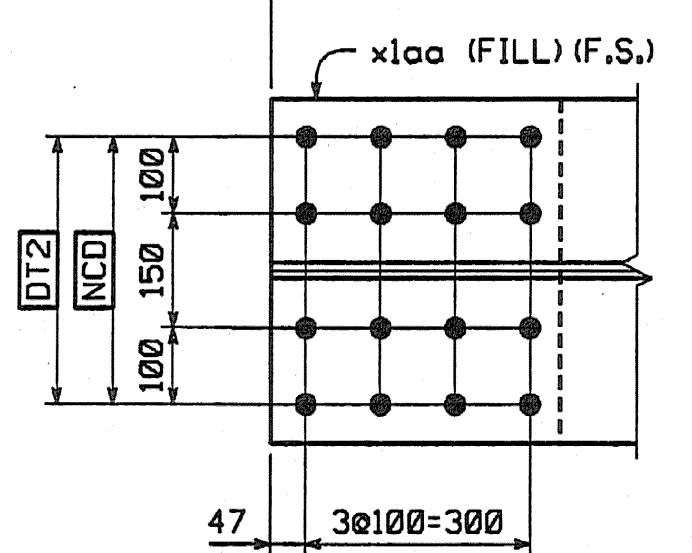
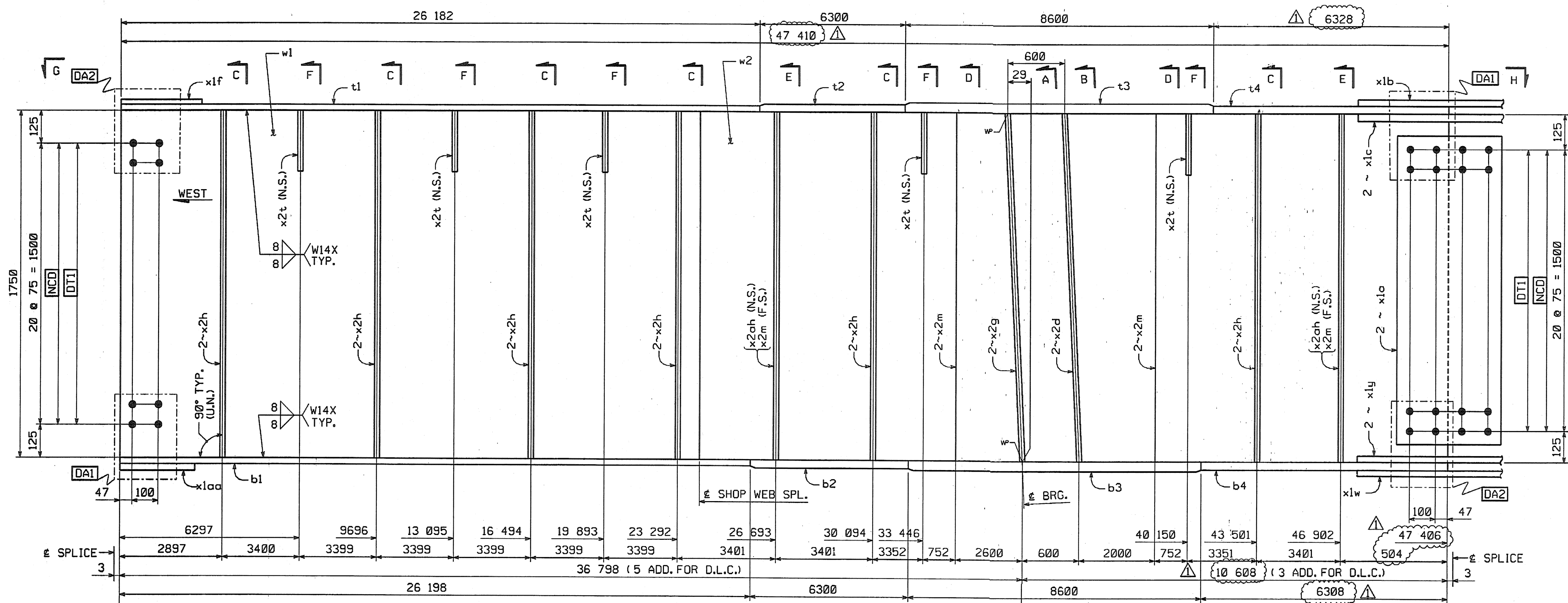
METRIC

1. ALL DIMENSIONS ARE IN MILLIMETERS UNLESS OTHERWISE NOTED.
2. ALL WEIGHTS ARE IN KILOGRAMS.

FED. ROAD DIV. NO.	STATE	FED. AID PROJ. NO.
	VT	

BILL OF MATERIAL

NO.	MARK	DESCRIPTION	LENGTH	REMARKS	GRP.	ITEM	SHIP. WT. KG. EA.
ONE	G11X	GIRDER					22 650
1	w1	PL 16 x 1750	23 813	(T)	3	4	5233.50
1	w2	PL 16 x 1750	23 609	(T)	4	5	5488.66
1	t1	PL 22 x 450	26 182	(T)	4	20	2034.50
1	t2	PL 32 x 450	6 300	(T)	4	15	712.07
1	t3	PL 65 x 450	8 601	(T)	4	2	1974.67
1	t4	PL 32 x 450	6 328	(T)	4	13	715.24
1	b1	PL 22 x 450	26 198	(T)	4	20	2035.74
1	b2	PL 32 x 450	6 300	(T)	4	15	712.07
1	b3	PL 65 x 450	8 601	(T)	4	2	1974.67
1	b4	PL 32 x 450	6 308	(T)	4	14	712.97
2	x1a	PL 12 x 1600	400	(T)	6	1	60.28
1	x1b	PL 14 x 450	790	(T)	6	6	39.06
2	x1c	PL 16 x 200	790	(T)	6	5	49.84
1	x1f	PL 10 x 450	392	FILL	6	7	13.85
1	x1w	PL 14 x 450	790	(T)	6	6	39.06
2	x1y	PL 16 x 200	790	(T)	6	5	19.84
1	x1aa	PL 10 x 450	392	FILL	6	7	13.85
2	x2d	PL 38 x 200	1750		7	1	104.39
2	x2g	PL 38 x 200	1750		7	1	104.39
12	x2h	PL 12 x 180	1750		7	4	29.67
6	x2m	PL 12 x 180	1750		7	4	29.67
5	x2l	PL 14 x 180	310		7	3	6.13
2	x2ah	PL 12 x 180	1750		7	4	29.67
TOTAL WEIGHT THIS SHEET:							22 641.47 kgs



SHOP NOTE

HOLES: 156
BOLTS: NONE
PAINT: NONE
FOR GENERAL SHOP NOTES, SEE DWG. C-11
FOR WEB CAMBER DIAGRAM, SEE DWG. W-C5

NO.	REVISION	BY	DATE
	INCREASE LENGTHS TO SATISFY REQUIREMENTS FOR LENGTH & MEAN TEMPERATURE OF 45°F	DP	9/20/04

HIGH STEEL STRUCTURES, INC.
1770 Hempstead Road
Lancaster, PA 17603-0008
Phone 717/299-5211

GIRDER G11X
VT 78 OVER MISSISSQUOI BAY, BRIDGE NO. 2
VT 78 STA.10+970.425 TO STA.12+059.775
TOWNS OF ALBURG AND SWANTON
COUNTIES OF GRAND ISLE AND FRANKLIN
STATE OF VERMONT, AGENCY OF TRANSPORTATION

STATE CONTRACT OR REF. NO. BRF-036-1(1)
CONTRACTOR CIAMBRO CORPORATION
IN CHARGE: GLIDDEN (IH) MADE BY: ERS CHK'D. BY: CS DATE: 8-25-04
CONTRACT NUMBER: VT-04057-3 DRAWING NUMBER: 95 OF 112

BY: dpointer
PLOTTED: 9/20/2004 10:52:22 PM