

METRIC 1. ALL DIMENSIONS ARE IN MILLIMETERS UNLESS OTHERWISE NOTED.
2. ALL WEIGHTS ARE IN KILOGRAMS.

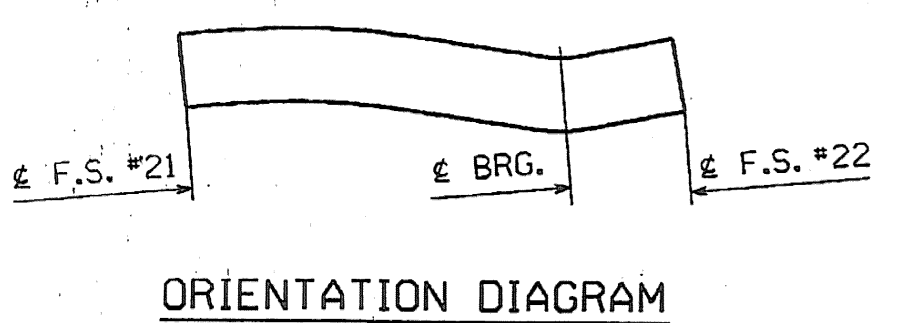
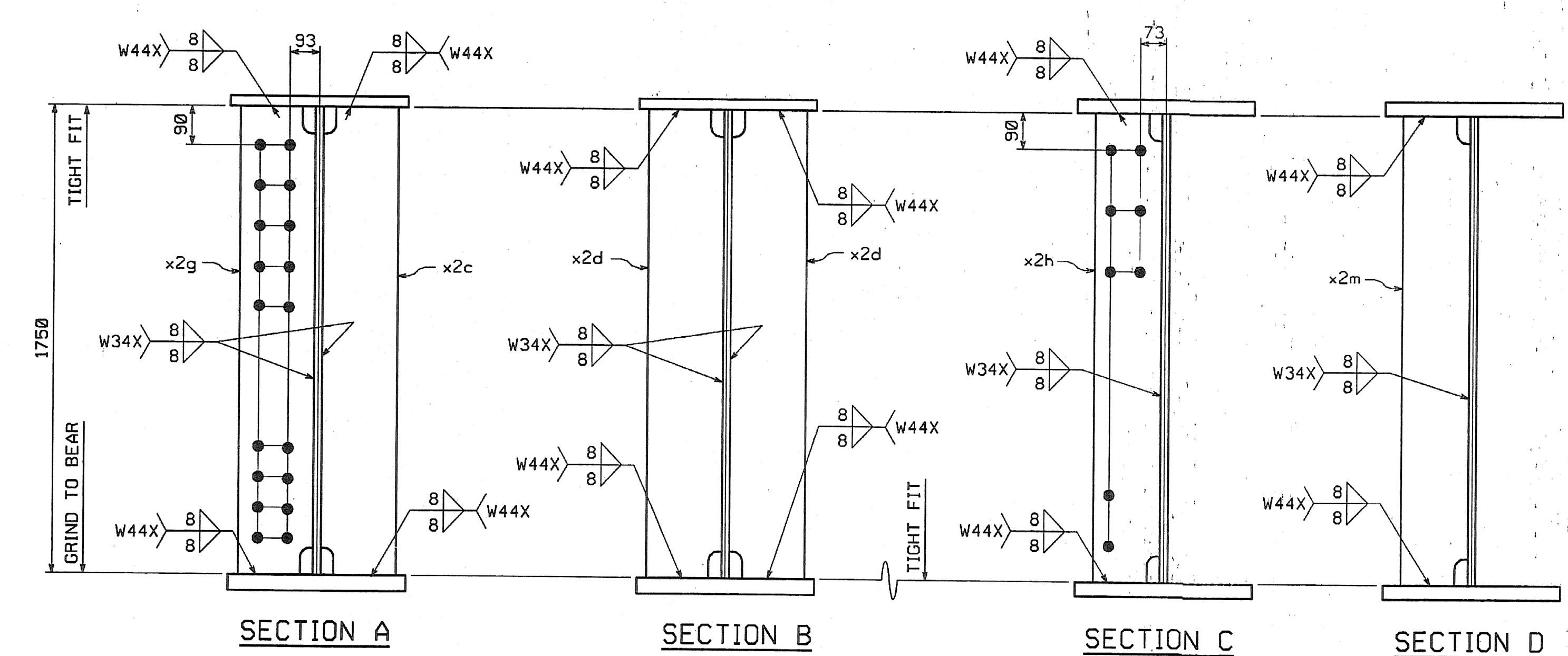
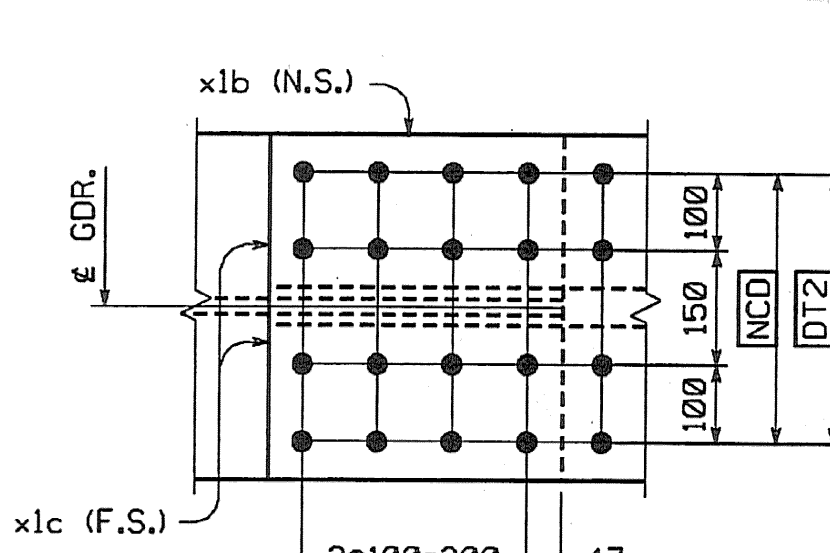
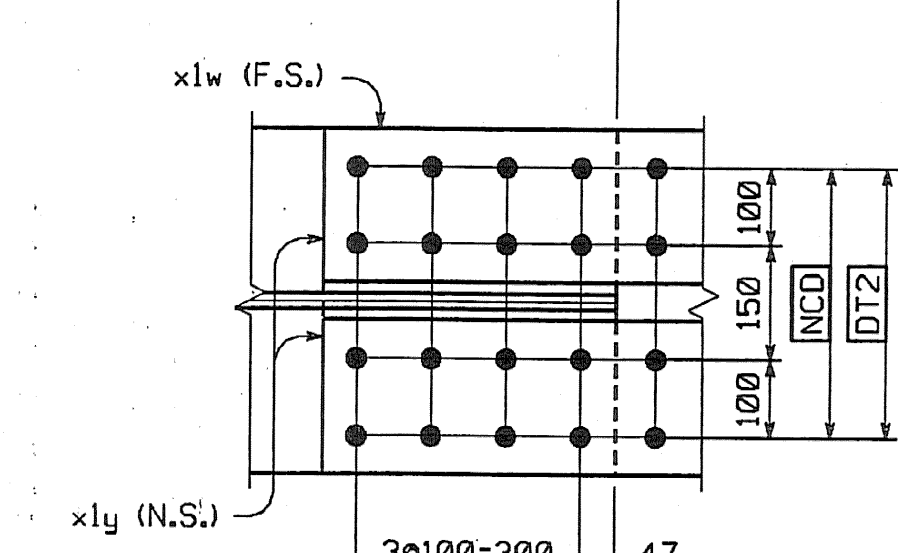
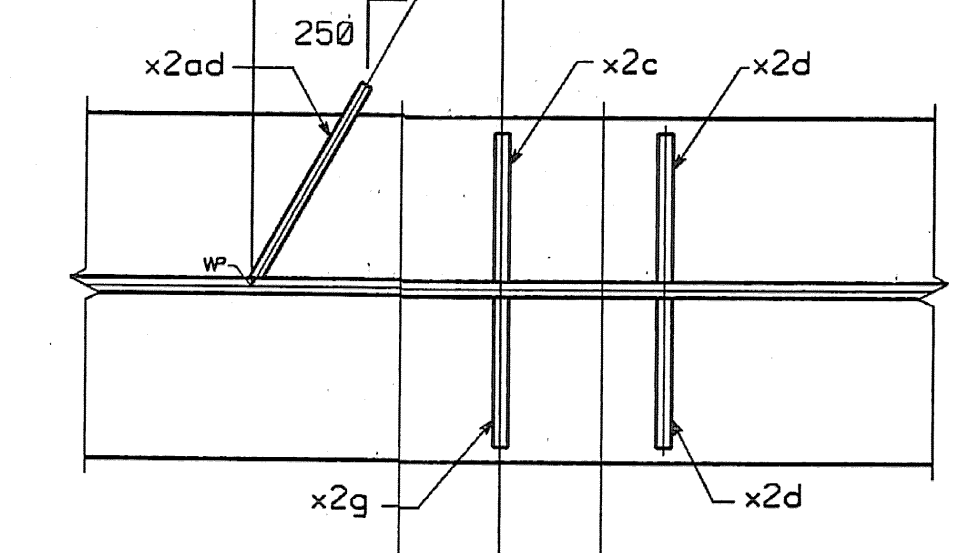
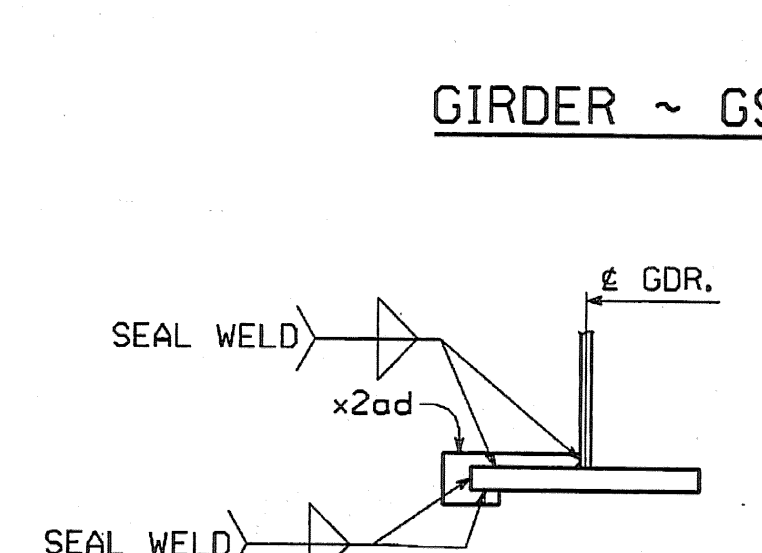
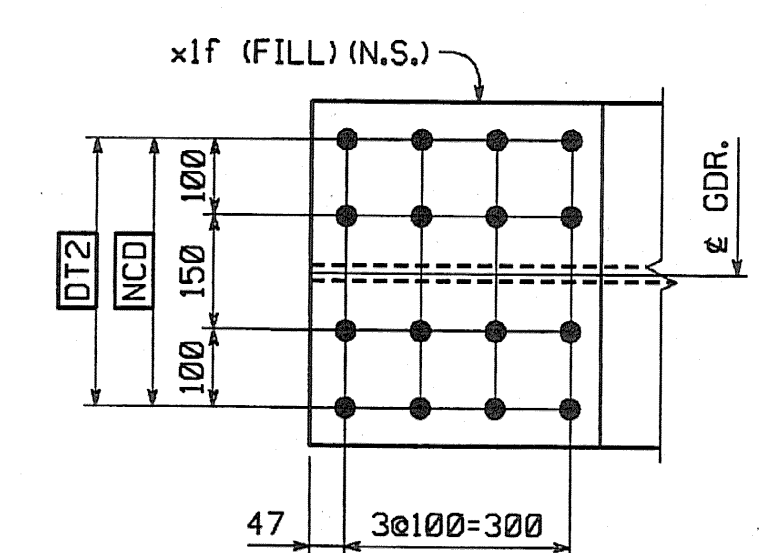
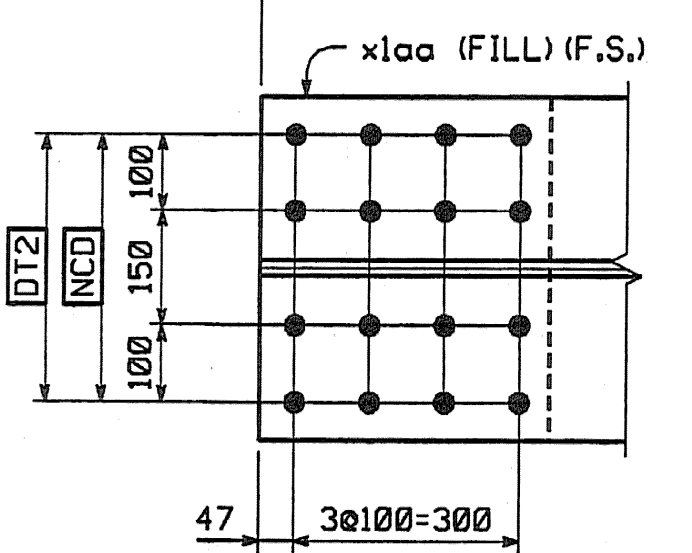
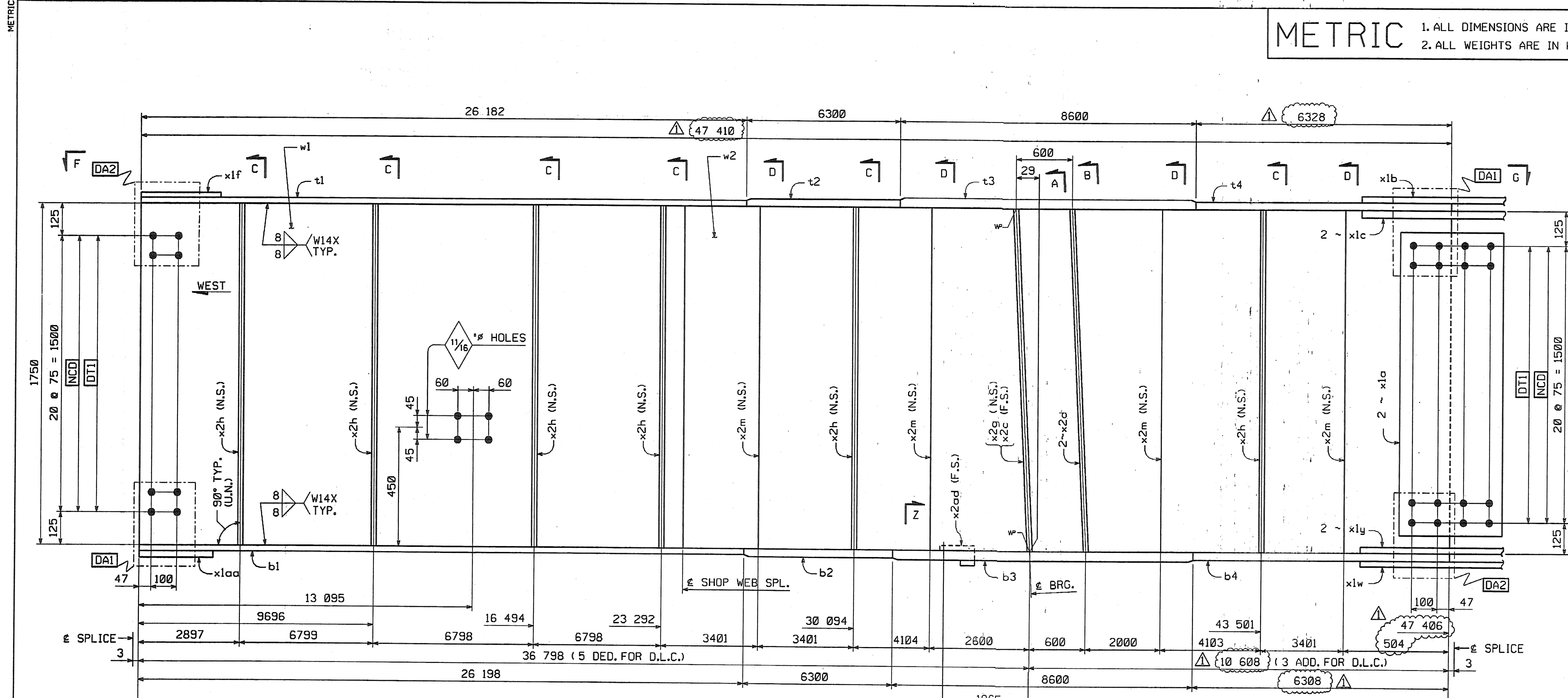
FED. ROAD DIV. NO.	STATE	FED. AID PROJ. NO.
	VT	

BILL OF MATERIAL

NO.	MARK	DESCRIPTION	LENGTH	REMARKS	GRP.	ITEM	SHIP. WT. KG. EA.
ONE	G9X	GIRDER					22 320
1	w1	PL. 16 x 1750	23 813	(T)	3	4	5233.50
1	w2	PL. 16 x 1750	23 609	(T) 47408	3	5	5488.66
1	t1	PL. 22 x 450	26 182	(T)	4	20	2684.60
1	t2	PL. 32 x 450	6 300	(T)	4	15	742.07
1	t3	PL. 65 x 450	8-601	(T) 8600	4	2	1974.67
1	t4	PL. 32 x 450	6 328	(T)	4	13	748.24
1	b1	PL. 22 x 450	26 198	(T)	4	20	2035.74
1	b2	PL. 32 x 450	6 300	(T)	4	15	742.07
1	b3	PL. 65 x 450	8-601	(T) 8600	4	2	1974.67
1	b4	PL. 32 x 450	6 308	(T)	4	14	742.97
2	x1a	PL. 12 x 1600	400	(T)	6	1	-60.28
1	x1b	PL. 14 x 450	790	(T)	6	6	-39.06
2	x1c	PL. 16 x 200	790	(T)	6	5	-19.84
1	x1f	PL. 10 x 450	392	FILL	6	7	13.85
1	x1w	PL. 14 x 450	790	(T)	6	6	-39.06
2	x1y	PL. 16 x 200	790	(T)	6	5	-19.84
1	x1aa	PL. 10 x 450	392	FILL	6	7	13.85
1	x2c	PL. 38 x 200	1 750		7	1	-104.39
2	x2d	PL. 38 x 200	1 750		7	1	-104.39
1	x2g	PL. 38 x 200	1 750		7	1	-104.39
6	x2h	PL. 12 x 180	1 750		7	4	-29.67
4	x2m	PL. 12 x 180	1 750		7	4	-29.67
1	x2ad	PL. 6 x 115	301		7	5	-1.63

TOTAL WEIGHT THIS SHEET: 22 315.75 kgs

* SEE SHEET 90 OF 112
2233.79 kg
8-17-06
2233.80 kg
08-22-06



SHOP NOTE
HOLES: 1 5/16" (U.N.)
BOLTS: NONE
PAINT: NONE
FOR GENERAL SHOP NOTES, SEE DWG. GNI.
FOR WEB CAMBER DIAGRAM, SEE DWG. WC5.

SHOP DRAWING REVIEW

REVIEWED AS REQUIRED BY THE CONSTRUCTION CONTRACT DOCUMENTS AND APPROVED, BUT ONLY FOR CONFORMANCE TO THE DESIGN CONCEPT OF THE WORK, AND SUBJECT TO THE LIMITATIONS AND REQUIREMENTS CONTAINED IN THE CONSTRUCTION CONTRACT DOCUMENTS.

REJECTED REVISE AND RESUBMIT FINISH AS CORRECTED

CORRECTIONS OR COMMENTS MADE ON THE SHOP DRAWINGS DURING THIS REVIEW DO NOT RELIEVE CONTRACTOR FROM COMPLIANCE WITH REQUIREMENTS OF THE SPECIFICATIONS AND SPECIFICATIONS. THIS CHECK IS ONLY FOR REVIEW OF GENERAL CONFORMANCE WITH THE DESIGN CONCEPT OF THE PROJECT AND GENERAL CONFORMANCE WITH THE REQUIREMENTS IN THE CONTRACT DOCUMENTS. THE CONTRACTOR IS RESPONSIBLE FOR OBTAINING AND CORRECTING ALL QUANTITIES AND DIMENSIONS, SELECTING FABRICATION PROCEDURES AND TECHNIQUES OF CONSTRUCTION, COORDINATING THE WORK WITH THAT OF ALL OTHER TRADES, AND PERFORMING HIS WORK IN A SAFE AND SATISFACTORY MANNER.

Vanossie Hangen Brustin, Inc.
Engineers, Planners, and Scientists
Bedford, NH 03112 603 844 0885

Job Number: 50011
Reviewed by: [Signature]
Date: 11/10/04

INCREASE LENGTHS TO SATISFY REQUIREMENTS FOR LENGTH
MEAN TEMPERATURE OF 45°F.

NO. REVISION

DP 9/20/04

BY DATE

HIGH STEEL STRUCTURES, INC.
1770 Hempstead Road
Lancaster, PA 17605-0008
Phone 717/299-5211
A Division of High Industries, Inc.

GIRDER G9X
VT 78 OVER MISSISQUOI BAY, BRIDGE NO. 2
VT 78 STA. 10+970.425 TO STA. 12+059.775
TOWNS OF ALBURG AND SWANKLIN
COUNTIES OF GRAND ISLE AND FRANKLIN
STATE OF VERMONT, AGENCY OF TRANSPORTATION

STATE CONTRACT OR REF. NO. BRF-036-1(1)

CONTRACTOR CIAMBRO CORPORATION
IN CHARGE: GLIDDEN (IH) MADE BY: [Signature] CHK'D: [Signature] DATE: 8-25-04

CONTRACT NUMBER: VT-04057-3 DRAWING NUMBER: 93 OF 112

BY: dpmaster
PLOTTED: 9/29/2004 10:06:16 PM

CODE:30