

METRIC

1. ALL DIMENSIONS ARE IN MILLIMETERS UNLESS OTHERWISE NOTED.  
2. ALL WEIGHTS ARE IN KILOGRAMS.

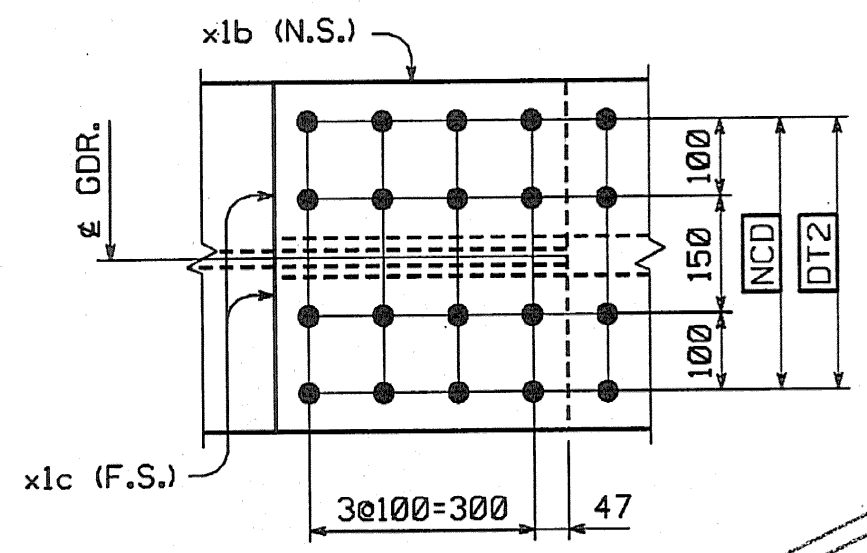
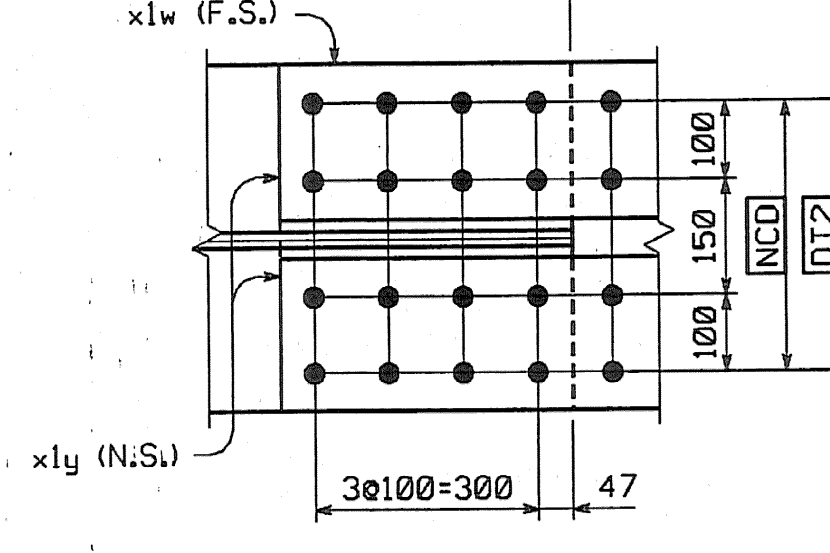
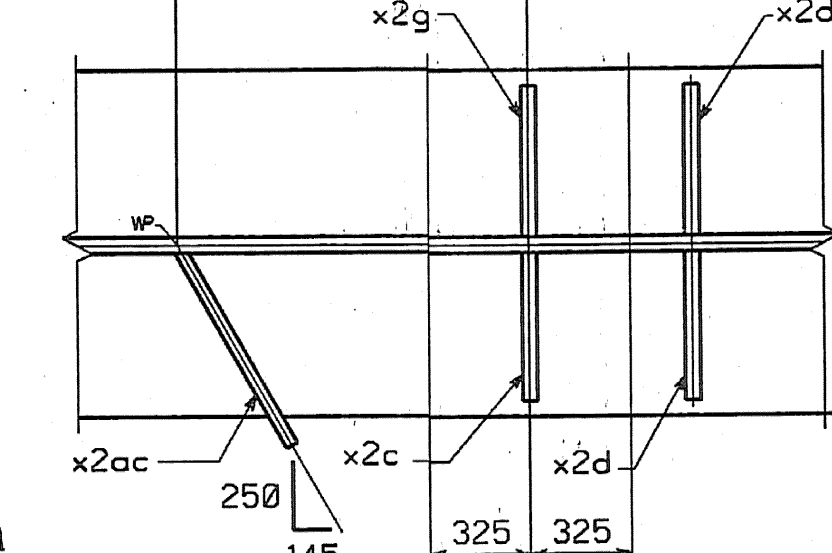
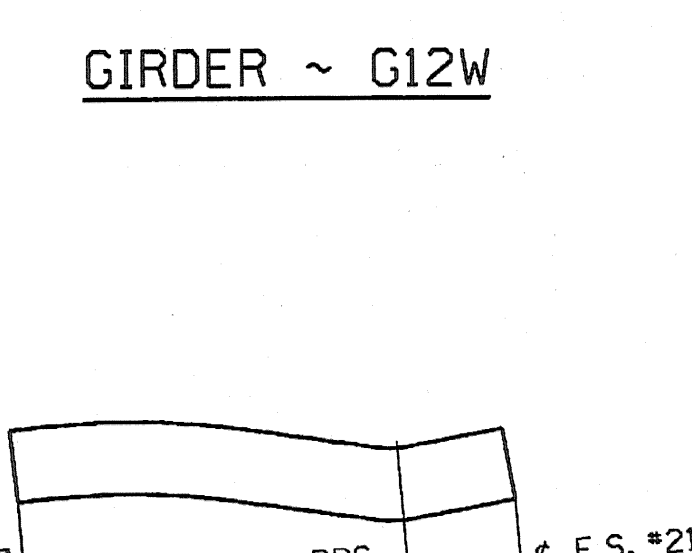
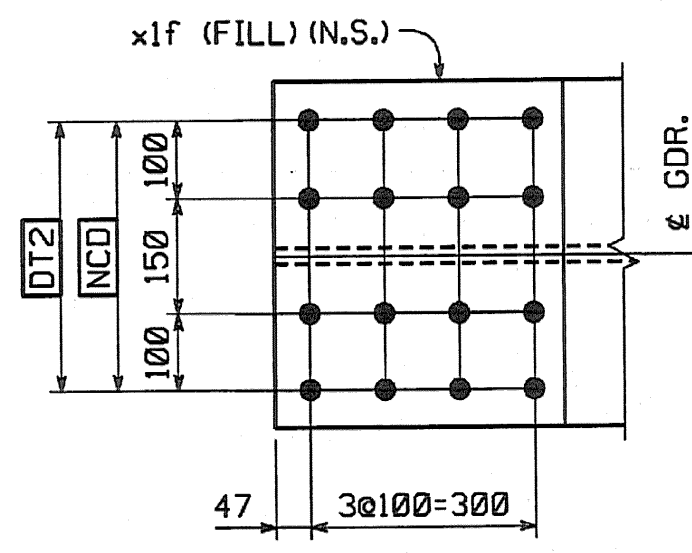
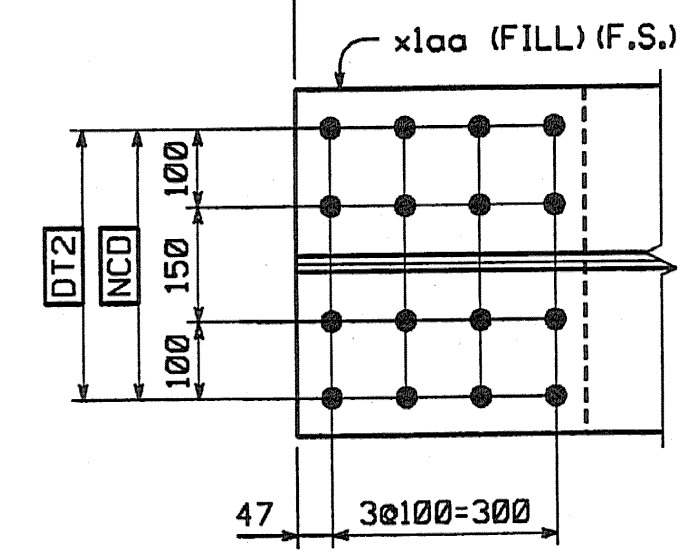
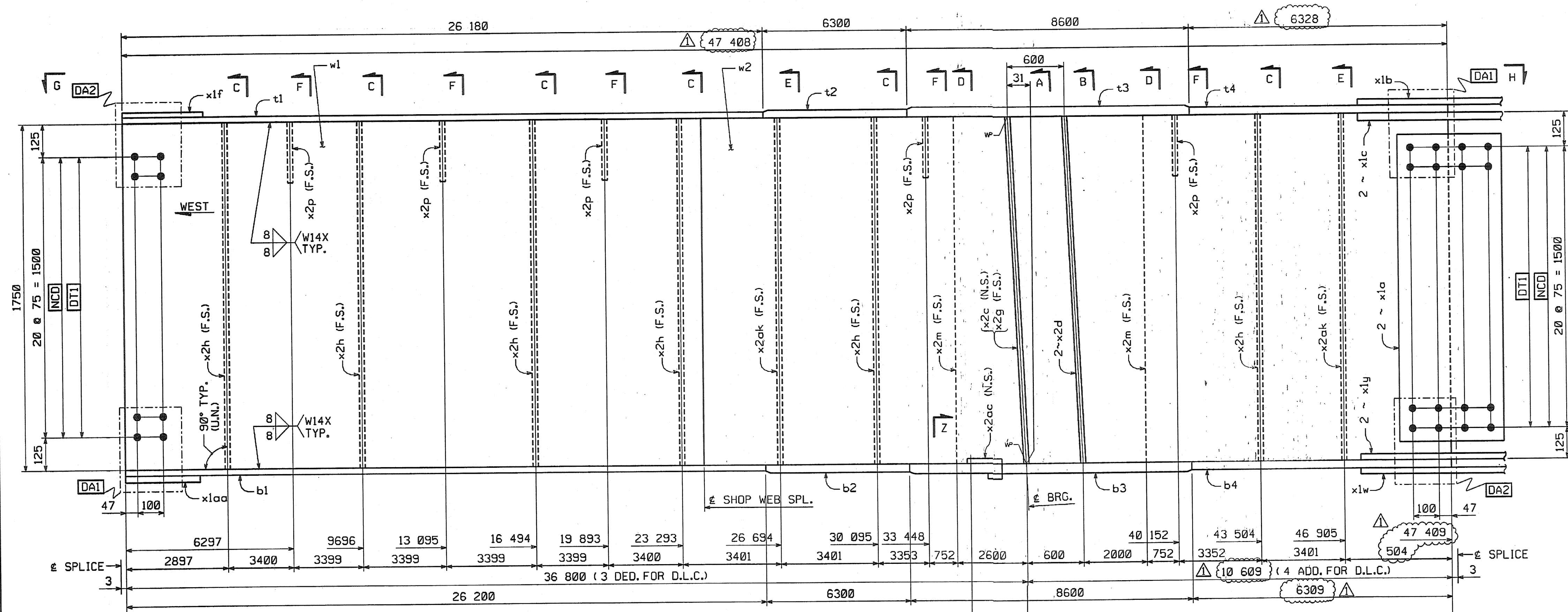
FED. ROAD DIV. NO.	STATE	FED. AID PROJ. NO.
	VT	

BILL OF MATERIAL

NO.	MARK	DESCRIPTION	LENGTH	REMARKS	GRP.	ITEM	SHIP. WT. KG. EA.
ONE	G12W	GIRDER					22 350
1	w1	PL 16 x 1750	23 812 (T)		3	4	5233.28
1	w2	PL 16 x 1750	23 608 (T)	47 408	3	2	5188.44
1	t1	PL 22 x 450	26 180 (T)		4	21	2034.35
1	t2	PL 32 x 450	6 300 (T)		4	15	742.07
1	t3	PL 65 x 450	8 600 (T)		4	3	1974.44
1	t4	PL 32 x 450	6 329 (T)	6328	4	13	746.35
1	b1	PL 22 x 450	26 200 (T)		4	20	2035.90
1	b2	PL 32 x 450	6 300 (T)		4	15	742.07
1	b3	PL 65 x 450	8 600 (T)		4	3	1974.44
1	b4	PL 32 x 450	6 310 (T)	6309	4	14	743.20
2	x1a	PL 12 x 1600	400 (T)		6	1	60.28
1	x1b	PL 14 x 450	790 (T)		6	6	39.07
2	x1c	PL 16 x 200	790 (T)		6	5	39.69
1	x1f	PL 10 x 450	392 (T)		6	7	13.85
1	x1w	PL 14 x 450	790 (T)		6	6	39.07
2	x1y	PL 16 x 200	790 (T)		6	5	39.69
1	x1aa	PL 10 x 450	392 (T)		6	7	13.85
1	x2c	PL 38 x 200	1 750 (T)		7	1	104.39
2	x2d	PL 38 x 200	1 750 (T)		7	1	104.39
1	x2g	PL 38 x 200	1 750 (T)		7	1	104.39
6	x2h	PL 12 x 180	1 750 (T)		7	4	29.67
2	x2m	PL 12 x 180	1 750 (T)		7	4	29.67
5	x2p	PL 14 x 180	310 (T)		7	3	6.13
1	x2ac	PL 6 x 445	301 (T)	*Vol = 79650mm <sup>3</sup>	7	5	1.69
2	x2ak	PL 12 x 180	1 750 (T)		7	4	29.67

TOTAL WEIGHT THIS SHEET: -22 345.85 kgs

\*SEE SHEET 9 OF 112  
22344.85 kg  
8-16-06  
104.41  
208.81  
104.41  
178.04  
59.35  
30.66  
0.62  
59.35



VIEW H

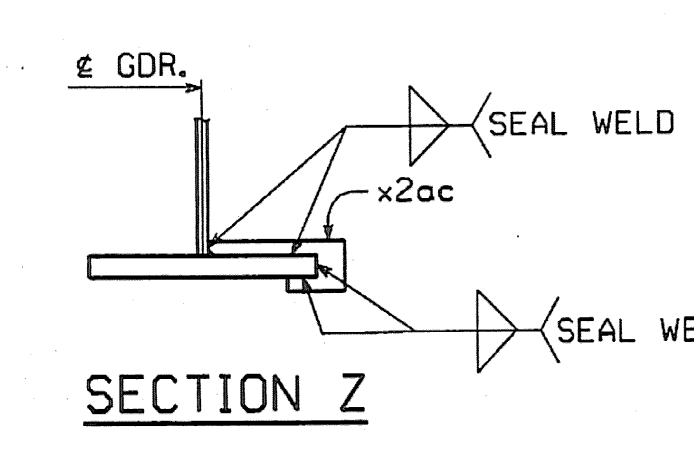
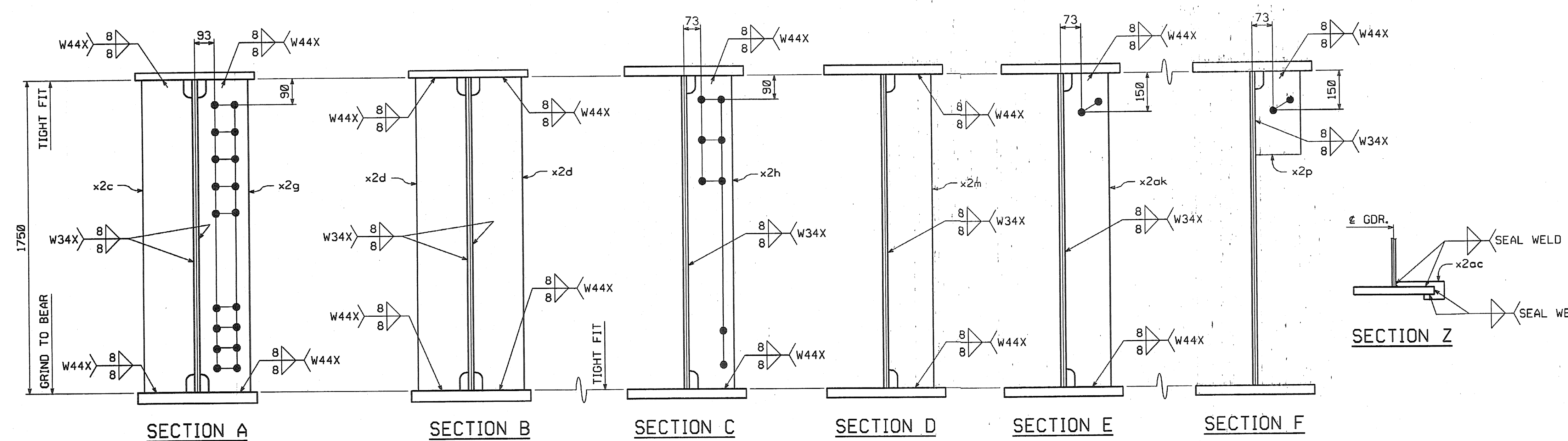
**SHOP NOTE**

**SHOPS DRAWING REVIEW**

REVIEWED AS REQUIRED BY THE CONSTRUCTION CONTRACT AND APPROVED, BUT NOT FOR PERFORMANCE TO THE DESIGN OF THE WORK, AND SUBJECT TO THE LIMITATIONS AND REQUIREMENTS CONTAINED IN THE CONSTRUCTION CONTRACT DOCUMENTS.

FOR GENERAL NOTES SEE DWG. GN. FOR WEB CAMBER DIAGRAM SEE DWG. WC.

Job Number: 0474  
Date: 11/1/04



SECTION Z

NO.	REVISION	BY	DATE
<p>INCREASE LENGTHS TO SATISFY REQUIREMENTS FOR LENGTH @ MEAN TEMPERATURE OF 28°F.</p>			
<p>DP 9/20/04</p>			
<p>CONTRACTOR: CIAMBRO CORPORATION</p>			
<p>IN CHARGE: GLIDDEN (IH) MADE BY: SRS</p>			
<p>CONTRACT NUMBER: VT-04057-3</p>			
<p>DRAWING NUMBER: 92 OF 112</p>			

CODE:30

BY: dpointer  
PLOTTED: 9/20/2004 10:36 PM