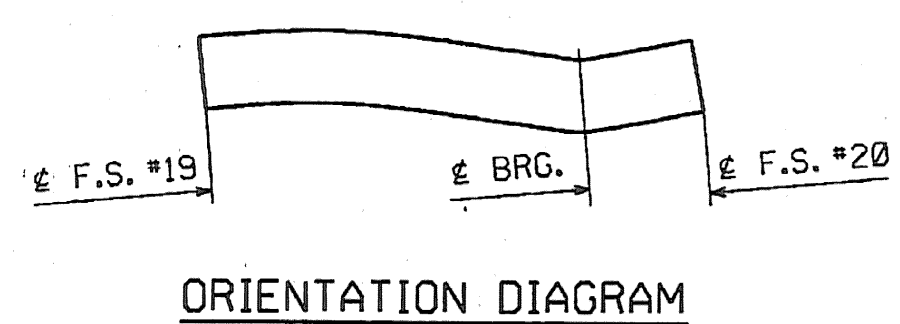
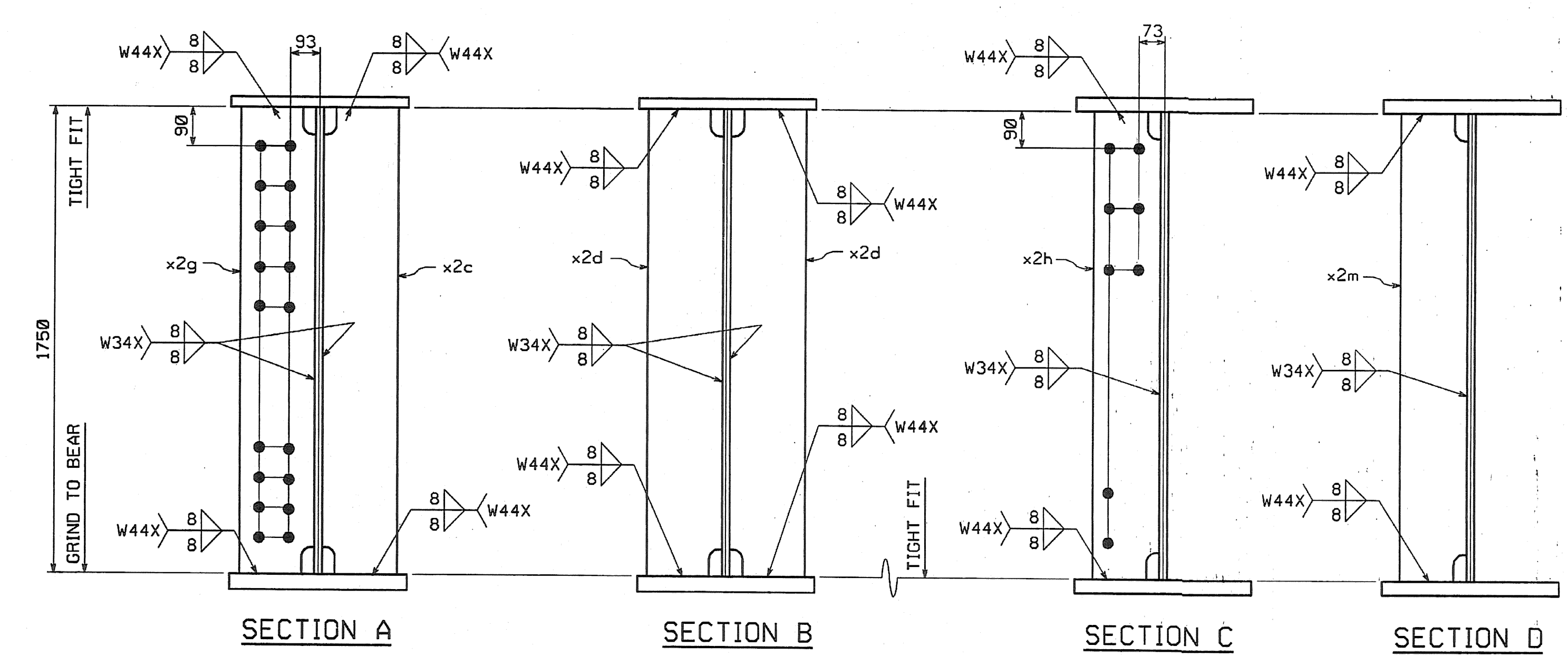
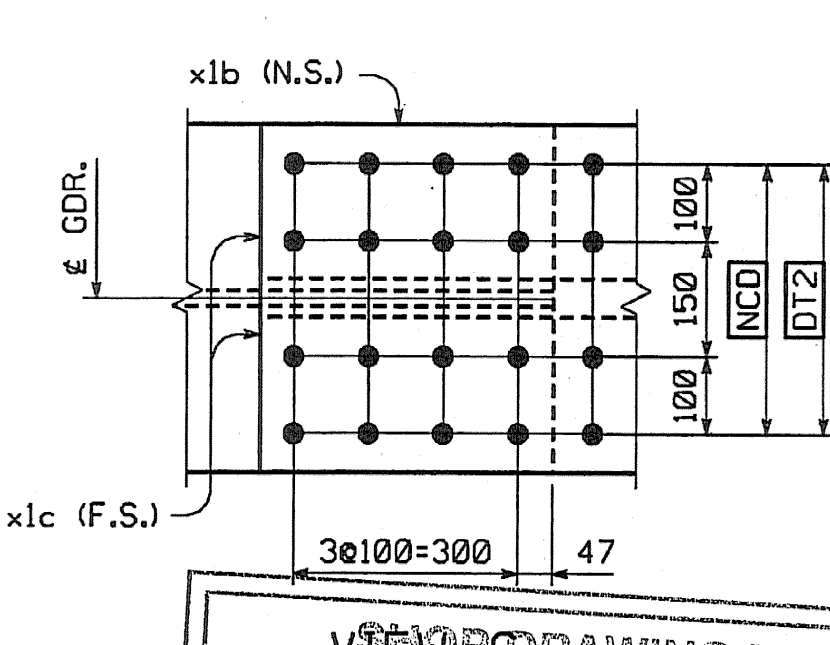
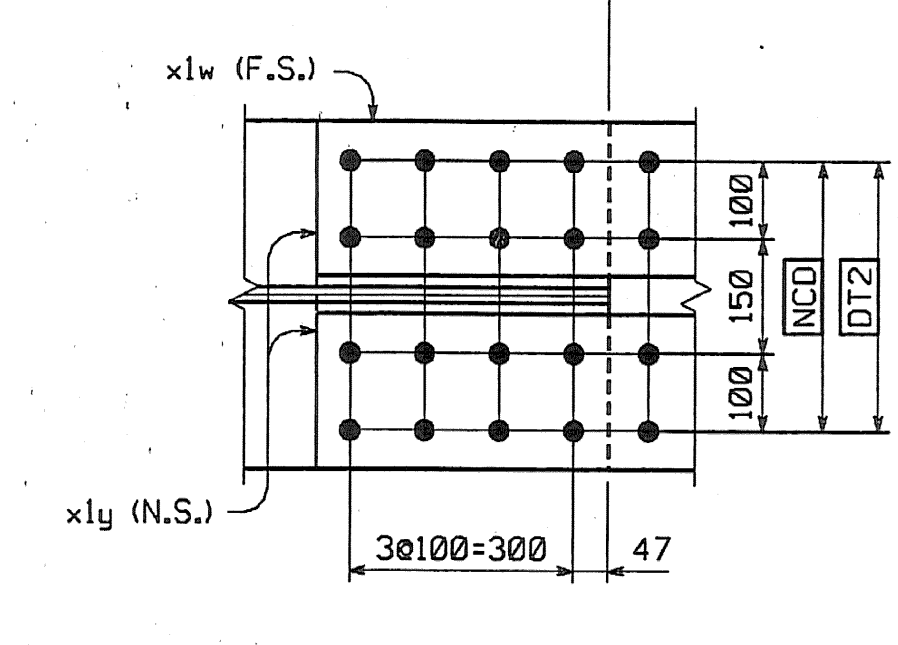
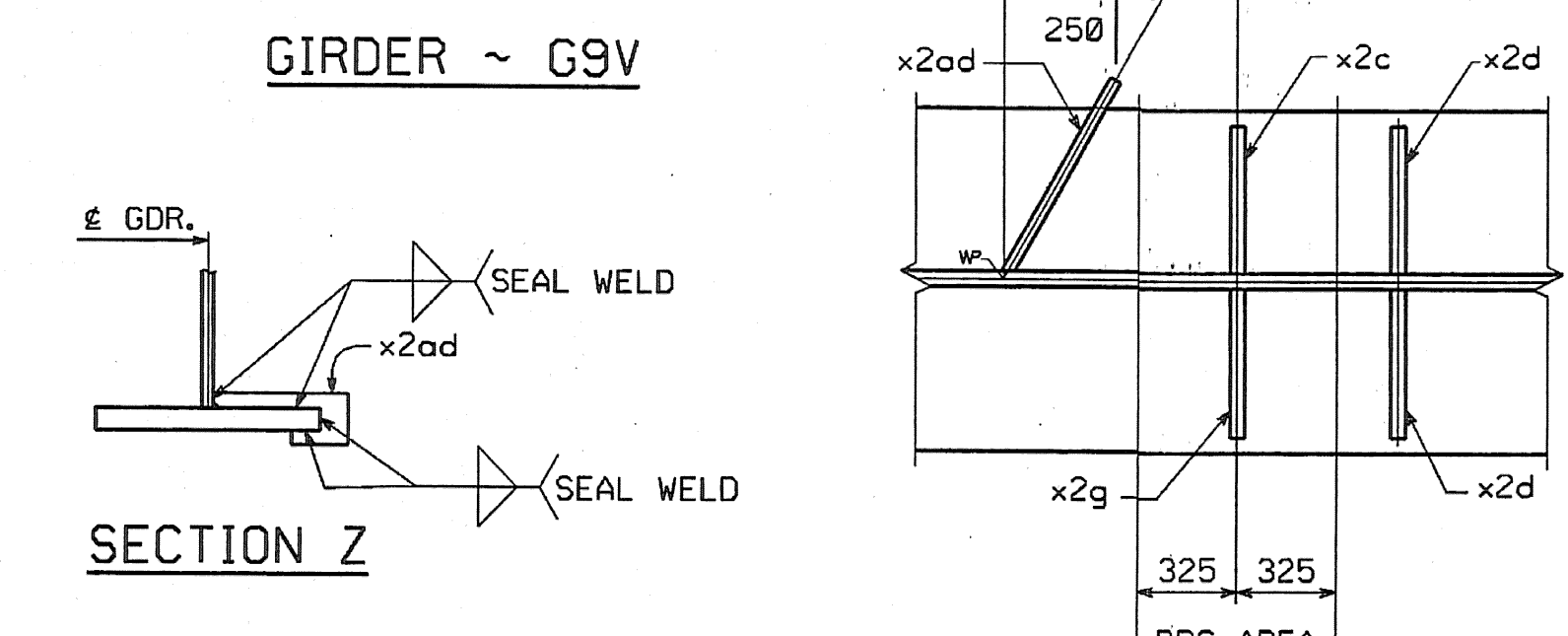
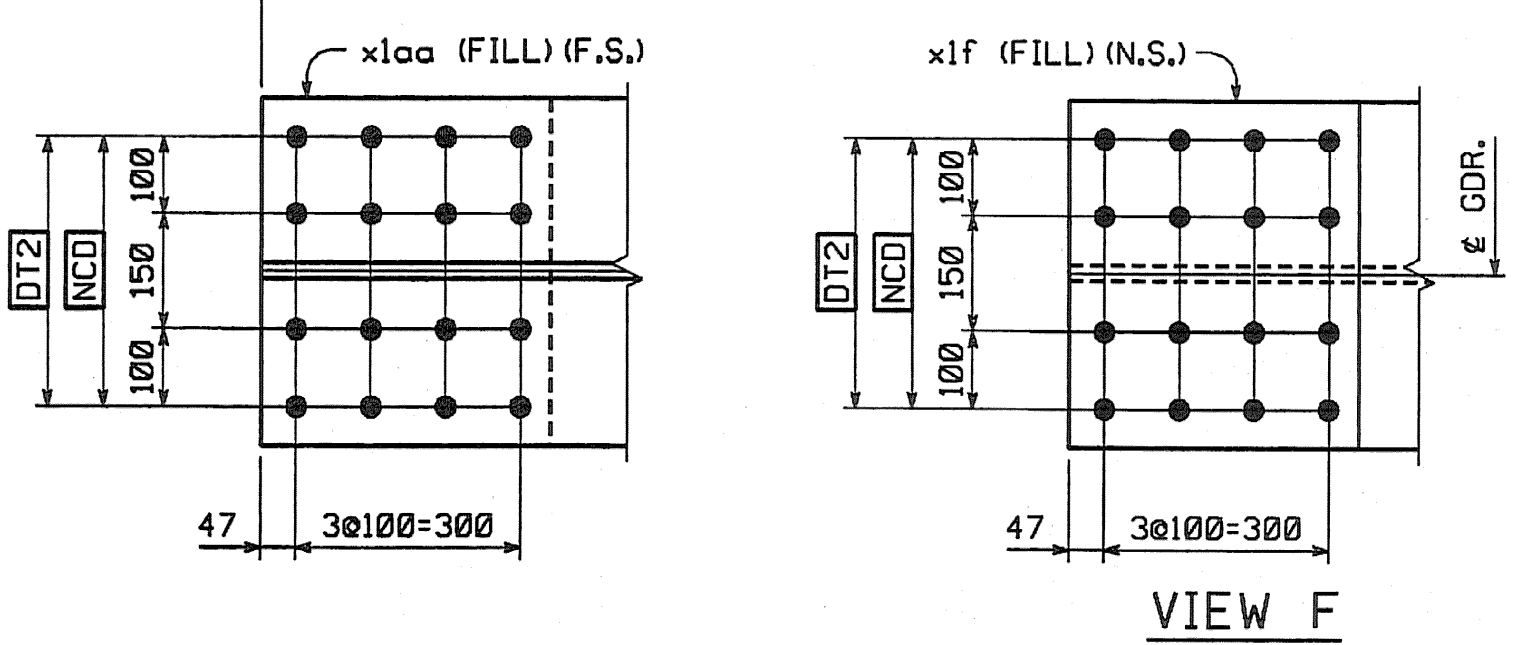
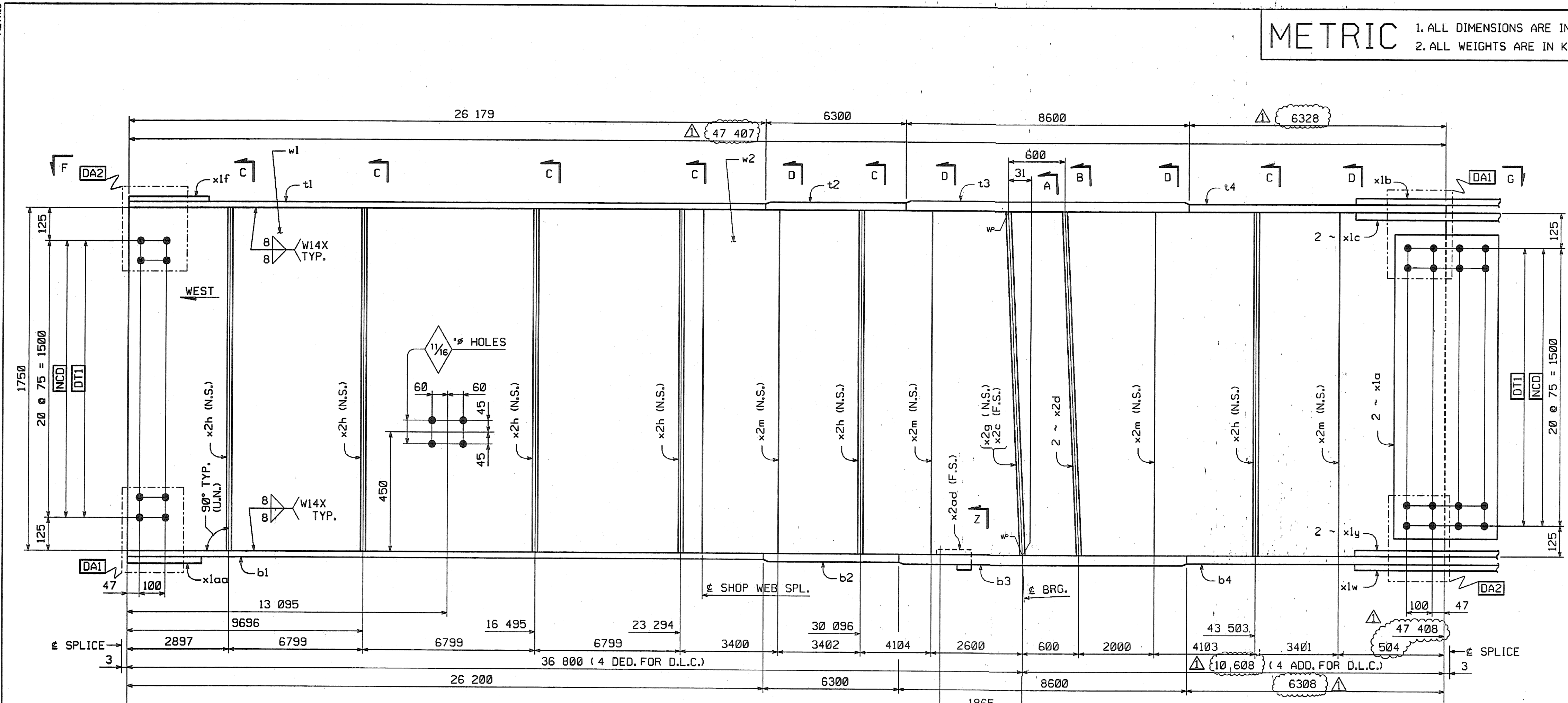


METRIC 1. ALL DIMENSIONS ARE IN MILLIMETERS UNLESS OTHERWISE NOTED.  
2. ALL WEIGHTS ARE IN KILOGRAMS.

FED. ROAD DIV. NO.	STATE	FED. AID PROJ. NO.
	VT	

BILL OF MATERIAL										
NO.	MARK	DESCRIPTION	LENGTH	REMARKS	GRP.	ITEM	SHIP. WT. KG. EA.			
ONE	G9V	GIRDER					22 320			
1	w1	PL 16 x 1750	29 811	(T)	3	6	5233.06			
1	w2	PL 16 x 1750	23 608	(T) 4740 5	3	2	5188.44	10420.17		
1	t1	PL 22 x 450	26 179	(T)	4	21	2034.27	2034.50		
1	t2	PL 32 x 450	6 300	(T)	4	15	712.07	712.15		
1	t3	PL 65 x 450	8 600	(T)	4	3	1974.44	1974.67		
1	t4	PL 32 x 450	6 329	(T) 6328	4	13	715.35	715.32		
1	b1	PL 22 x 450	26 200	(T)	4	20	2035.90	2036.13		
1	b2	PL 32 x 450	6 300	(T)	4	15	712.07	712.15		
1	b3	PL 65 x 450	8 600	(T)	4	3	1974.44	1974.67		
1	b4	PL 32 x 450	6 309	(T) 6308	4	14	713.09	713.06		
2	x1a	PL 12 x 1600	400	(T)	6	1	60.28	120.58		
1	x1b	PL 14 x 450	790	(T)	6	6	39.06	39.07		
2	x1c	PL 16 x 200	790	(T)	6	5	19.84	39.69		
1	x1f	PL 10 x 450	392	FILL	6	7	13.85			
1	x1w	PL 14 x 450	790	(T)	6	6	39.06	39.07		
2	x1y	PL 16 x 200	790	(T)	6	5	19.84	39.69		
1	x1aa	PL 10 x 450	392	FILL	6	7	13.85			
1	x2c	PL 38 x 200	1 750		7	1	104.39	104.41		
2	x2d	PL 38 x 200	1 750		7	1	104.39	208.81		
1	x2g	PL 38 x 200	1 750		7	1	104.39	104.41		
6	x2h	PL 12 x 180	1 750		7	4	29.67	178.04		
4	x2m	PL 12 x 180	1 750		7	4	29.67	118.69		
1	x2ad	PL 6 x 145	301	FILL 7965mm <sup>2</sup>	7	5	1.63	0.62		
<b>TOTAL WEIGHT THIS SHEET:</b>							<b>22 314.78</b>	<b>kgs</b>		

\* SEE SHEET 9 OF 112  
22313.60 kgs  
JMR 8-15-06  
06-02-06



**SHOP NOTE**  
HOLES: 1/16" (U.N.)  
BOLTS: NONE  
PAINT: NONE  
FOR GENERAL SHOP NOTES, SEE DWG. GNI.  
FOR WEB CAMBER DIAGRAM, SEE DWG. WCS.

**VIEW/DRAWING REVIEW**

REVIEWED AS REQUIRED BY THE CONSTRUCTION CONTRACT DOCUMENTS AND APPROVED, BUT ONLY FOR CONFORMANCE TO THE DESIGN CONCEPT OF THE WORK, AND SUBJECT TO FURTHER LIMITATIONS AND REQUIREMENTS CONTAINED IN THE CONSTRUCTION CONTRACT DOCUMENTS.

REJECTED  REVISE AND RESUBMIT  FORUMS AS CORRECTED

DATE: 11/21/04

NO.	REVISION	BY	DATE
	INCREASE LENGTHS TO SATISFY REQUIREMENTS FOR LENGTH & MEAN TEMPERATURE OF 45°F.	DP	9/20/04
<p><b>HIGH STEEL STRUCTURES, INC.</b> 1770 Hempstead Road Lancaster, PA 17605-0008 Phone 717/299-5211 A Division of High Industries, Inc.</p>			
GIRDER		G9V	
VT 78 OVER MISSISQUOI BAY, BRIDGE NO. 2			
VT 78 STA.10+970.425 TO STA.12+059.775			
TOWNS OF ALBURG AND SWANTON			
COUNTIES OF GRAND ISLE AND FRANKLIN			
STATE OF VERMONT, AGENCY OF TRANSPORTATION			
STATE CONTRACT OR REF. NO. BRF-036-1(1)			
CONTRACTOR CIANBRO CORPORATION			
IN CHARGE: GLIDDEN (IH)	MADE BY: SSL	CHK'D. BY:	DATE:
CONTRACT NUMBER: VT-04057-3		DRAWING NUMBER: 85 OF 112	

BY: dpanter  
PLOTTED: 9/20/2004 10:56:06 PM

CODE:30