

METRIC

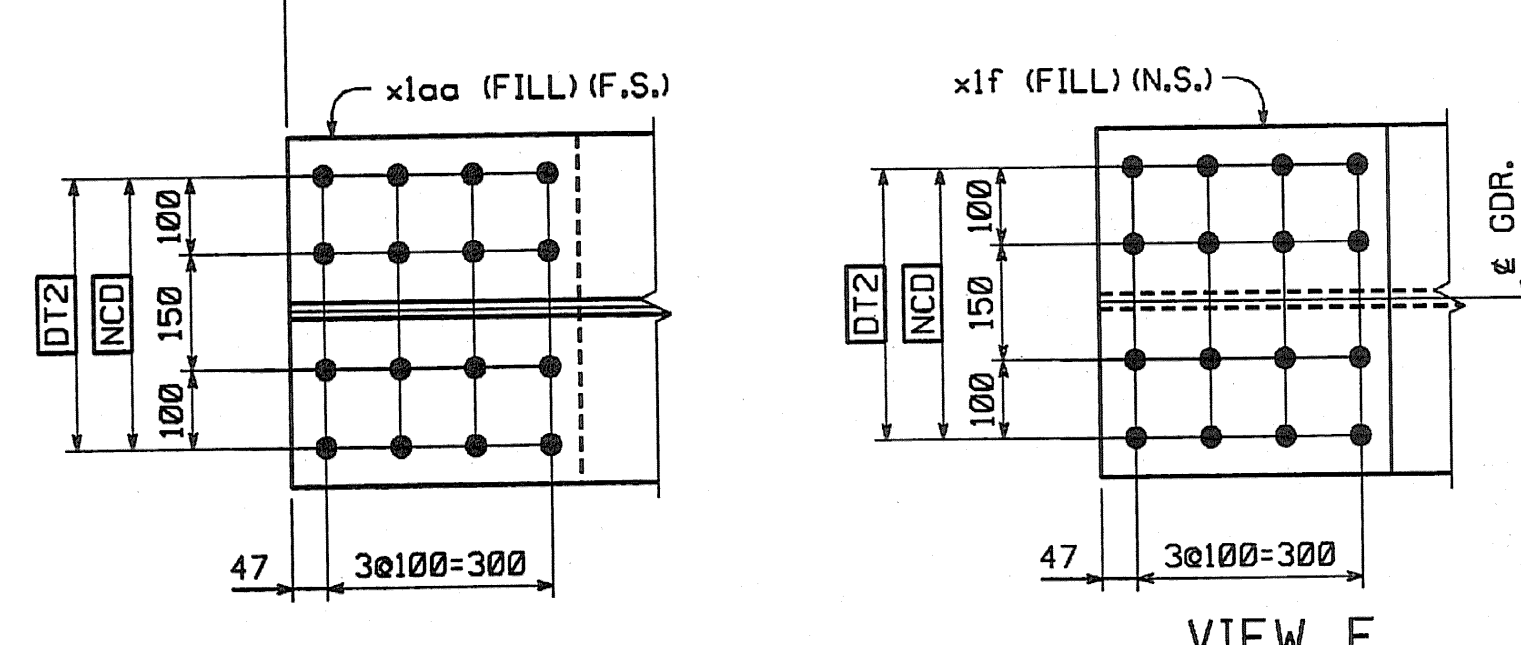
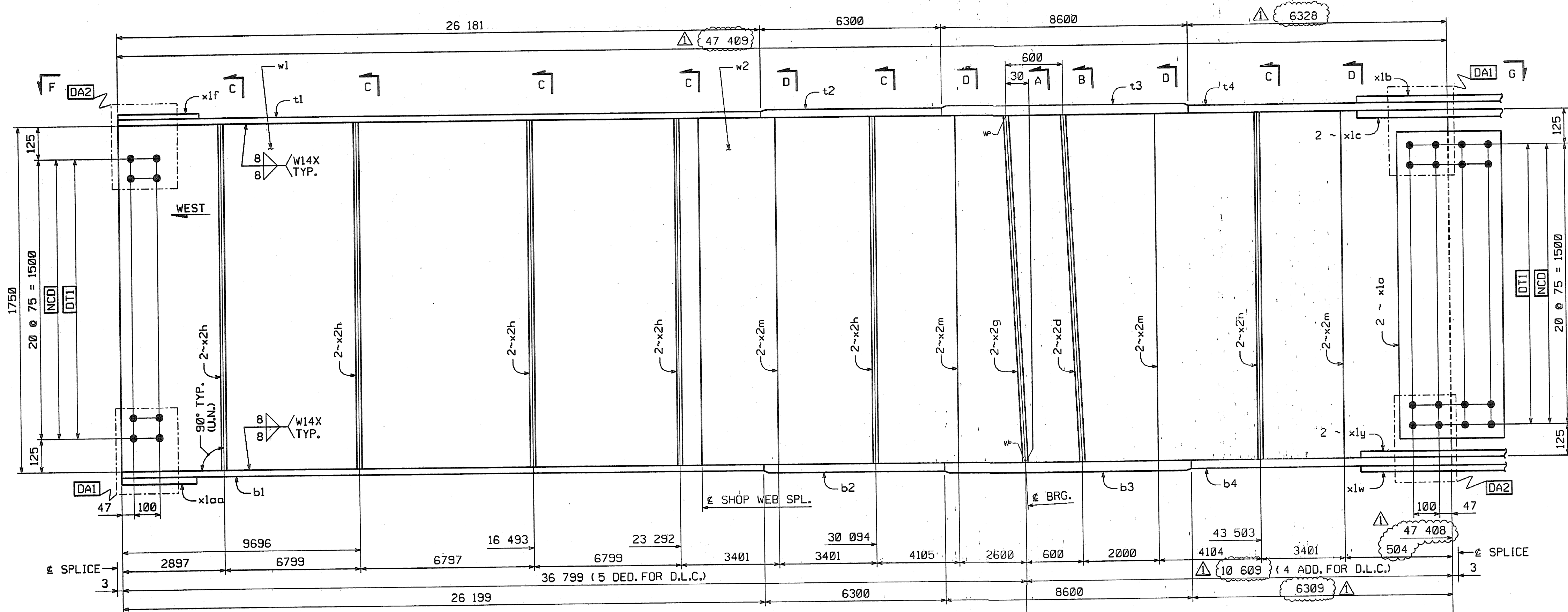
1. ALL DIMENSIONS ARE IN MILLIMETERS UNLESS OTHERWISE NOTED.  
2. ALL WEIGHTS ARE IN KILOGRAMS.

FED. ROAD DIV. NO.	STATE	FED. AID PROJ. NO.
	VT	

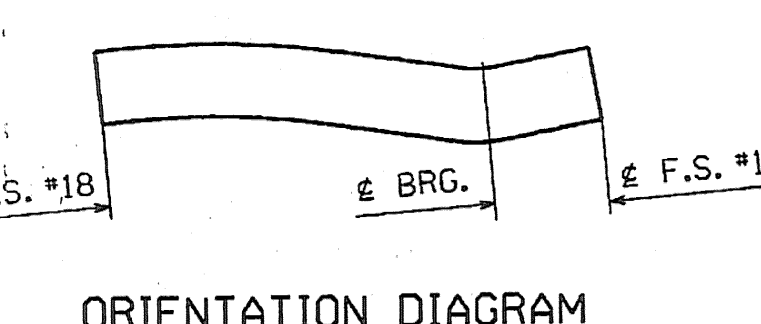
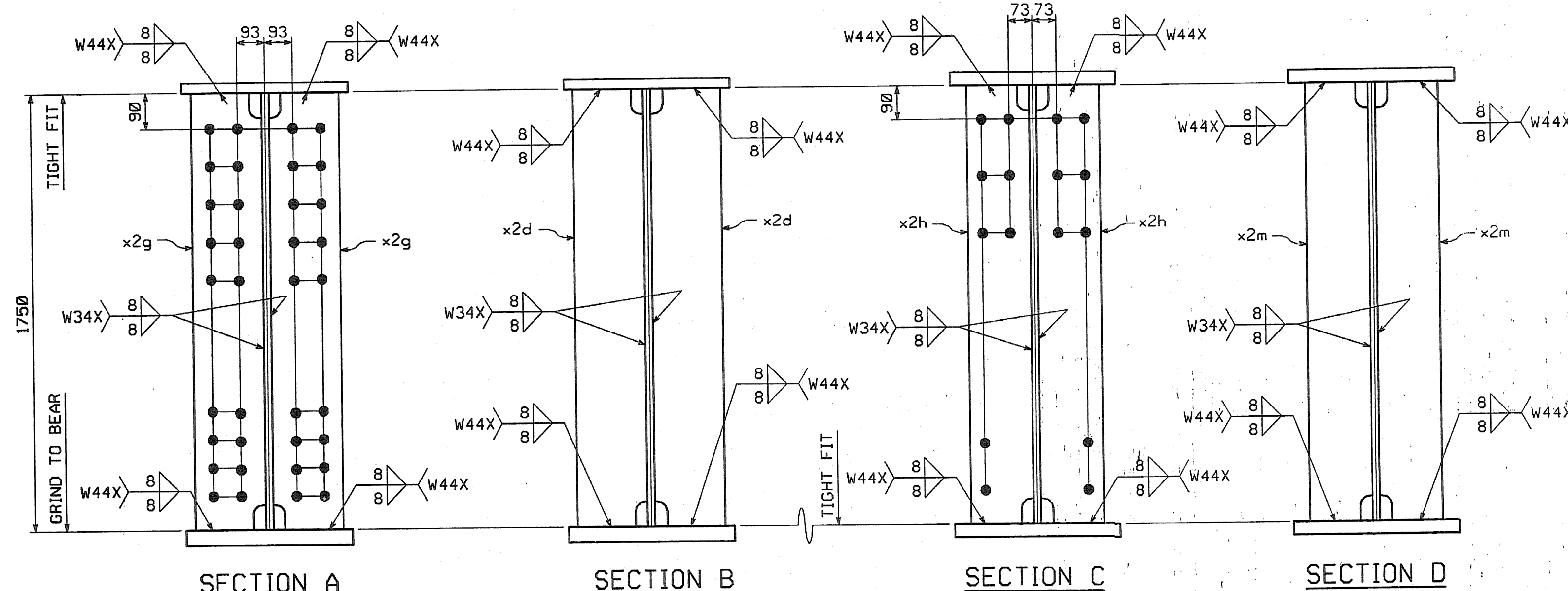
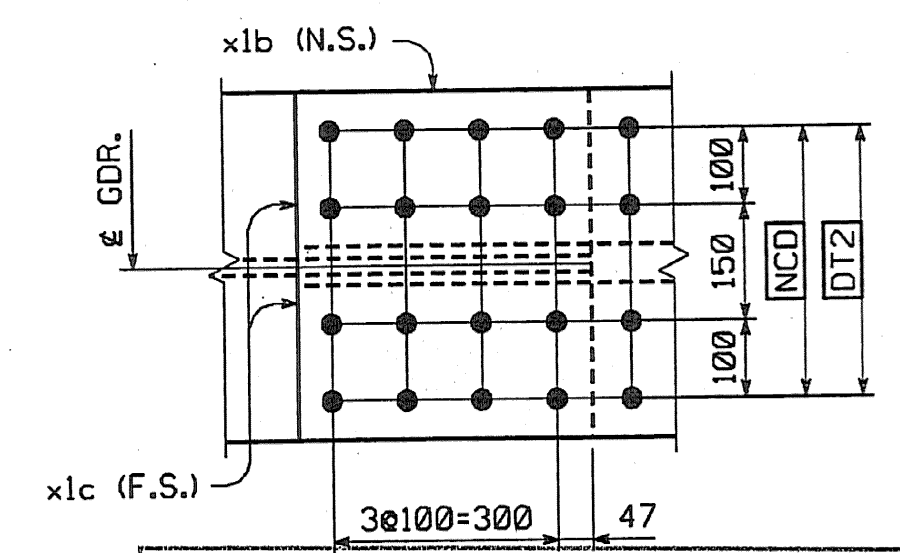
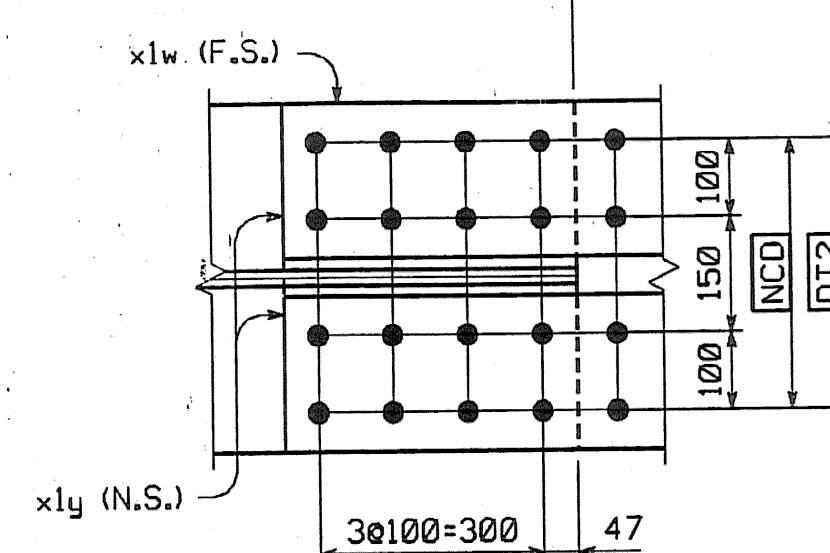
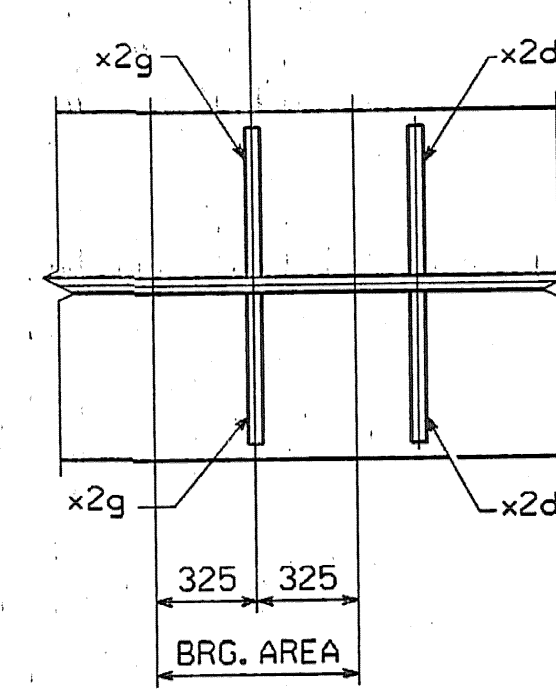
BILL OF MATERIAL

NO.	MARK	DESCRIPTION	LENGTH	REMARKS	GRP.	ITEM	SHIP. WT. KG. EA.
ONE	G10U	GIRDER					22 620
1	w1	PL 16 x 1750	23 812	(T)	3	4	5233.28
1	w2	PL 16 x 1750	23 609	(T) 47408	3	2	5188.66
1	t1	PL 22 x 450	26 181	(T)	4	20	2034.42
1	t2	PL 32 x 450	6 300	(T)	4	15	742.07
1	t3	PL 65 x 450	8 601	(T) 8600	4	2	1974.67
1	t4	PL 32 x 450	6 328	(T)	4	13	745.24
1	b1	PL 22 x 450	26 199	(T)	4	20	2035.82
1	b2	PL 32 x 450	6 300	(T)	4	15	742.07
1	b3	PL 65 x 450	8 601	(T) 8600	4	2	1974.67
1	b4	PL 32 x 450	6 309	(T)	4	14	743.09
2	x1a	PL 12 x 1600	400	(T)	6	1	60.28
1	x1b	PL 14 x 450	790	(T)	6	6	39.06
2	x1c	PL 16 x 200	790	(T)	6	5	49.84
1	x1f	PL 10 x 450	392	FILL	6	7	13.85
1	x1w	PL 14 x 450	790	(T)	6	6	39.06
2	x1y	PL 16 x 200	790	(T)	6	5	49.84
1	x1aa	PL 10 x 450	392	FILL	6	7	13.85
2	x2d	PL 38 x 200	1 750		7	1	104.39
2	x2g	PL 38 x 200	1 750		7	1	104.39
12	x2h	PL 12 x 180	1 750		7	4	29.67
8	x2m	PL 12 x 180	1 750		7	4	29.67

TOTAL WEIGHT THIS SHEET: 22 610.71 kgs  
 22 610.12 kg 5M2 8-15-06



GIRDER ~ G10U



**SHOP NOTE**  
 HOLES: 1 5/16"  
 BOLTS: NONE  
 PAINT: NONE  
 FOR GENERAL SHOP NOTES, SEE DWG. G1.  
 FOR WEB CAMBER DIAGRAM, SEE DWG. W.C5.

**SHOP DRAWING REVIEW**

REVIEWED AS REQUIRED BY THE CONSTRUCTION CONTRACT DOCUMENTS AND APPROVED, BUT ONLY FOR CONFORMANCE TO THE DESIGN CONCEPT OF THE WORK, AND SUBJECT TO FURTHER LIMITATIONS AND REQUIREMENTS CONTAINED IN THE CONSTRUCTION CONTRACT DOCUMENTS.

REJECTED  REVISE AND RESUBMIT  FURNISH AS CORRECTED

CORRECTIONS OR COMMENTS MADE ON THE SHOP DRAWINGS DURING THIS REVIEW DO NOT RELIEVE CONTRACTOR FROM COMPLIANCE WITH REQUIREMENTS OF THE DRAWINGS AND SPECIFICATIONS. THIS CHECK IS ONLY FOR REVIEW OF GENERAL CONFORMANCE WITH THE DESIGN CONCEPT OF THE PROJECT AND GENERAL COMPLIANCE WITH THE INFORMATION GIVEN IN THE CONTRACT DOCUMENTS. THE CONTRACTOR IS RESPONSIBLE FOR: CONFIRMING AND CORRELATING ALL QUANTITIES AND DIMENSIONS; SELECTING FABRICATION PROCESSES AND TECHNIQUES OF CONSTRUCTION; COORDINATING HIS WORK WITH THAT OF ALL OTHER TRADES; AND PERFORMING HIS WORK IN A SAFE AND SATISFACTORY MANNER.

Vermont Engineering Consultants, Inc. Job Number: 20011  
 Engineers, Planners, and Scientists  
 Six Bedford Farms, Milton Rd.  
 Westford, NH 03086 603 844 0888  
 Reviewed By: *[Signature]*  
 Date: 11/11/04

NO.	REVISION	BY	DATE
1	INCREASE LENGTHS TO SATISFY REQUIREMENTS FOR LENGTH MEAN TEMPERATURE OF 45°F.	DP	9/20/04

**HIGH STEEL STRUCTURES, INC.**  
 1770 Hempstead Road  
 Lancaster, PA 17603-0008  
 Phone: 717-299-5211  
 A Division of High Industries, Inc.

GIRDER G10U  
 VT 78 OVER MISSISSOQUI BAY, BRIDGE NO. 2  
 VT 78 STA.10+970.425 TO STA.12+059.775  
 TOWNS OF ALBURG AND SWANTON  
 COUNTIES OF GRAND ISLE AND FRANKLIN  
 STATE OF VERMONT, AGENCY OF TRANSPORTATION

STATE CONTRACT OR REF. NO. BRV-036-111  
 CONTRACTOR CIAMBRO CORPORATION  
 IN CHARGE: GLIDDEN (IH) MADE BY: ERS CHK'D. BY: GS DATE: 8-24-04  
 CONTRACT NUMBER: VT-04057-3 DRAWING NUMBER: 82 OF 112