

METRIC 1. ALL DIMENSIONS ARE IN MILLIMETERS UNLESS OTHERWISE NOTED.
2. ALL WEIGHTS ARE IN KILOGRAMS.

FED. ROAD DIV. NO.	STATE	FED. AID PROJ. NO.
	VT	

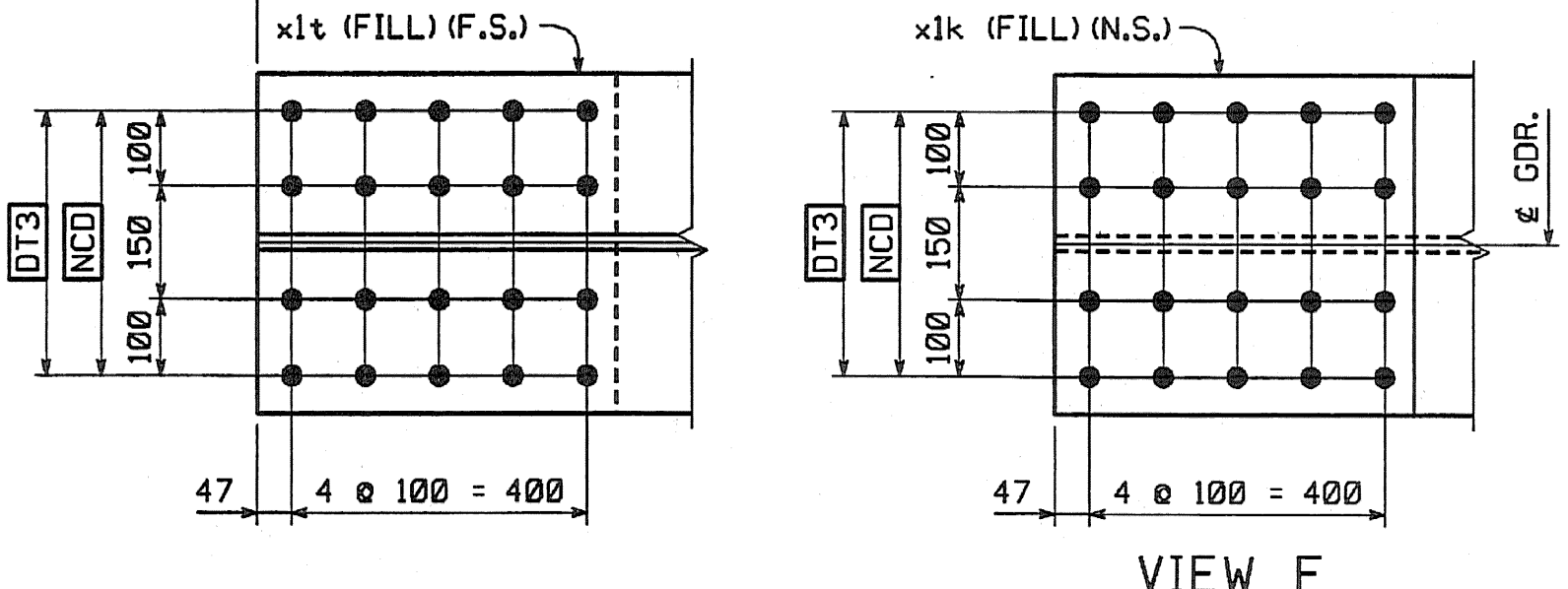
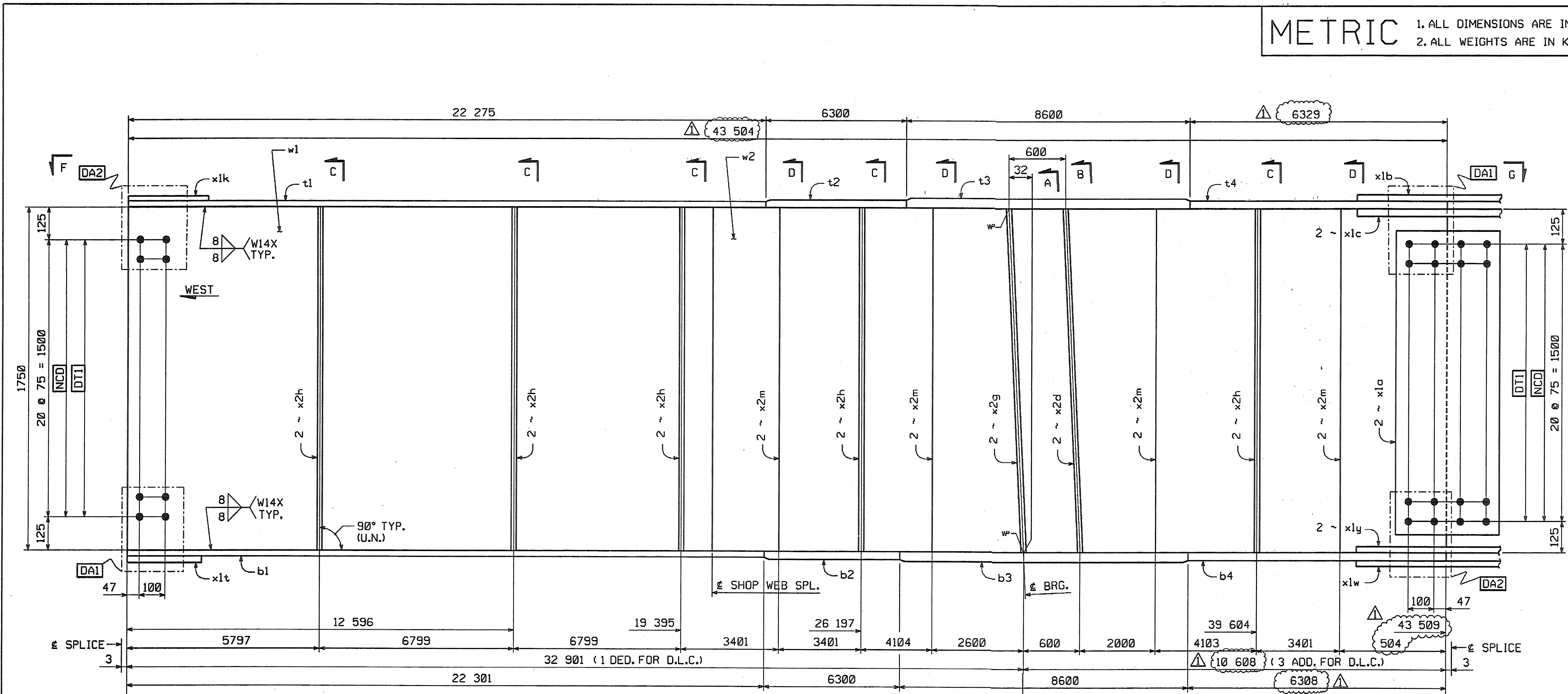
BILL OF MATERIAL

NO.	MARK	DESCRIPTION	LENGTH	REMARKS	GRP.	ITEM	SHIP. WT. KG. EA.
ONE	G10T	GRD					21 130
1	w1	PL 16 x 1750	19 908	(T)	3	9	4375.28
1	w2	PL 16 x 1750	23 608	(T)	3	2	5188.44
1	t1	PL 22 x 450	22 275	(T)	4	25	1730.90
1	t2	PL 32 x 450	6 300	(T)	4	15	712.07
1	t3	PL 65 x 450	8 600	(T)	4	3	1974.44
1	t4	PL 32 x 450	6 329	(T)	4	13	715.35
1	b1	PL 22 x 450	22 301	(T)	4	23	1732.92
1	b2	PL 32 x 450	6 300	(T)	4	15	712.07
1	b3	PL 65 x 450	8 600	(T)	4	3	1974.44
1	b4	PL 32 x 450	6 308	(T)	4	14	742.97
2	x1a	PL 12 x 1600	400	(T)	6	1	60.28
1	x1b	PL 14 x 450	790	(T)	6	6	39.06
2	x1c	PL 16 x 200	790	(T)	6	5	49.84
1	x1k	PL 18 x 450	492	FILL	6	4	31.28
1	x1l	PL 18 x 450	492	FILL	6	4	31.28
1	x1w	PL 14 x 450	790	(T)	6	6	39.06
2	x1y	PL 16 x 200	790	(T)	6	5	49.84
2	x2d	PL 38 x 200	1 750		7	1	104.39
2	x2g	PL 38 x 200	1 750		7	1	104.39
10	x2h	PL 12 x 180	1 750		7	4	29.67
8	x2m	PL 12 x 180	1 750		7	4	29.67

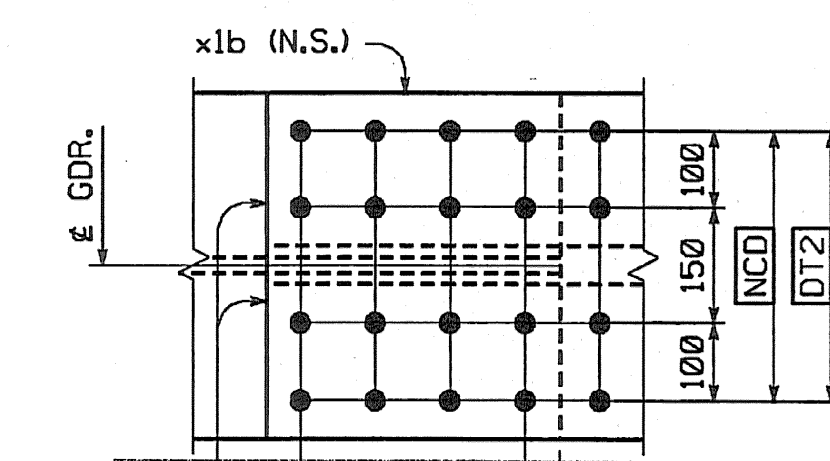
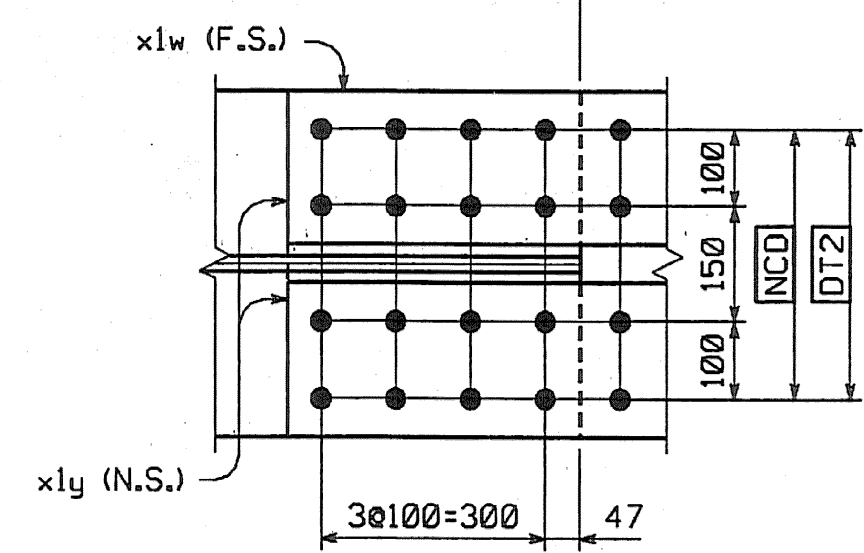
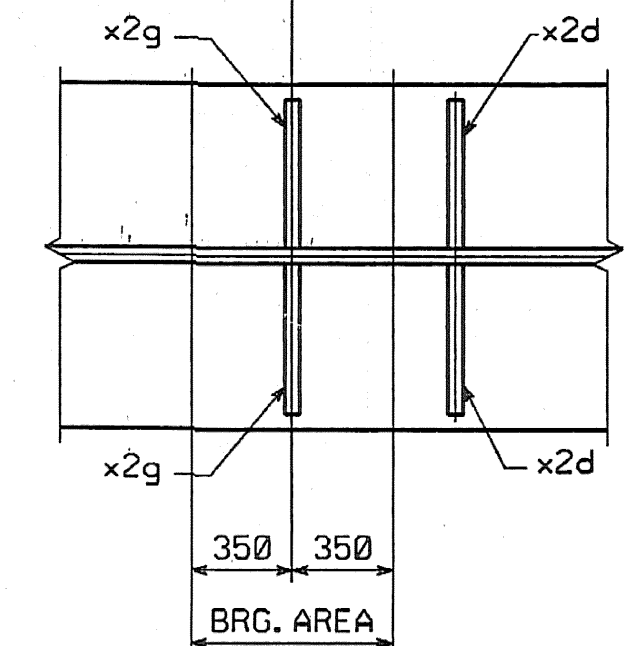
TOTAL WEIGHT THIS SHEET: **24 421.14** kgs

2121.457k
2121.47k
JML 8-15-06
SMZ 8-8-06

952.73 ✓
1731.10 ✓
712.15 ✓
1974.67 ✓
715.43 ✓
1732.92 ✓
712.15 ✓
1974.67 ✓
713.06 ✓
120.58 ✓
39.07 ✓
39.69 ✓
31.28 ✓
39.07 ✓
39.67 ✓
208.81 ✓
296.73 ✓
237.38 ✓
08-22-06



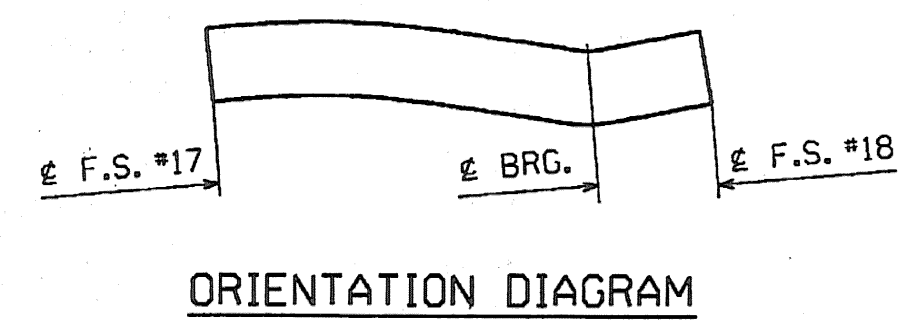
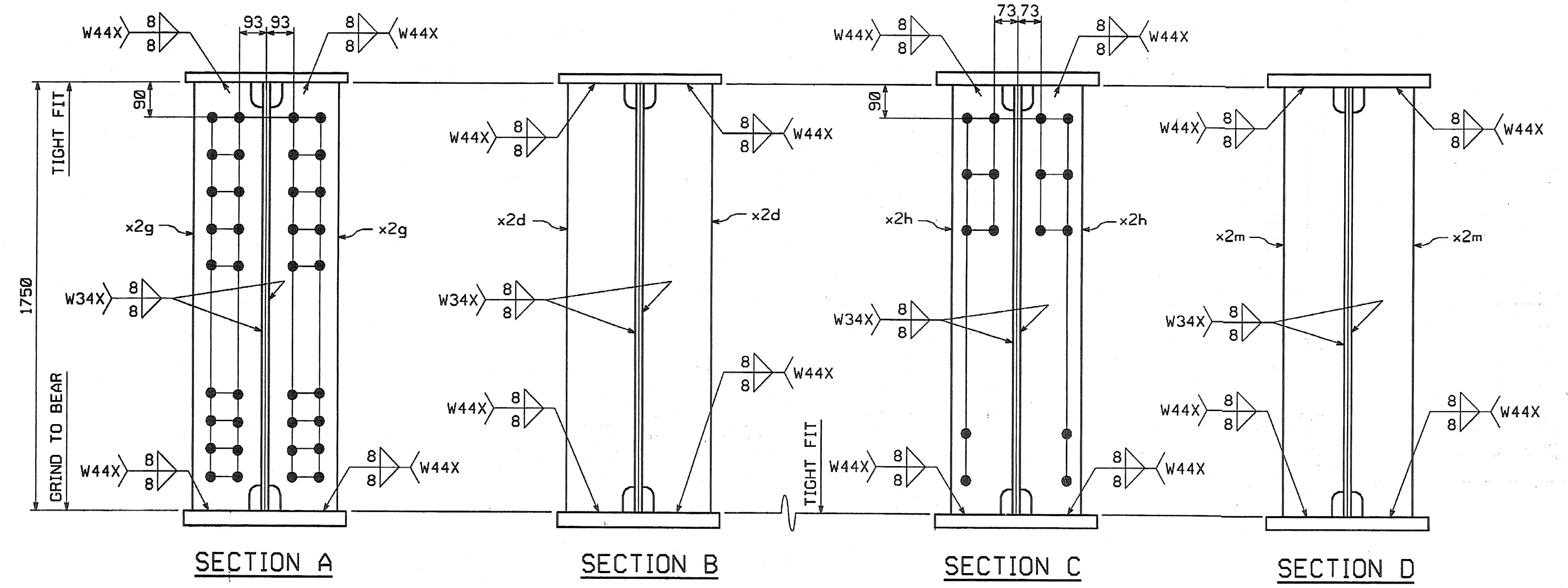
GIRDER ~ G10T



SECTION 500 REVIEW

REVIEWED AS REQUIRED BY THE CONSTRUCTION CONTRACT DOCUMENTS AND APPROVED, BUT ONLY FOR CONFORMANCE WITH THE DESIGN INTENT OF THE CONTRACT DOCUMENTS. THIS REVIEW IS NOT A GUARANTEE OF THE DESIGN OR CONSTRUCTION OF THE PROJECT AND DOES NOT CONSTITUTE A PROFESSIONAL ENGINEERING OR ARCHITECTURAL OPINION. THE REVIEWER ASSUMES NO LIABILITY FOR ANY ERRORS OR OMISSIONS IN THE DESIGN OR CONSTRUCTION OF THE PROJECT.

REVIEWED BY: *[Signature]*



SHOP NOTE
HOLES: 1 5/16"
BOLTS: NONE
PAINT: NONE
FOR GENERAL SHOP NOTES, SEE DWG. G01.
FOR WEB CAMBER DIAGRAM, SEE DWG. WC4.

NO.	REVISION	DATE
	INCREASE LENGTHS TO SATISFY REQUIREMENTS FOR LENGTH & MEAN TEMPERATURE OF 45F.	9/20/04

HIGH STEEL STRUCTURES, INC.

1770 Hempstead Road
Lancaster, PA 17605-0008
Phone 717/299-5211

GIRDER G10T

VT 78 OVER MISSISQUOI BAY, BRIDGE NO. 2
VT 78 STA.10+970.425 TO STA.12+059.775
TOWNS OF ALBURG AND SWANTON
COUNTIES OF GRAND ISLE AND FRANKLIN
STATE OF VERMONT, AGENCY OF TRANSPORTATION

STATE CONTRACT OR REF. NO. BRF-036-1(1)

CONTRACTOR: CIAMBRO CORPORATION

IN CHARGE: GLIDDEN (IH) MADE BY: SSL CHK'D. BY: GS DATE: 8-24-04

CONTRACT NUMBER: VT-04057-3 DRAWING NUMBER: 78 OF 112