

METRIC

1. ALL DIMENSIONS ARE IN MILLIMETERS UNLESS OTHERWISE NOTED.
2. ALL WEIGHTS ARE IN KILOGRAMS.

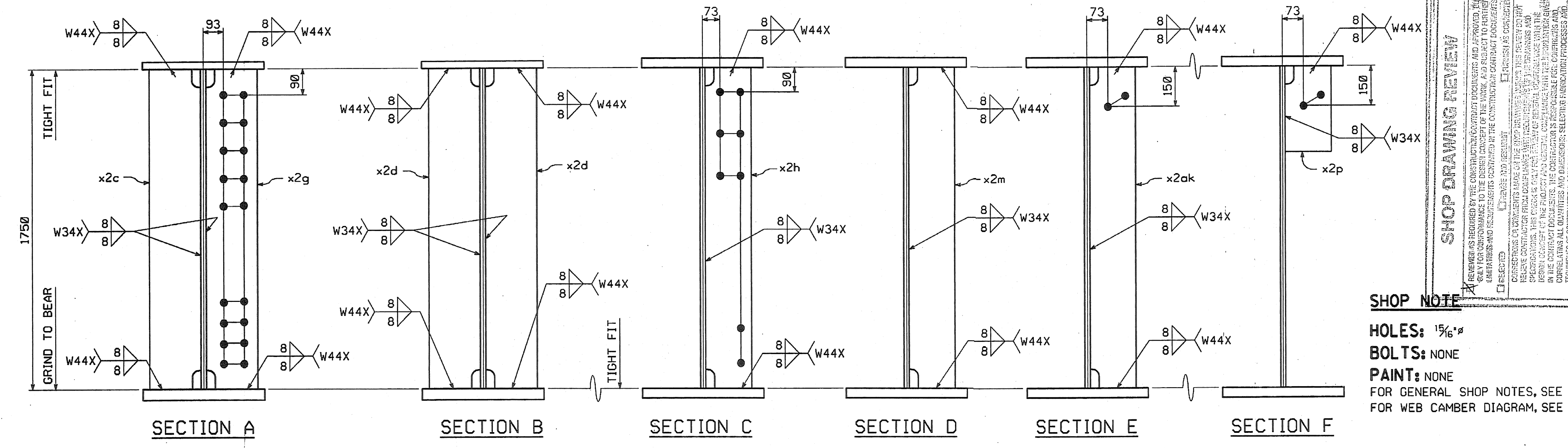
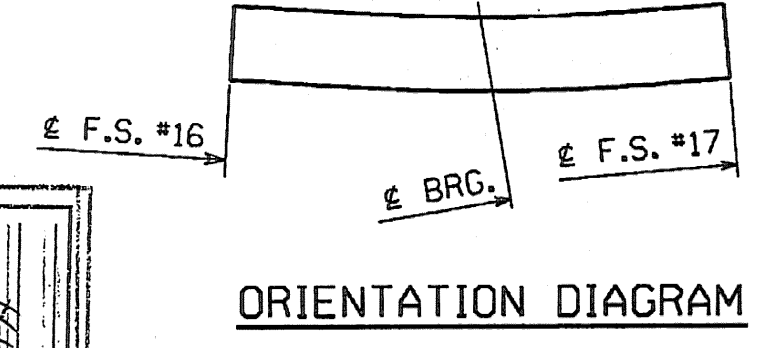
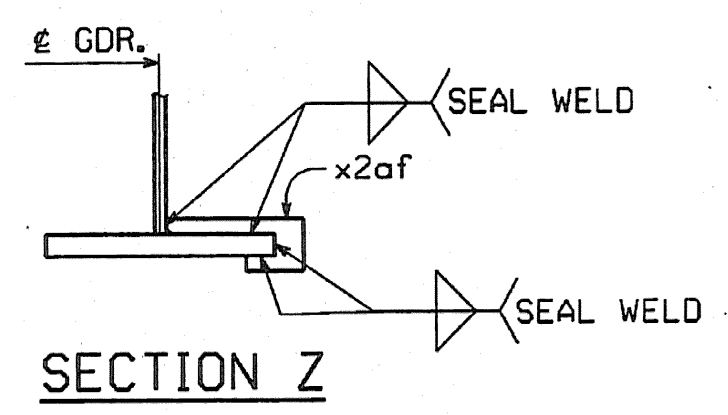
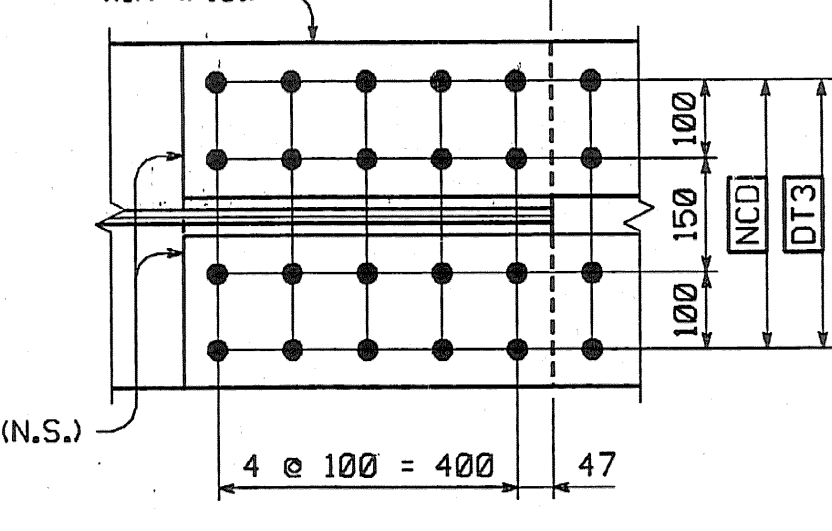
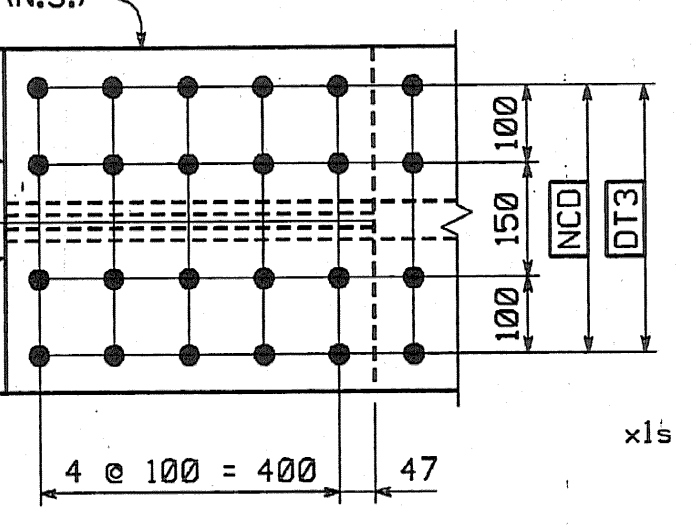
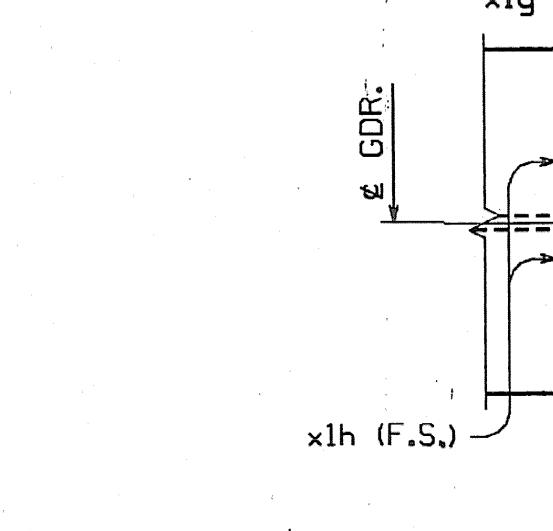
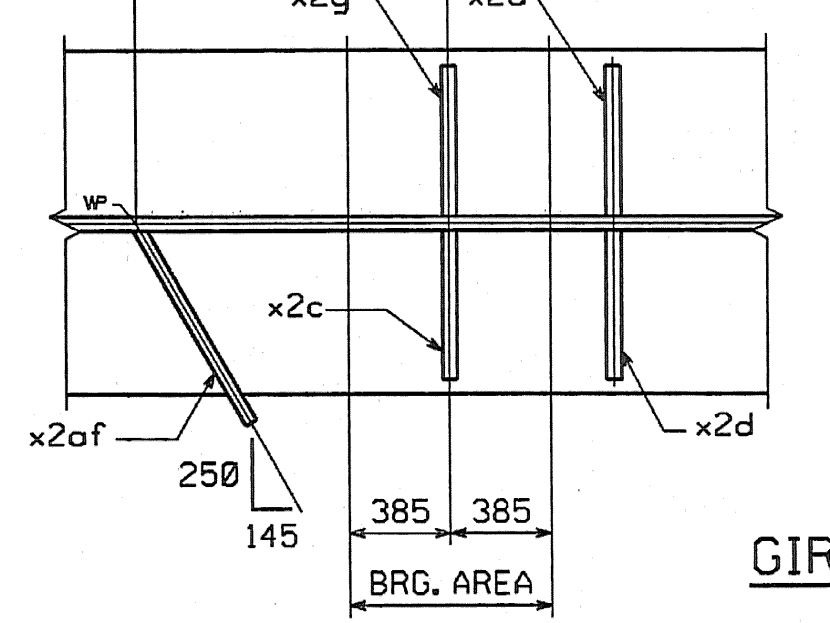
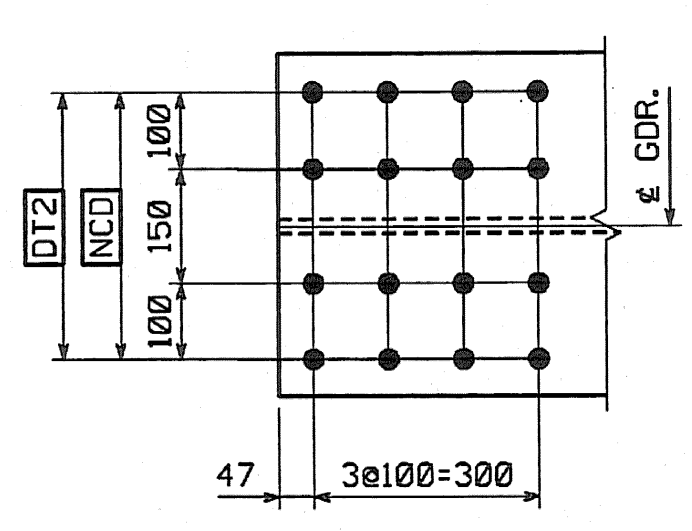
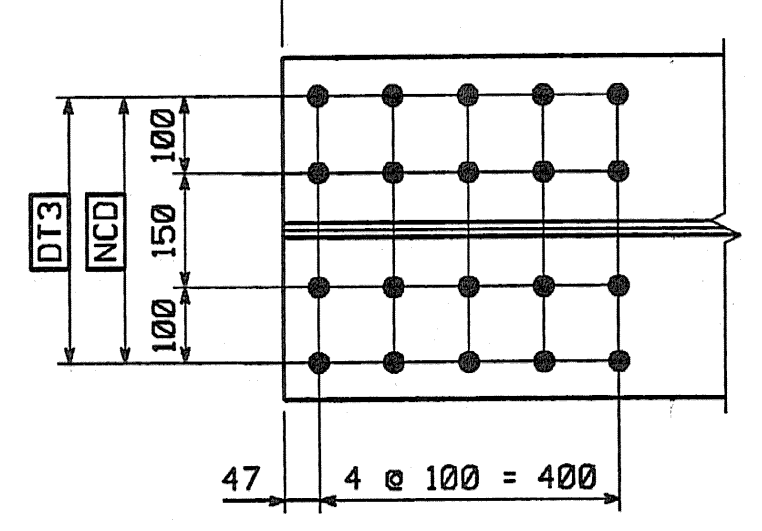
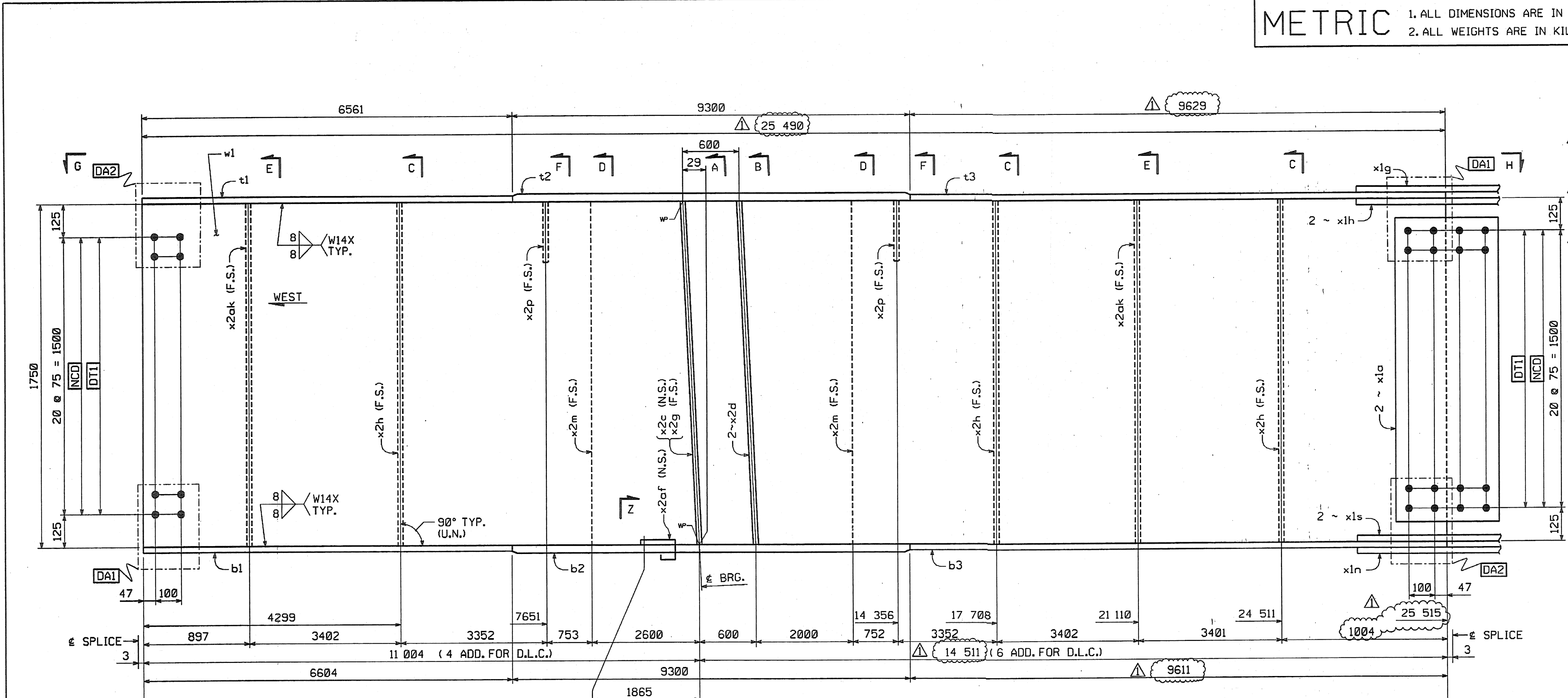
FED. ROAD DIV. NO.	STATE	FED. AID PROJ. NO.
	VT	

BILL OF MATERIAL

NO.	MARK	DESCRIPTION	LENGTH	REMARKS	GRP.	ITEM	SHIP. WT. KG. EA.
ONE	G12S	GIRDER					16 400
1	w1	PL 16 x 1750	25 515	(T) 25515	3	3	5807.55
1	t1	PL 40 x 450	6 561	(T)	4	12	925.98
1	t2	PL 80 x 450	9 300	(T)	4	1	2627.88
1	t3	PL 40 x 450	9 630	(T) 9629	4	6	1360.56
1	b1	PL 40 x 450	6 604	(T)	4	11	933.04
1	b2	PL 80 x 450	9 300	(T)	4	1	2627.88
1	b3	PL 40 x 450	9 612	(T) 9611	4	7	1358.02
2	x1a	PL 12 x 1600	400	(T)	6	1	60.28
1	x1g	PL 14 x 450	990	(T)	6	6	48.95
2	x1h	PL 16 x 200	990	(T)	6	5	24.87
1	x1n	PL 14 x 450	990	(T)	6	6	48.95
2	x1s	PL 16 x 200	990	(T)	6	5	24.87
1	x2c	PL 38 x 200	1 750		7	1	104.39
2	x2d	PL 38 x 200	1 750		7	1	104.39
1	x2g	PL 38 x 200	1 750		7	1	104.39
3	x2h	PL 12 x 180	1 750		7	4	29.67
2	x2m	PL 12 x 180	1 750		7	4	29.67
2	x2p	PL 14 x 180	310		7	3	6.19
1	x2af	PL 6 x 130	301	*V1-54150m ²	7	5	1.84
2	x2ak	PL 12 x 180	1 750		7	4	29.67
TOTAL WEIGHT THIS SHEET:							16 399.2 kgs

5605.45
927.07
2628.18
1360.56
933.04
2627.88
1358.03
120.52
48.96
49.74
48.96
49.74
104.39
104.39
29.67
29.67
6.19
1.84
29.67

*SEE SHEET S-112
16396.89 kg
JML
8-9-06
09-12-06



SHOP DRAWING REVIEW

REVIEWED BY: [Signature]

DATE: [Date]

PROJECT: [Project Name]

CONTRACTOR: [Contractor Name]

DESIGNER: [Designer Name]

DATE: [Date]

SHOP NOTE

HOLES: 1 5/16"

BOLTS: NONE

PAINT: NONE

FOR GENERAL SHOP NOTES, SEE DWG. GNI.

FOR WEB CAMBER DIAGRAM, SEE DWG. WC4.

NO.	REVISION	BY	DATE
INCREASE LENGTHS TO SATISFY REQUIREMENTS FOR LENGTH & MEAN TEMPERATURE OF 45°F.			
NO.	REVISION	BY	DATE

1770 Hempstead Road
Lancaster, PA 17605-0008
Phone 717/299-5218

HIGH STEEL STRUCTURES, INC.

A Division of High Industries, Inc.

GIRDER G12S

VT 78 OVER MISSISSQUOI BAY, BRIDGE NO. 2

VT 78 STA.10+970.425 TO STA.12+053.775

TOWNS OF ALBURG AND SWANTON

COUNTIES OF GRAND ISLE AND FRANKLIN

STATE OF VERMONT, AGENCY OF TRANSPORTATION

STATE CONTRACT OR REF. NO. BRF-036-1(1)

CONTRACTOR CIAMBRO CORPORATION

IN CHARGE: GLIDDEN (IH) MADE BY: ERS CHK'D. BY: CS DATE: 8-24-04

CONTRACT NUMBER: VT-04057-3 DRAWING NUMBER: 76 OF 112

BY: dpmarter
PLOTTED: 9/29/2004 10:23:53 PM