

METRIC

1. ALL DIMENSIONS ARE IN MILLIMETERS UNLESS OTHERWISE NOTED.
2. ALL WEIGHTS ARE IN KILOGRAMS.

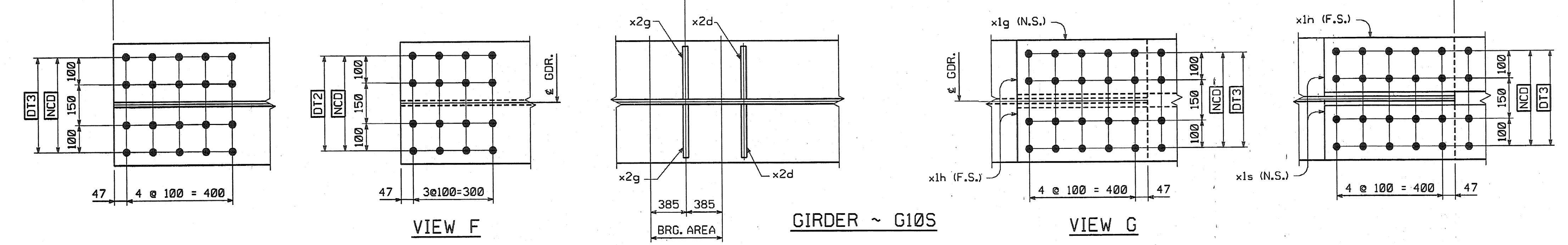
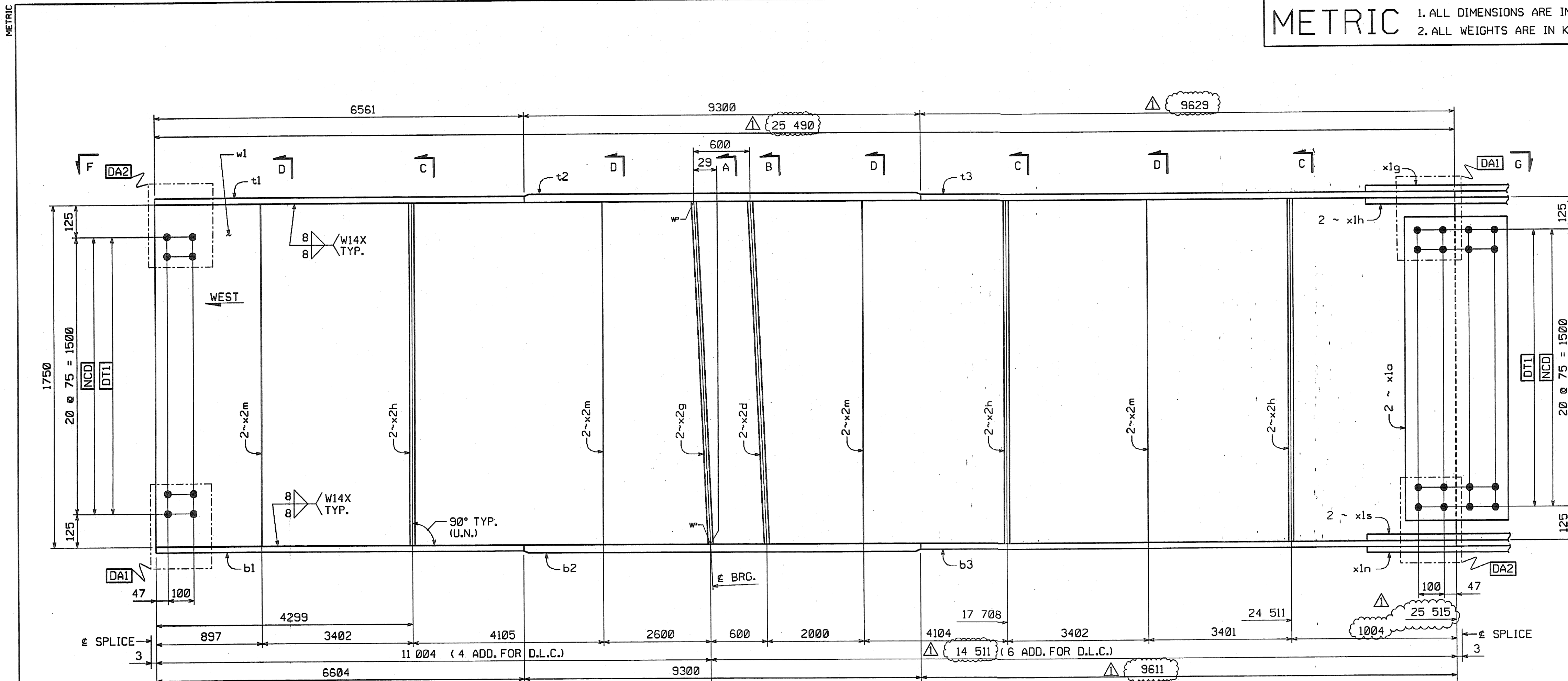
FED. ROAD DIV. NO.	STATE	FED. AID PROJ. NO.
	VT	

BILL OF MATERIAL

NO.	MARK	DESCRIPTION	LENGTH	REMARKS	GRP.	ITEM	SHIP. WT. KG. EA.
ONE G10S GIRDER							
1	w1	PL 16 x 1750	26 515	(T) 25502	3	3	5607.65
1	t1	PL 40 x 450	6 561	(T)	4	12	926.96
1	t2	PL 80 x 450	9 300	(T)	4	1	2627.88
1	t3	PL 40 x 450	9 630	(T) 9629	4	6	1360.56
1	b1	PL 40 x 450	6 604	(T)	4	11	933.04
1	b2	PL 80 x 450	9 300	(T)	4	1	2627.88
1	b3	PL 40 x 450	9 642	(T) 9611	4	7	1358.02
2	x1a	PL 12 x 1600	400	(T)	6	1	60.28
1	x1g	PL 14 x 450	990	(T)	6	6	48.95
2	x1h	PL 16 x 200	990	(T)	6	5	24.87
1	x1n	PL 14 x 450	990	(T)	6	6	48.95
2	x1s	PL 16 x 200	990	(T)	6	5	24.87
2	x2d	PL 38 x 200	1 750		7	1	104.39
2	x2g	PL 38 x 200	1 750		7	1	104.39
6	x2h	PL 12 x 180	1 750		7	4	29.67
8	x2m	PL 12 x 180	1 750		7	4	29.67
TOTAL WEIGHT THIS SHEET:							46 592.78 kgs

5605.65 ✓
927.07 ✓
2627.88 ✓
1360.56 ✓
933.04 ✓
2627.88 ✓
1358.02 ✓
120.58 ✓
48.95 ✓
24.87 ✓
48.95 ✓
24.87 ✓
104.39 ✓
104.39 ✓
29.67 ✓
29.67 ✓
38

16591.36 kg JMR 8-9-06
16591.55 kg M
08-21-06
08-22-06



SHOP DRAWING REVIEW

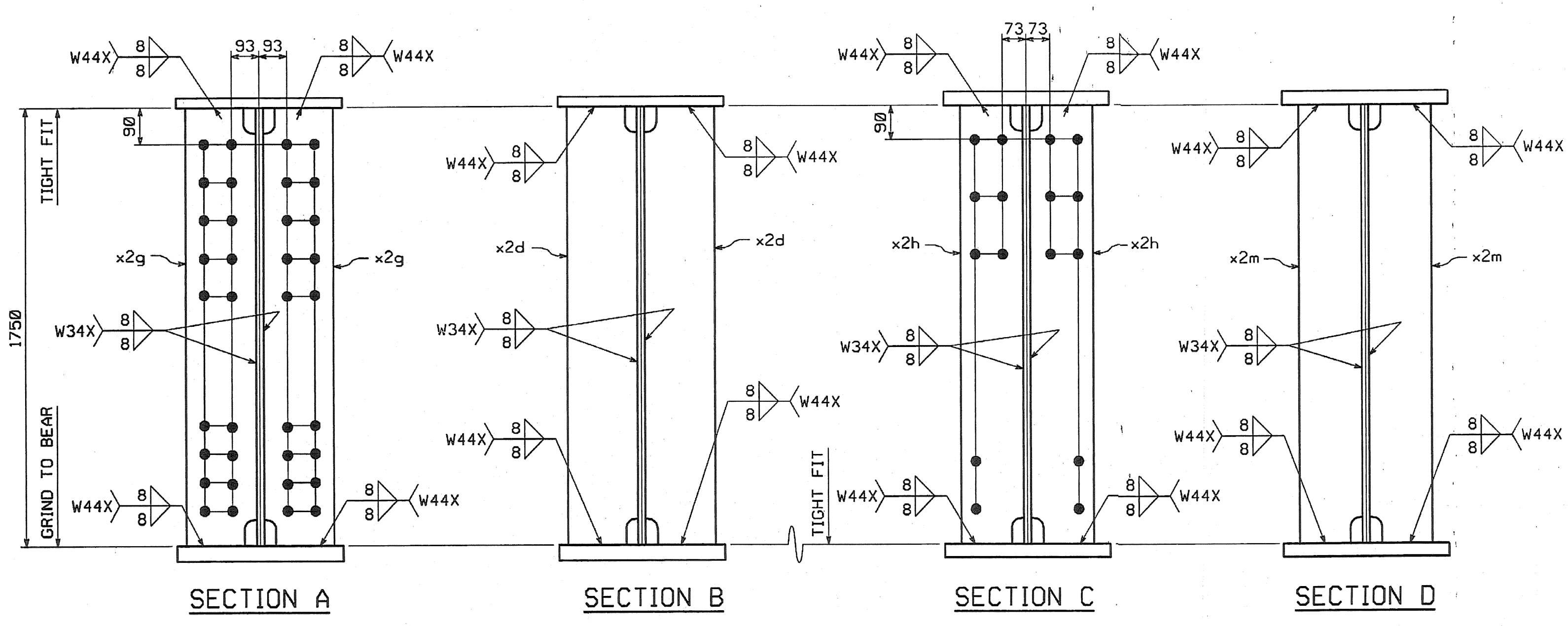
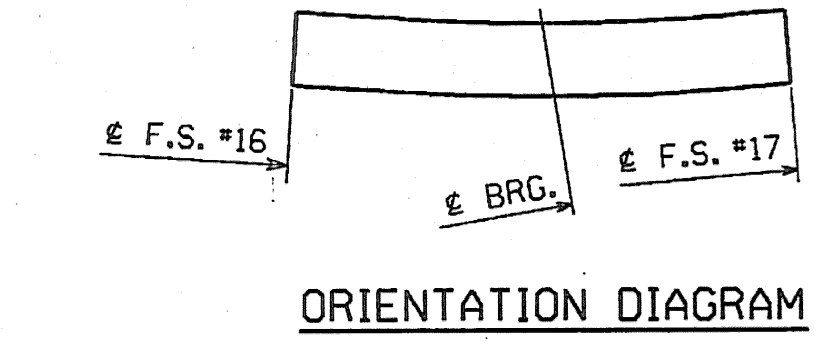
REMOVED AS REQUIRED BY THE CONSTRUCTION CONTRACT DOCUMENTS AND APPROVED, BUT ONLY FOR COMPLIANCE TO THE DESIGN CONCEPT OF THE WORK, AND SUBJECT TO FURTHER LIMITATIONS AND REQUIREMENTS CONTAINED IN THE CONSTRUCTION CONTRACT DOCUMENTS.

REJECTED REVISE AND RE-SUBMIT FURNISH AS CORRECTED

CORRECTIONS OR COMMENTS MADE ON THE SHOP DRAWINGS DURING THIS REVIEW DO NOT RELIEVE CONTRACTOR FROM COMPLIANCE WITH REQUIREMENTS OF THE DRAWINGS AND SPECIFICATIONS. THIS REVIEW IS ONLY FOR REVIEW OF MATERIAL COMPLIANCE WITH THE DESIGN CONCEPT OF THE PROJECT AND IS NOT A GUARANTEE OF THE WORKMANSHIP SHOWN IN THE CONTRACT DOCUMENTS. THE CONTRACTOR IS RESPONSIBLE FOR CORRECTING AND CORRECTING ALL QUALITIES AND DEFICIENCIES. ALL WORK IS TO BE PERFORMED IN ACCORDANCE WITH THE CONSTRUCTION CONTRACT DOCUMENTS AND ALL OTHER TRADES AND PERSONNEL WHO WORK IN A SAFE AND SATISFACTORY MANNER.

Venapro Hargrove Consulting, Inc.
Engineers, Planners, and Scientists
One Oxford Farm, 6000 Rd.
Bedford, NH 03110 603 844 0088

Job Number: 0911
Reviewed By: [Signature]
Date: 11/10/04



SHOP NOTE

HOLES: 15/16" Ø
BOLTS: NONE
PAINT: NONE
FOR GENERAL SHOP NOTES, SEE DWG. GNI.
FOR WEB CAMBER DIAGRAM, SEE DWG. WC4.

△			
△			
△	INCREASE LENGTHS TO SATISFY REQUIREMENTS FOR LENGTH @ MEAN TEMPERATURE OF 45°F.	DP	9/20/04
NO.	REVISION	BY	DATE
 1770 Hempstead Road Lancaster, PA 17605-0008 Phone 717/239-5211 A Division of High Industries, Inc.			
GIRDER		G10S	
VT 78 OVER MISSISQUOI BAY, BRIDGE NO. 2			
VT 78 STA.10+970.425 TO STA.12+059.775			
TOWNS OF ALBURG AND SWANTON			
COUNTIES OF GRAND ISLE AND FRANKLIN			
STATE OF VERMONT, AGENCY OF TRANSPORTATION			
STATE CONTRACT OR REF. NO. BRF-036-1(1)			
CONTRACTOR CIAMBRO CORPORATION			
IN CHARGE: GLIDDEN (IH)	MADE BY: [Signature]	CHK'D BY: CS	DATE: 8-24-04
CONTRACT NUMBER: VT-04057-3		DRAWING NUMBER: 74 OF 112	

BY: dpanner
PLOTTED: 9/20/2004 10:55 PM

CODE:30