

METRIC 1. ALL DIMENSIONS ARE IN MILLIMETERS UNLESS OTHERWISE NOTED. 2. ALL WEIGHTS ARE IN KILOGRAMS.

BILL OF MATERIAL

NO.	MARK	DESCRIPTION	LENGTH	REMARKS	GRP.	ITEM	SHIP. WT. KG. EA.
ONE	G9S	GIRDER					16 390
1	w1	PL 16 x 1750	25 615 (F)	25502	3	3	5807.55
1	t1	PL 40 x 450	6 561 (T)		4	12	927.07
1	t2	PL 80 x 450	9 300 (T)		4	1	2827.88
1	t3	PL 40 x 450	9 890 (T)	9629	4	6	1360.56
1	b1	PL 40 x 450	6 804 (T)		4	11	933.04
1	b2	PL 80 x 450	9 300 (T)		4	1	2827.88
1	b3	PL 40 x 450	9 612 (T)	9611	4	7	1358.02
2	x1a	PL 12 x 1600	400 (T)		6	1	-60.28
1	x1g	PL 14 x 450	990 (T)		6	6	48.95
2	x1h	PL 16 x 200	990 (T)		6	5	24.87
1	x1n	PL 14 x 450	990 (T)		6	6	48.95
2	x1s	PL 16 x 200	990 (T)		6	5	24.87
1	x2c	PL 38 x 200	1 750		7	1	104.39
2	x2d	PL 38 x 200	1 750		7	1	104.39
1	x2g	PL 38 x 200	1 750		7	1	104.39
3	x2h	PL 12 x 180	1 750		7	4	29.67
4	x2m	PL 12 x 180	1 750		7	4	29.67
1	x2ag	PL 6 x 130	301	VEL = 34150 m ²	7	5	1.84

TOTAL WEIGHT THIS SHEET: **-16 386.93** kgs

* SEE SHEET 5 OF 11A
 16384.62 kg JAR 8-9-06
 16384.62 kg
 1-3-7-06
 08-22-06

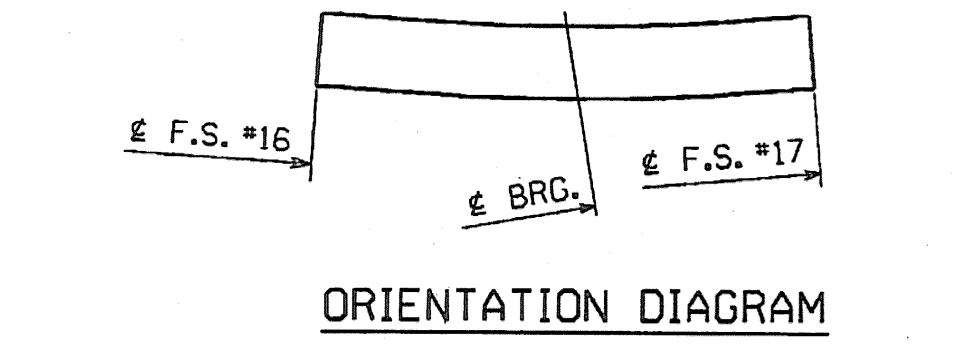
SHOP DRAWING REVIEW

REVIEWED AS REQUIRED BY THE CONSTRUCTION CONTRACT DOCUMENTS AND APPROVED, BUT ONLY FOR CONFORMANCE TO THE DESIGN CONCEPT OF THE WORK, AND SUBJECT TO FURTHER LIMITATIONS AND REQUIREMENTS CONTAINED IN THE CONSTRUCTION CONTRACT DOCUMENTS.

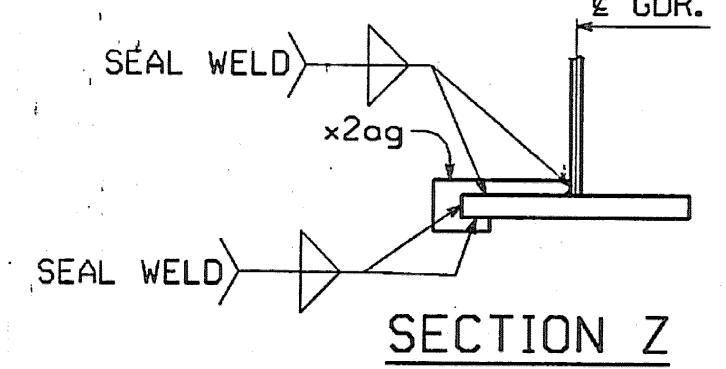
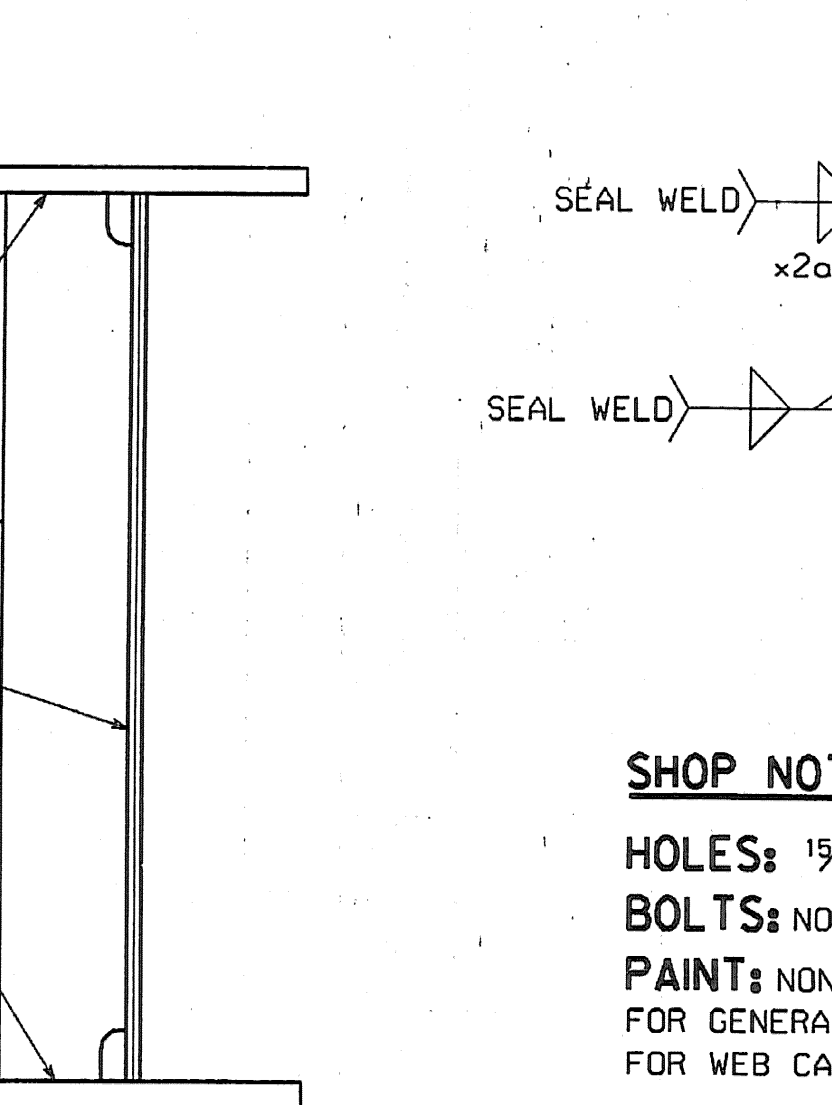
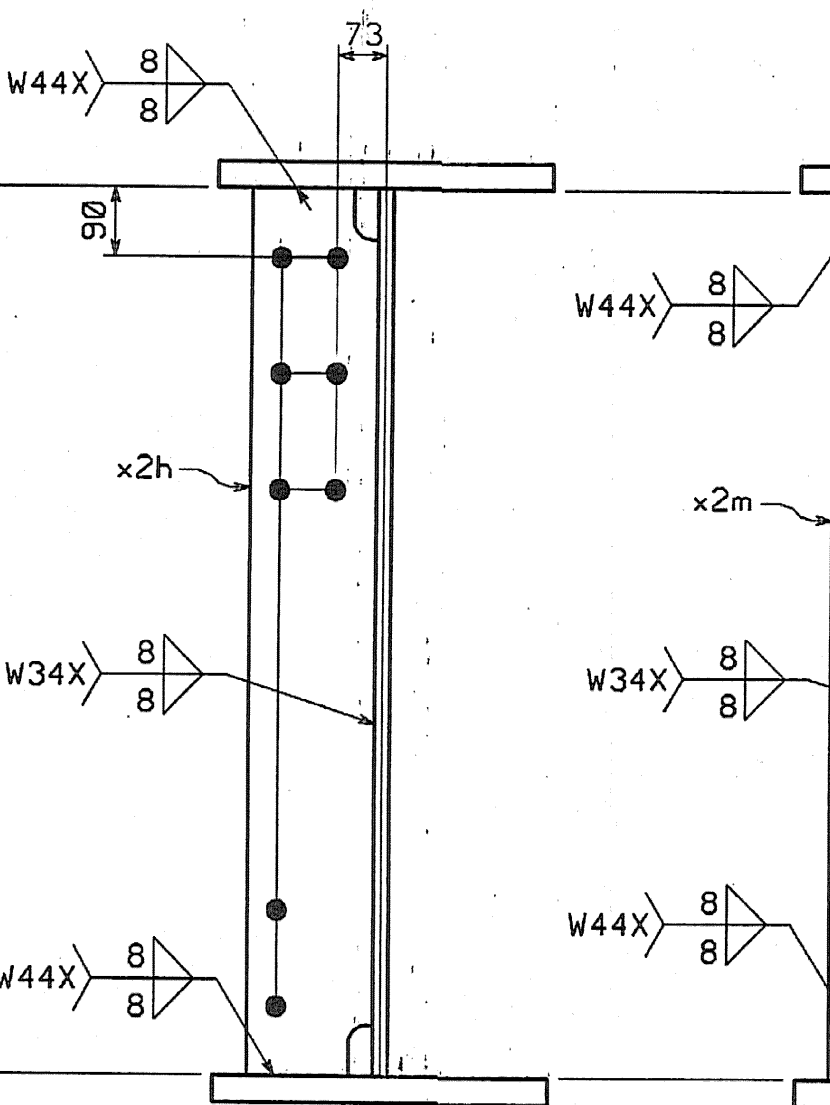
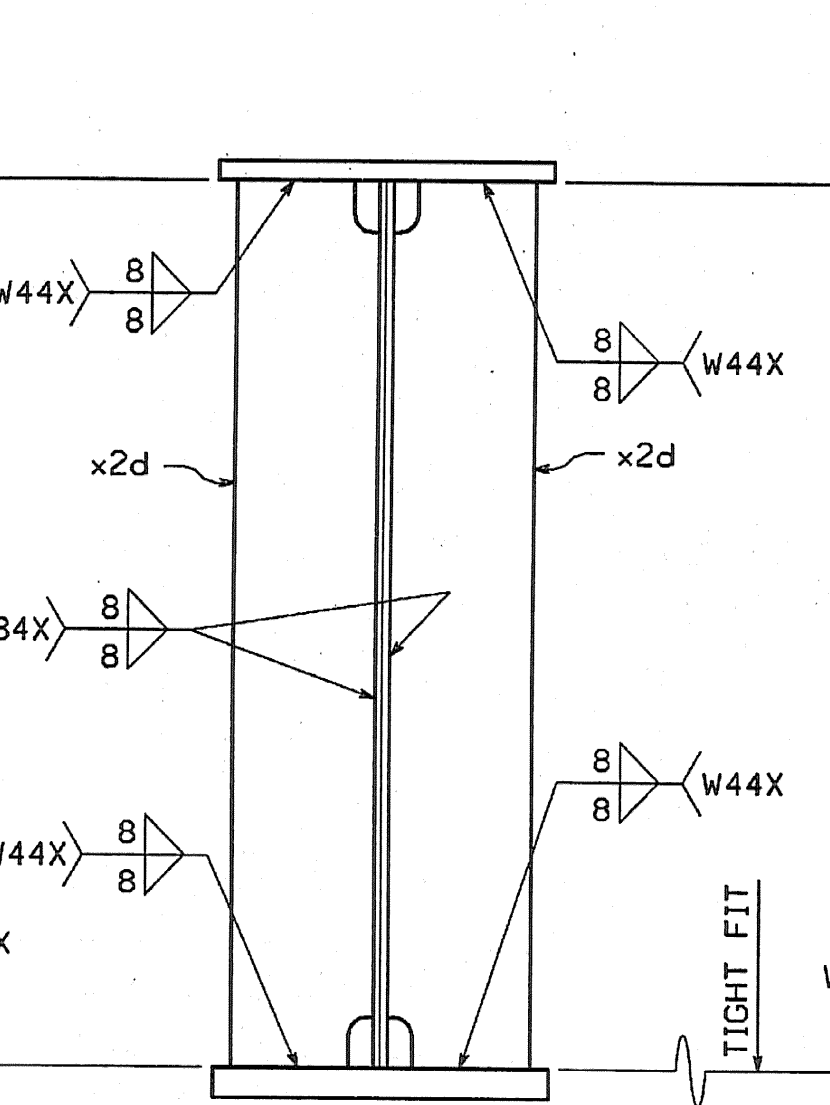
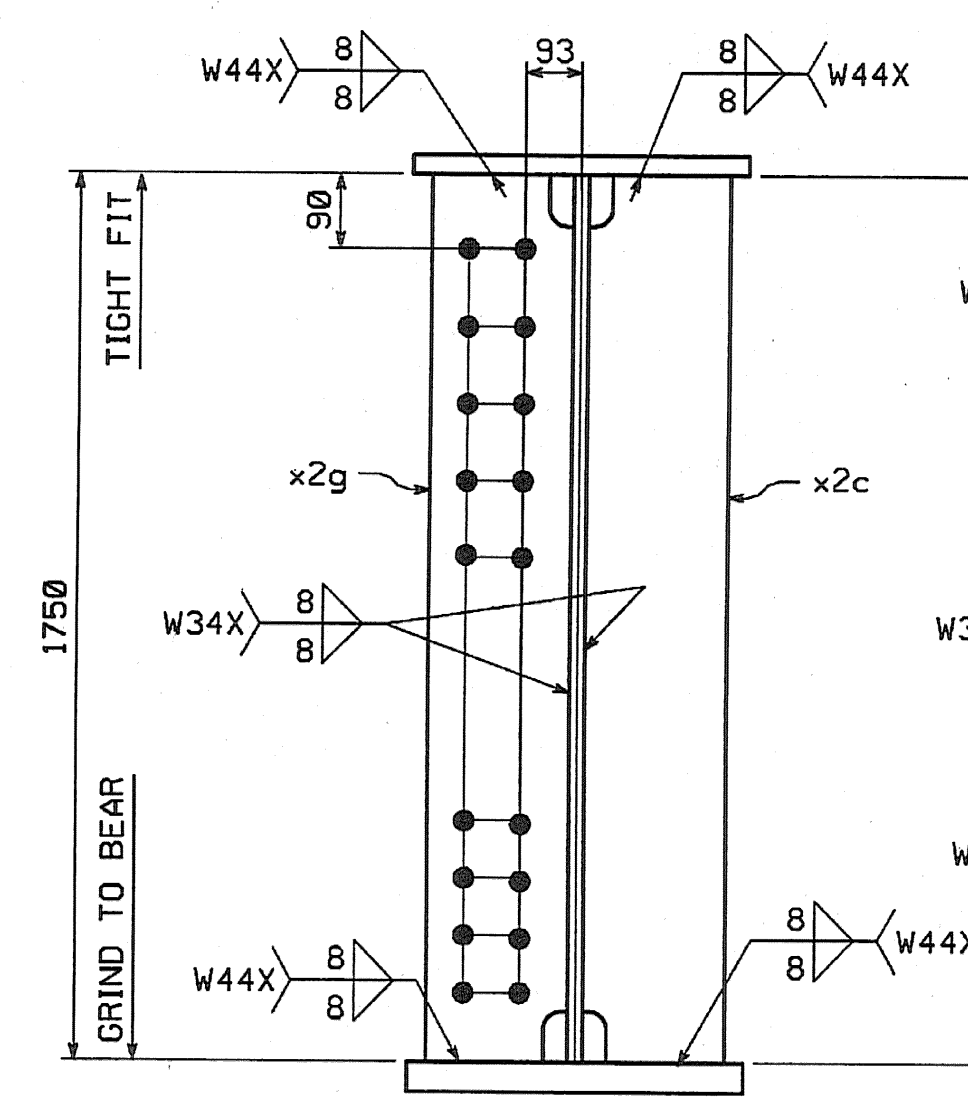
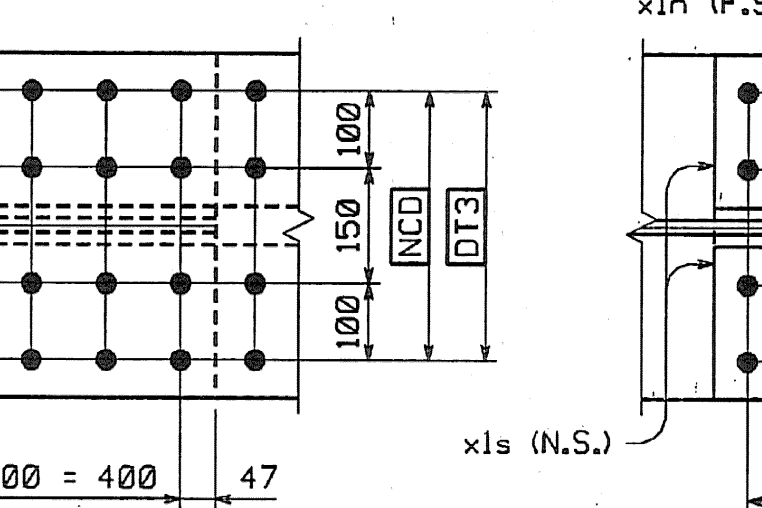
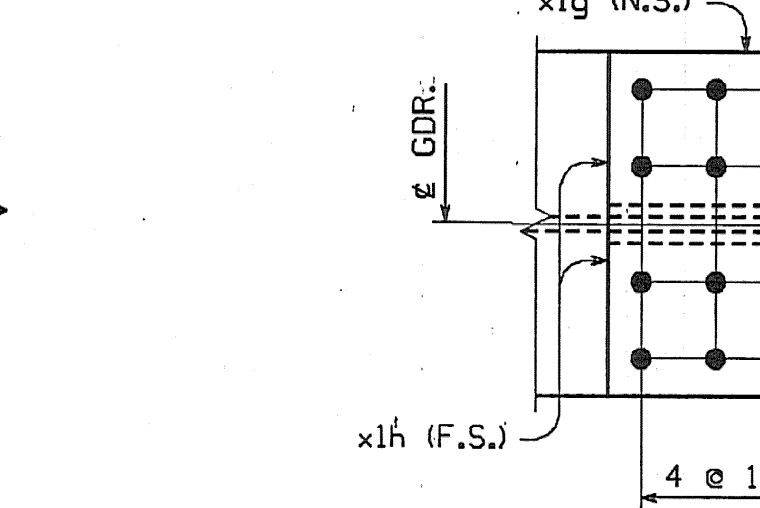
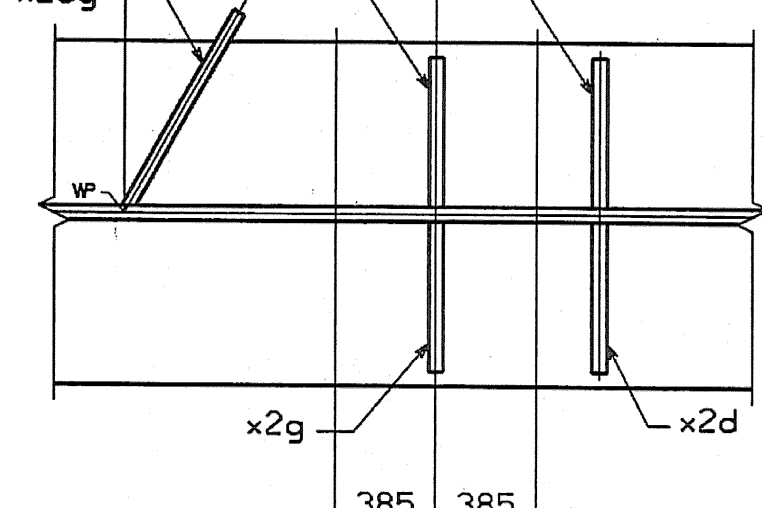
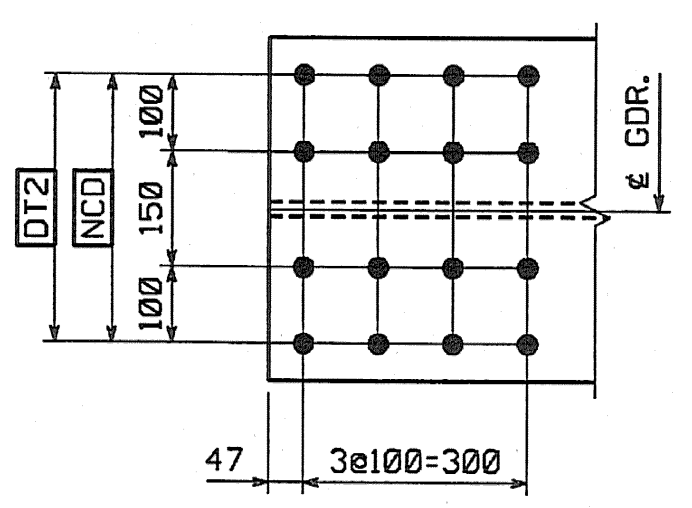
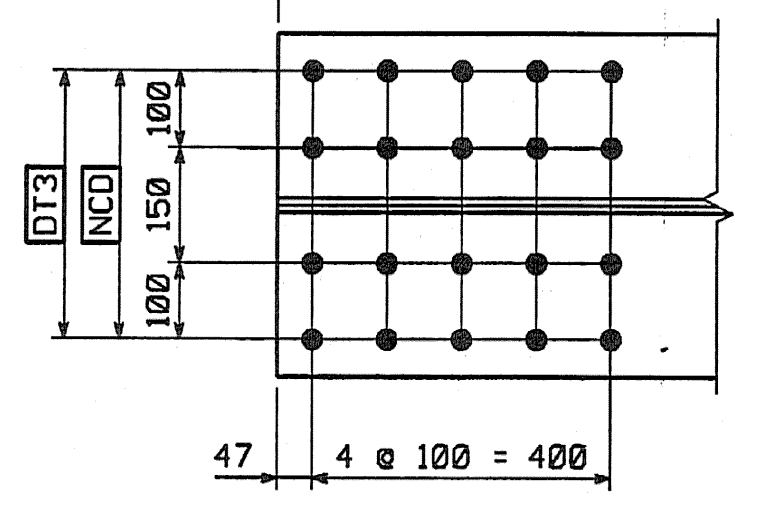
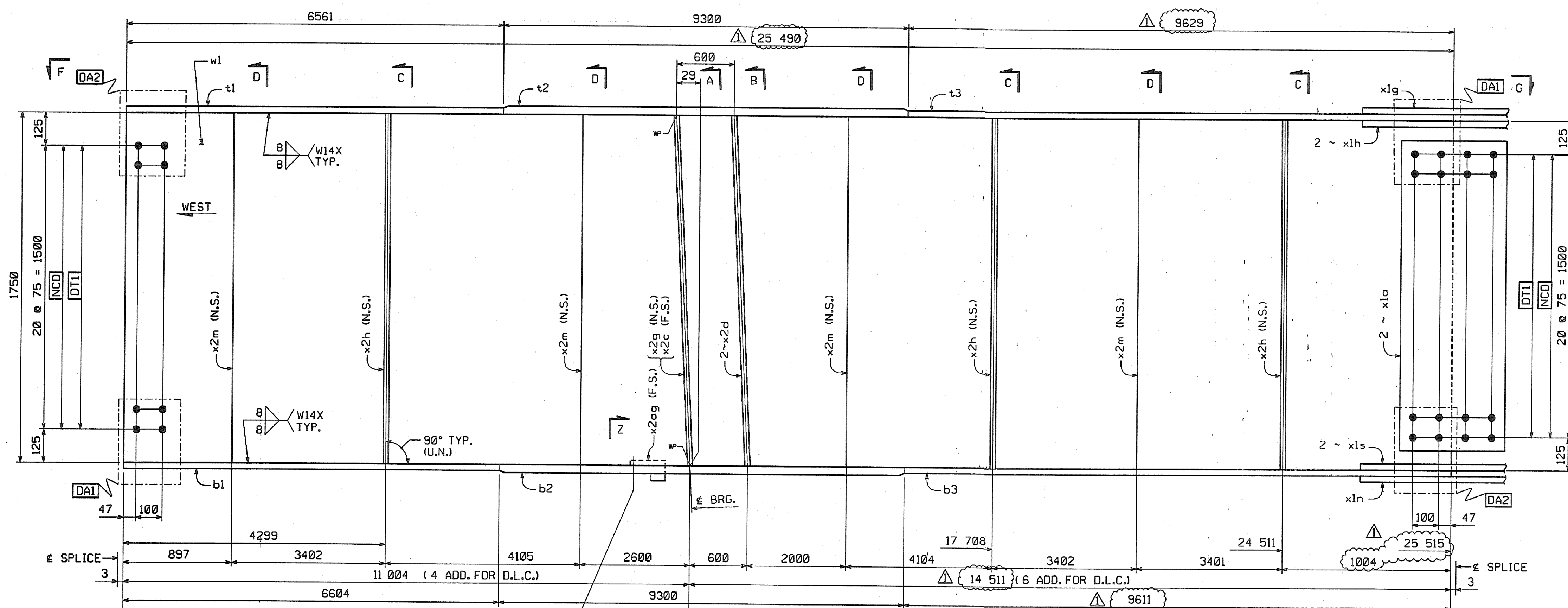
REJECTED REVISE AND RESUBMIT FURNISH AS CORRECTED

CORRECTIONS OR COMMENTS MADE ON THE SHOP DRAWINGS DURING THIS REVIEW DO NOT RELIEVE THE CONTRACTOR FROM LIABILITY WITH RESPECT TO THE DESIGN AND SPECIFICATIONS. THIS CHECK IS ONLY FOR REVIEW OF GENERAL CONFORMANCE WITH THE DESIGN CONCEPT OF THE PROJECT AND IS NOT A GUARANTEE OF THE INFORMATION GIVEN IN THE CONTRACT DOCUMENTS. THE CONTRACTOR IS RESPONSIBLE FOR CORRECTING AND CORRELATING ALL DIMENSIONS AND LOCATIONS TO THE DESIGN SPECIFICATIONS AND TOLERANCES OF CONSTRUCTION, COORDINATING ALL WORK WITH THAT OF ALL OTHER TRADES, AND FURNISHING THE WORK IN A SAFE AND CRAFTSMANLIKE MANNER.

Reviewed By: *[Signature]*
 Date: 9/20/04



NO.	REVISION	DP	DATE
		9/20/04	
<p>INCREASE LENGTHS TO SATISFY REQUIREMENTS FOR LENGTH @ MEAN TEMPERATURE OF 45°F.</p>			
<p>CONTRACTOR: CIANBRO CORPORATION</p>			
<p>IN CHARGE: GLIDDEN (JH) MADE BY: SES CHK'D. BY: CS DATE: 8-24-04</p>			
<p>CONTRACT NUMBER: VT-04057-3 DRAWING NUMBER: 73 OF 112</p>			



SHOP NOTE

HOLES: 1 1/16" ø
 BOLTS: NONE
 PAINT: NONE
 FOR GENERAL SHOP NOTES, SEE DWG. GNI.
 FOR WEB CAMBER DIAGRAM, SEE DWG. WC4.