

METRIC 1. ALL DIMENSIONS ARE IN MILLIMETERS UNLESS OTHERWISE NOTED.
2. ALL WEIGHTS ARE IN KILOGRAMS.

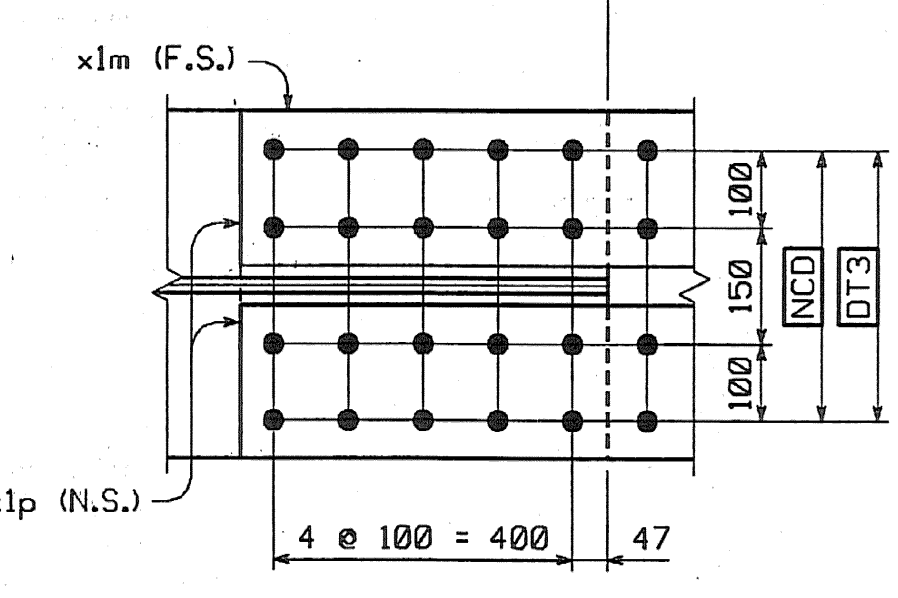
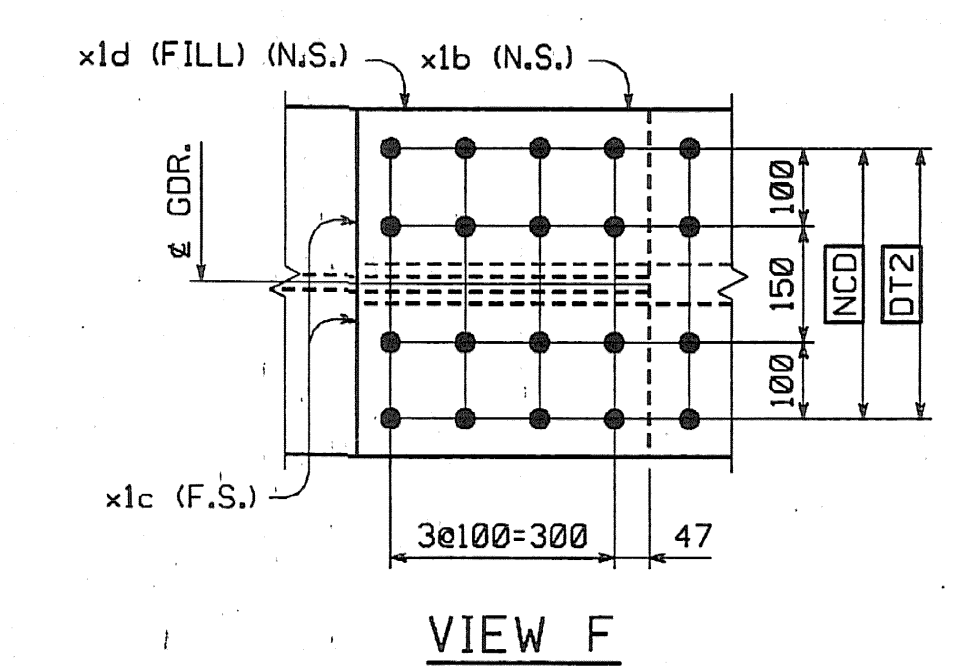
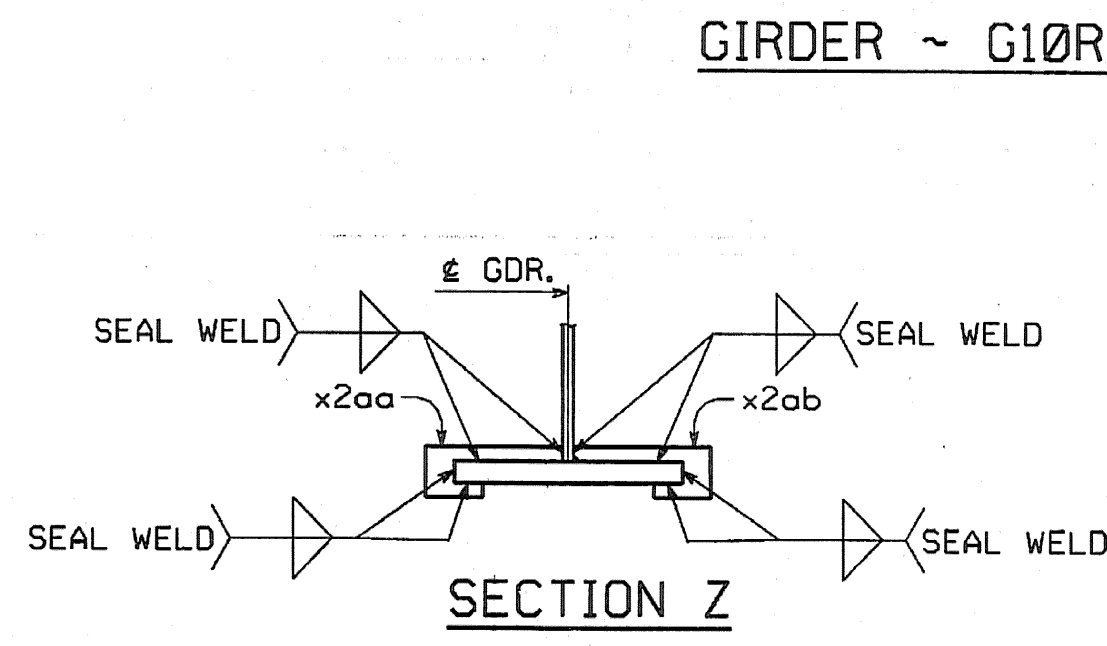
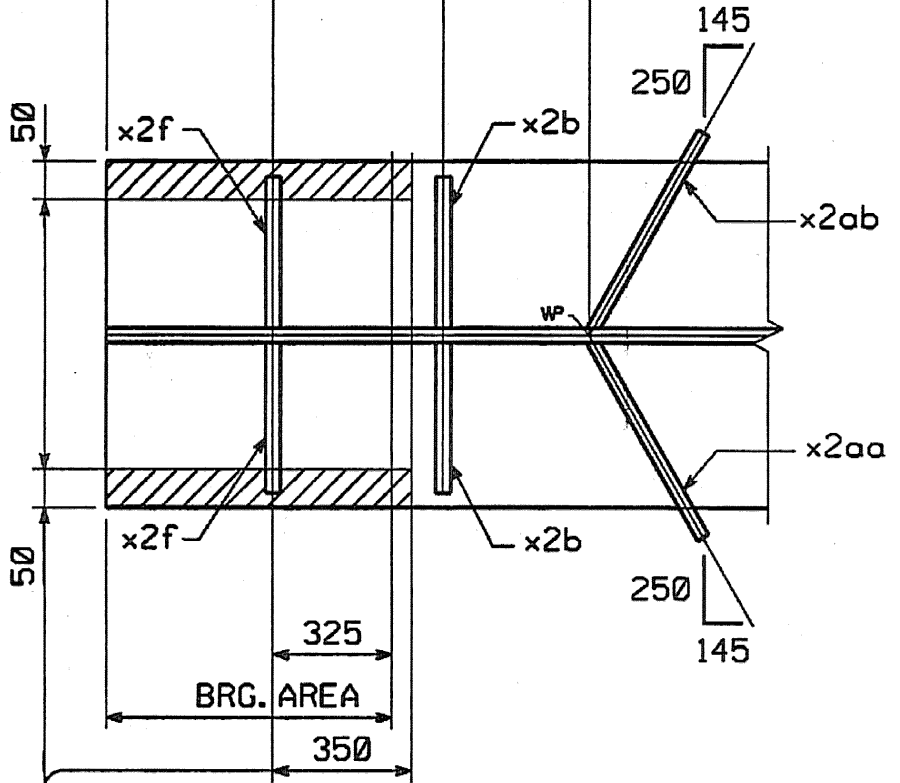
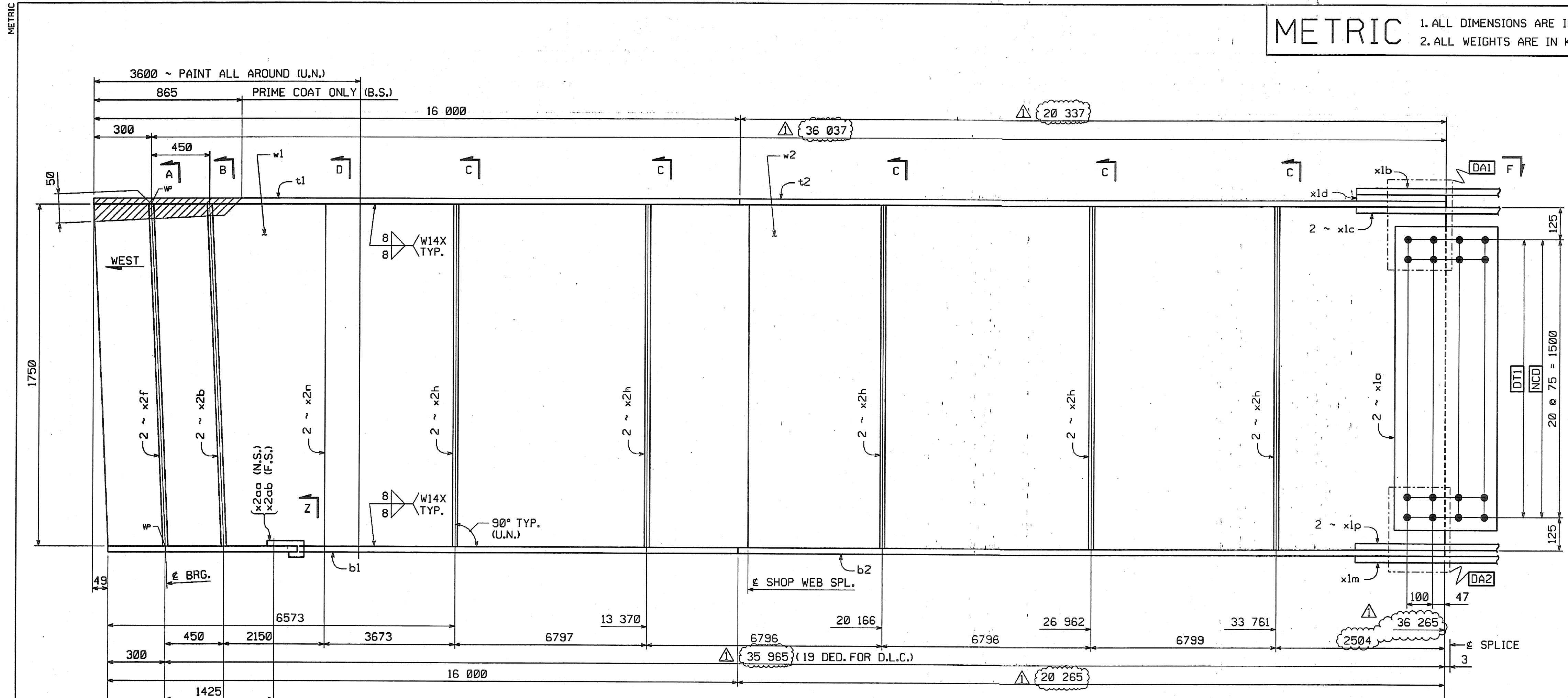
FED. ROAD DIST. NO.	STATE	FED. AID PROJ. NO.
	VT	

BILL OF MATERIAL

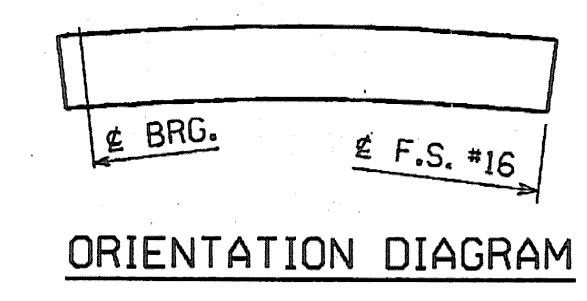
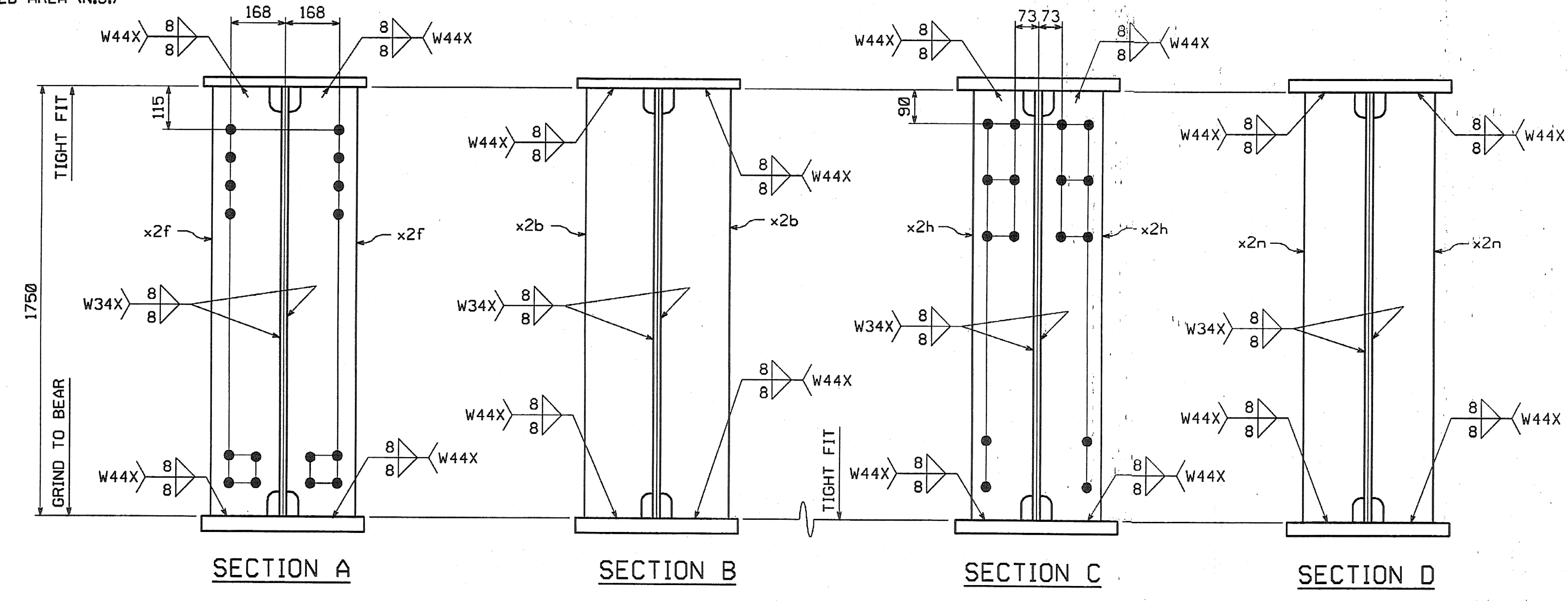
NO.	MARK	DESCRIPTION	LENGTH	REMARKS	GRP.	ITEM	SHIP WT. KG. EA.
ONE	G10R	GIRDER					16 890
1	w1	PL 16 x 1750	16 342	(T)	3	10	3591.56
1	w2	PL 16 x 1750	14 996	(T) 36 301	3	8	4394.62
1	t1	PL 22 x 450	16 001	(T) 16 000	4	28	1243.38
1	t2	PL 22 x 450	20 337	(T)	4	26	1580.31
1	b1	PL 40 x 450	16 001	(T) 16 000	4	5	2260.68
1	b2	PL 40 x 450	20 265	(T)	4	4	2863.12
2	x1a	PL 12 x 1600	400	(T)	6	1	60.29
1	x1b	PL 14 x 450	790	(T)	6	6	39.06
2	x1c	PL 16 x 200	790	(T)	6	5	19.84
1	x1d	PL 18 x 450	392	FILL	6	4	24.92
1	x1m	PL 18 x 450	990	(T)	6	3	62.94
2	x1p	PL 20 x 200	990	(T)	6	2	31.08
2	x2b	PL 22 x 200	1750		7	2	60.44
2	x2f	PL 22 x 200	1750		7	2	60.44
10	x2h	PL 12 x 180	1750		7	4	29.67
2	x2n	PL 12 x 180	1750		7	4	29.67
1	x2aa	PL 6 x 90	301	*V _{OL} =72153mm ³	7	5	-1.28
1	x2ab	PL 6 x 90	301	" "	7	5	-1.28

TOTAL WEIGHT THIS SHEET: 46883.34 kgs

*SEE SHEET 106112 (6875.52kg) JMR 8-8-06 09-21-06



LIGHT RUST PREVENTIVE COAT OF PRIMER BOTT. OF BOTT. FLG., EDGES & SHADED AREA (N.S.)



SHOP NOTE
HOLES: 1/16" #
BOLTS: NONE
PAINT: SEE DWG. GNI
FOR GENERAL SHOP NOTES, SEE DWG. GNI.
FOR WEB CAMBER DIAGRAM, SEE DWG. WC.4.

SHOP DRAWING REVIEW

REVIEWED AS REQUIRED BY THE CONSTRUCTION CONTRACT DOCUMENTS AND APPROVED, BUT ONLY FOR CONFORMANCE TO THE DESIGN CONCEPT OF THE WORK, AND SUBJECT TO FURTHER LIMITATIONS AND REQUIREMENTS CONTAINED IN THE CONSTRUCTION CONTRACT DOCUMENTS.

REJECTED REVISE AND RESUBMIT FURNISH AS CORRECTED

CORRECTIONS OR COMMENTS MADE ON THE SHOP DRAWINGS DURING THIS REVIEW DO NOT RELIEVE CONTRACTOR FROM COMPLIANCE WITH REQUIREMENTS OF THE DRAWINGS AND SPECIFICATIONS. THIS OFFICE IS ONLY FOR REVIEW OF GENERAL CONFORMANCE WITH THE DESIGN CONCEPT OF THE PROJECT AND GENERAL COMPLIANCE WITH THE INFORMATION GIVEN IN THE CONTRACT DOCUMENTS. THE CONTRACTOR IS RESPONSIBLE FOR CONFIRMING AND CORRECTING ALL QUANTITIES AND DIMENSIONS, SELECTING APPROPRIATE PROCESSES AND TECHNIQUES OF CONSTRUCTION, COORDINATING HIS WORK WITH THAT OF ALL OTHER TRADES, AND PERFORMING HIS WORK IN A SAFE AND SATISFACTORY MANNER.

VHIB Vanasse Hangen Brustlin, Inc.
Engineers, Planners, and Scientists
Six Bedford Farms, Kissel Hill
Bedford, NH 03102, 603 644 0888

Job Number: 50911
Reviewed By: *[Signature]*
Date: 11/1/04

NO.	REVISION	BY	DATE
	INCREASE LENGTHS TO SATISFY REQUIREMENTS FOR LENGTH & MEAN TEMPERATURE OF 45°F.	DP	9/20/04

1770 Hemstead Road
Lancaster, PA 17603-0008
Phone 717/299-5211
A Division of High Industries, Inc.

HIGH STEEL STRUCTURES, INC.

GIRDER G10R
VT 78 OVER MISSISSQUOI BAY, BRIDGE NO. 2
VT 78 STA.10+970.425 TO STA.12+059.775
TOWNS OF ALBURG AND SWANTON
COUNTIES OF GRAND ISLE AND FRANKLIN
STATE OF VERMONT, AGENCY OF TRANSPORTATION

STATE CONTRACT OR REF. NO. BRF-036-1(1)
CONTRACTOR: CIANBRO CORPORATION
IN CHARGE: GLIDDEN (IH) MADE BY: SSL CHK'D. BY: CS DATE: 8-24-04
CONTRACT NUMBER: VT-04057-3 DRAWING NUMBER: 70 OF 112