

METRIC

1. ALL DIMENSIONS ARE IN MILLIMETERS UNLESS OTHERWISE NOTED.  
2. ALL WEIGHTS ARE IN KILOGRAMS.

FED. ROAD DIV. NO.	STATE	FED. AID PROJ. NO.
	VT	

BILL OF MATERIAL

NO.	MARK	DESCRIPTION	LENGTH	REMARKS	GRP.	ITEM	SHIP. WT. KG. EA.
ONE	G8Q	GIRDER					16 390
1	w1	PL 16 x 1750	19 992	(T)	3	8	4393.74
1	w2	PL 16 x 1750	16 307	(T)	3	11	3583.87
1	t1	PL 22 x 450	20 270	(T)	4	27	4575.10
1	t2	PL 22 x 450	16 000	(T)	4	28	1243.90
1	b1	PL 40 x 450	20 260	(T)	4	4	2882.41
1	b2	PL 40 x 450	16 000	(T)	4	5	2260.54
1	x1d	PL 18 x 450	392	FILL	6	4	24.92
1	x2a	PL 22 x 200	1750		7	2	60.44
2	x2b	PL 22 x 200	1750		7	2	60.44
1	x2f	PL 22 x 200	1750		7	2	60.44
5	x2h	PL 12 x 180	1750		7	4	29.87
4	x2p	PL 14 x 180	310		7	3	6.13
1	x2s	PL 12 x 180	1750		7	4	29.87
1	x2aa	PL 6 x 90	301	*V <sub>2</sub> = 72150	7	5	1.28

TOTAL WEIGHT THIS SHEET: 16389.45 kgs

\*SEE SHEET 10F112  
16389.45 kgs  
16389.45 kgs  
08-10-06  
08-10-06  
08-11-06

**SHOP DRAWING REVIEW**

REVIEWED AS REQUIRED BY THE CONSTRUCTION CONTRACT DOCUMENTS AND APPROVED, BUT ONLY FOR CONFORMANCE TO THE DESIGN CONCEPT OF THE WORK, AND SUBJECT TO FURTHER LIMITATIONS AND REQUIREMENTS CONTAINED IN THE CONSTRUCTION CONTRACT DOCUMENTS.

APPROVED  REJECTED  REVISE AND RESUBMIT  FURNISH AS CORRECTED

CORRECTIONS OR COMMENTS MADE ON THE SHOP DRAWINGS DURING THIS REVIEW DO NOT RELIEVE CONTRACTOR FROM COMPLIANCE WITH REQUIREMENTS OF THE CONTRACT AND SPECIFICATIONS. THIS CHECK IS ONLY FOR THE VIEW OF GENERAL CONFORMANCE WITH THE DESIGN CONCEPT OF THE PROJECT AND NEITHER CONSTITUTE NOR IMPLY THE GUARANTEE GIVEN IN THE CONTRACT DOCUMENTS. THE CONTRACTOR IS RESPONSIBLE FOR CONFIRMING AND CORRECTING ALL QUANTITIES AND DIMENSIONS; SELECTING FABRICATION PROCESSES AND TECHNIQUES OF CONSTRUCTION; COORDINATING HIS WORK WITH THAT OF ALL OTHER TRADERS; AND PERFORMING HIS WORK IN A SAFE AND SATISFACTORY MANNER.

Vanasse Hangen Brustlin, Inc.  
Engineers, Planners, and Scientists  
Six England Farms, Littleton CO  
Telephone: 303-751-1000, 800-844-0880

Job Number: S0411  
Reviewed By: *[Signature]*  
Date: 11/10/04

SHOP NOTE

HOLES: 1 1/8" (U.N.)  
BOLTS: NONE  
PAINT: SEE DWG. GNI  
FOR GENERAL SHOP NOTES, SEE DWG. GNI.  
FOR WEB CAMBER DIAGRAM, SEE DWG. WC4.

NO.	REVISION	BY	DATE

1770 Hempstead Road  
Lancaster, PA 17603-0008  
Phone 717/299-5211

**HIGH STEEL STRUCTURES, INC.**

A Division of High Industries, Inc.

GIRDER G8Q

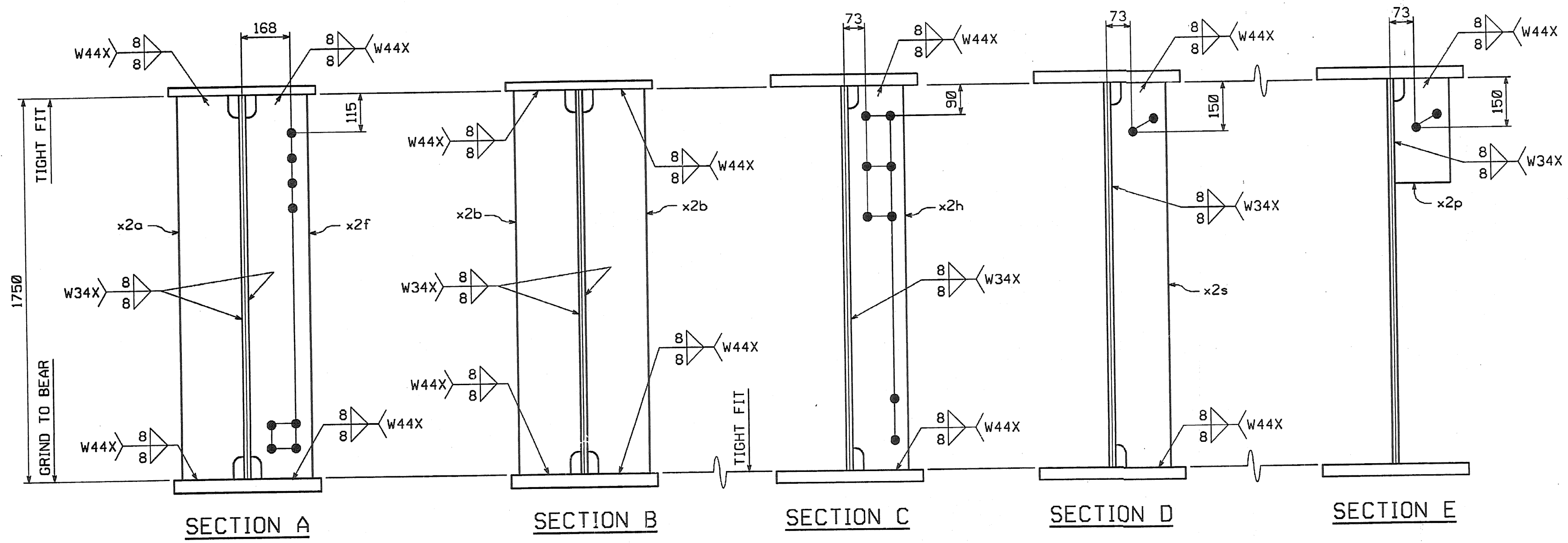
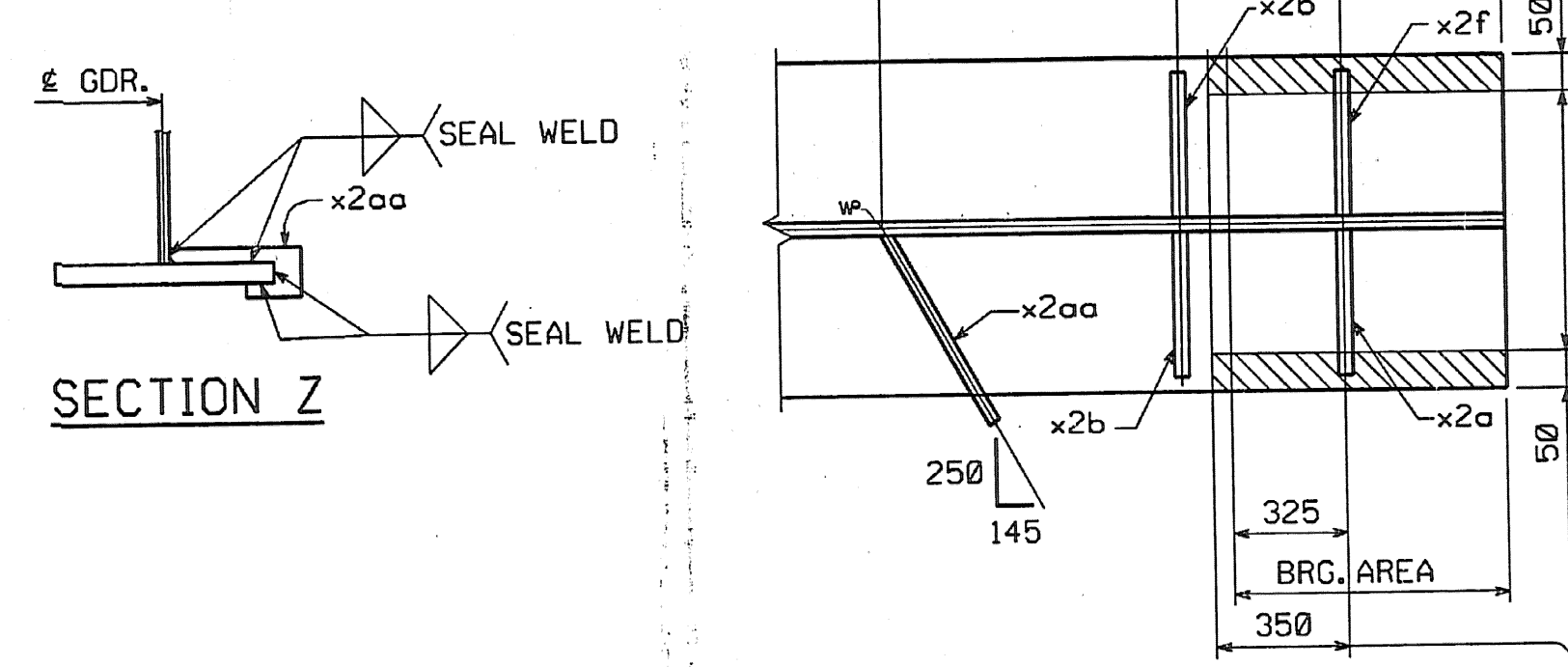
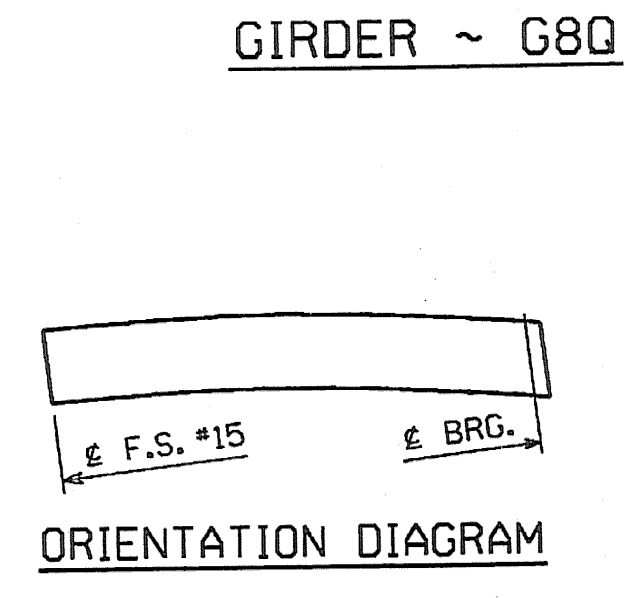
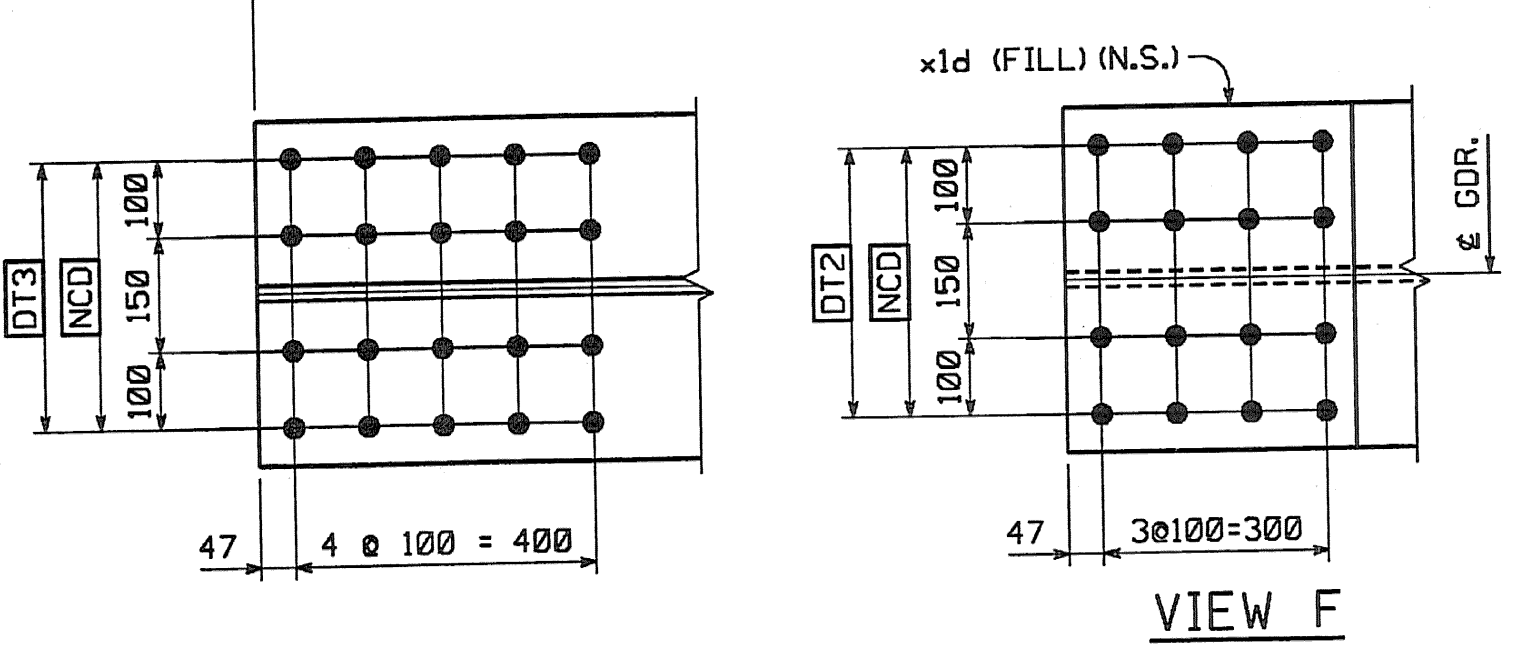
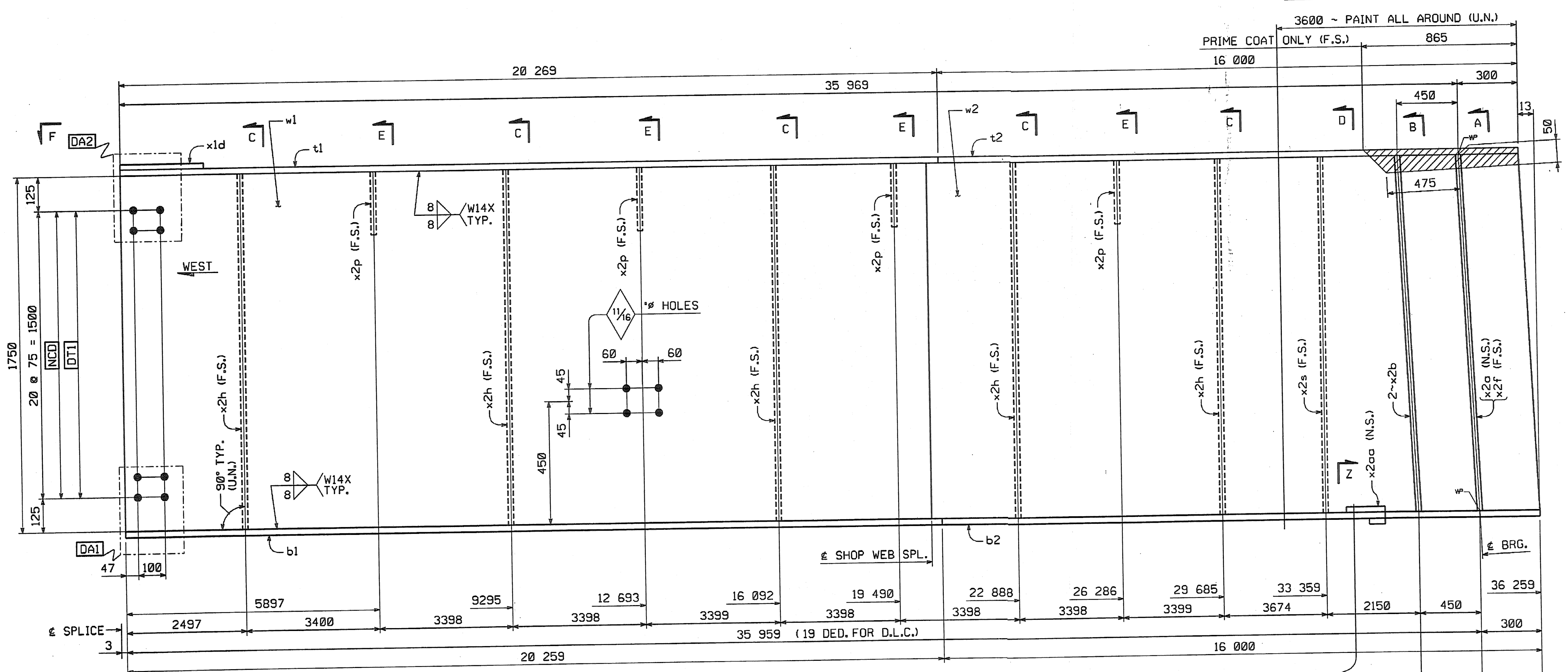
VT 78 OVER MISSISSQUOI BAY, BRIDGE NO. 2  
VT 78 STA.10+970.425 TO STA.12+059.775  
TOWNS OF ALBURG AND SWANTON  
COUNTIES OF GRAND ISLE AND FRANKLIN  
STATE OF VERMONT, AGENCY OF TRANSPORTATION

STATE CONTRACT OR REF. NO. BRF-036-1(1)

CONTRACTOR CIAMBRO CORPORATION

IN CHARGE: GLIDDEN (IH) MADE BY: ERS CK'D. BY: CG DATE: 8-23-04

CONTRACT NUMBER: VT-04057-2 DRAWING NUMBER: 68 OF 112



LIGHT RUST PREVENTIVE COAT OF PRIMER BOTT. OF BOTT. FLG., EDGES & SHADED AREA (N.S.)

BY: canoff  
PLOTTED: 08/25/2004 07:57:17 AM

CODE:30