

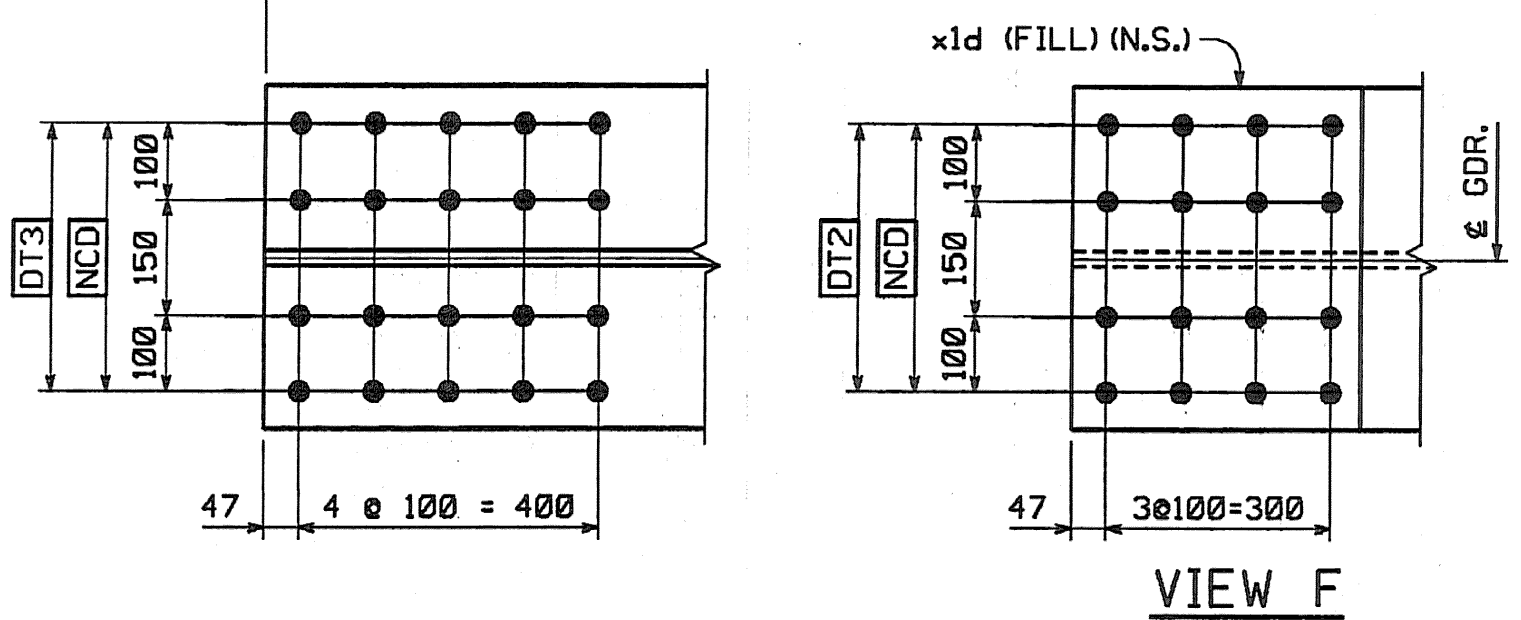
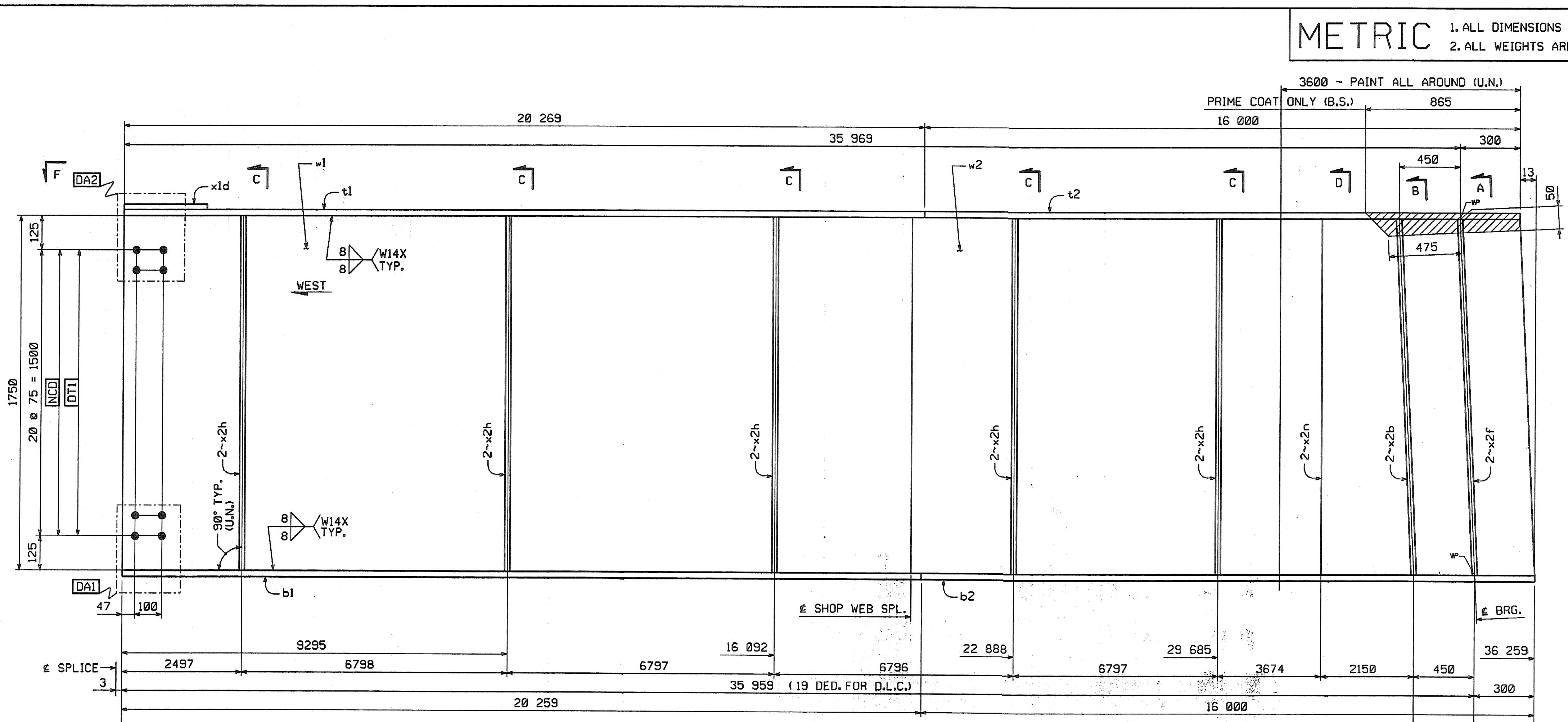
METRIC 1. ALL DIMENSIONS ARE IN MILLIMETERS UNLESS OTHERWISE NOTED.
2. ALL WEIGHTS ARE IN KILOGRAMS.

BILL OF MATERIAL

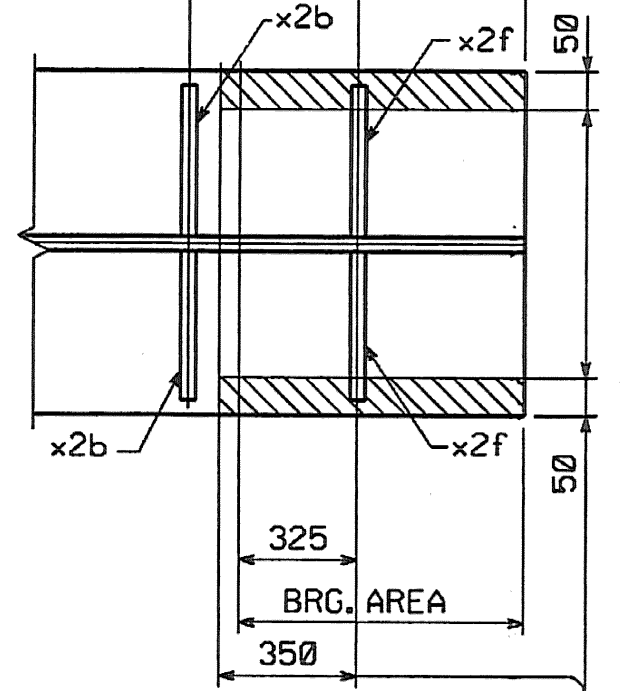
NO.	MARK	DESCRIPTION	LENGTH	REMARKS	GRP.	ITEM	SHIP. WT. KG. EA.
ONE	G60	GIRDER					16 550
1	w1	PL 16 x 1750	19 992	(T)	3	8	4393.74
1	w2	PL 16 x 1750	16 307	(T)	3	11	3589.87
1	t1	PL 22 x 450	20 270	(T)	4	27	1675.40
1	t2	PL 22 x 450	16 000	(T)	4	28	1243.30
1	b1	PL 40 x 450	20 260	(T)	4	4	2862.41
1	b2	PL 40 x 450	16 000	(T)	4	5	2280.54
1	x1d	PL 18 x 450	392	FILL	6	4	-24.92
2	x2b	PL 22 x 200	1 750		7	2	-60.44
2	x2f	PL 22 x 200	1 750		7	2	-60.44
10	x2h	PL 12 x 180	1 750		7	4	-29.67
2	x2n	PL 12 x 180	1 750		7	4	-29.67

TOTAL WEIGHT THIS SHEET: 16541.67 kgs

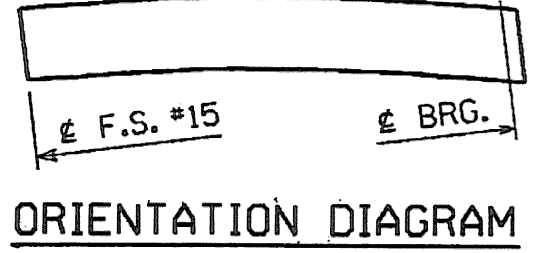
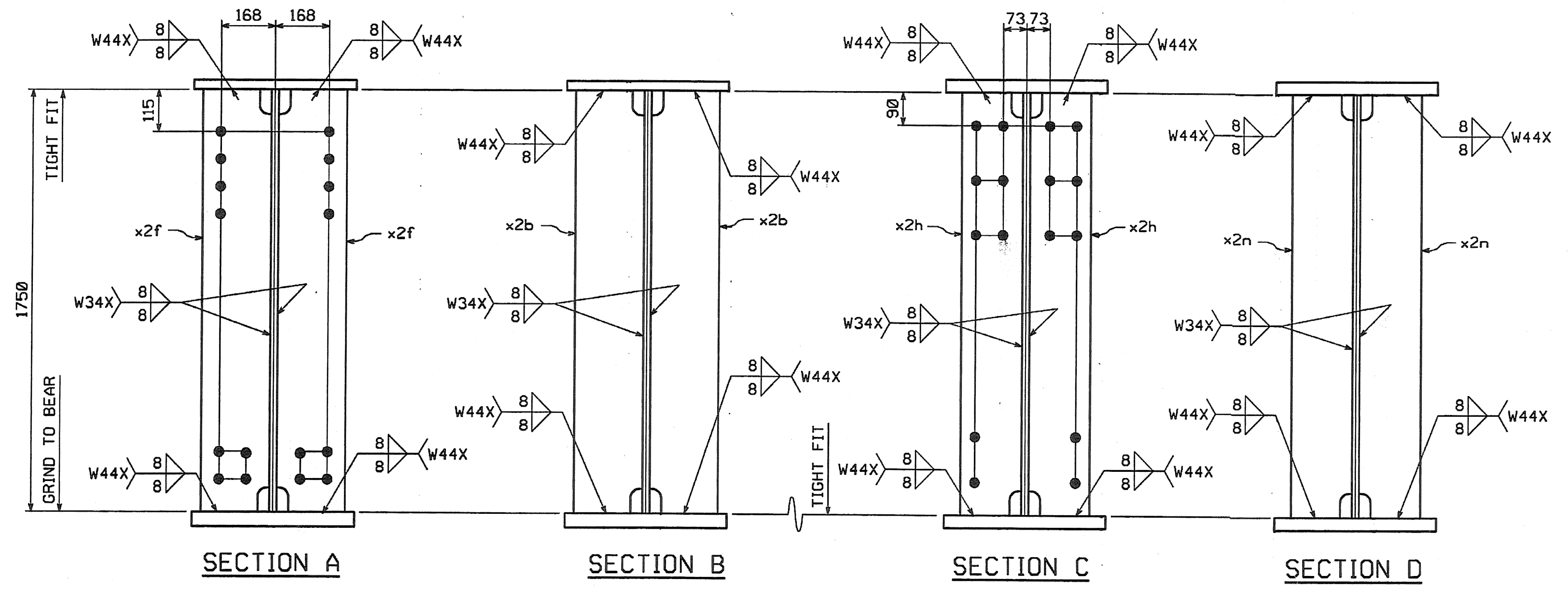
16536.44 kg JMR
16535.67 kg S-B-C
08-21-06
JMR
08-21-06



GIRDER ~ G60



LIGHT RUST PREVENTIVE COAT OF PRIMER BOTT. OF BOTT. FLG., EDGES & SHADED AREA (N.S.)



SHOP NOTE

HOLES: 1 5/16"
BOLTS: NONE
PAINT: SEE DWG. GNI
FOR GENERAL SHOP NOTES, SEE DWG. GNI.
FOR WEB CAMBER DIAGRAM, SEE DWG. WC4.

SHOP DRAWING REVIEW

REVIEWED AS REQUIRED BY THE CONSTRUCTION CONTRACT DOCUMENTS AND APPROVED, BUT ONLY FOR CONFORMANCE TO THE DESIGN CONCEPT OF THE WORK, AND SUBJECT TO FURTHER LIMITATIONS AND REQUIREMENTS CONTAINED IN THE CONSTRUCTION CONTRACT DOCUMENTS.

REJECTED REVISE AND RESUBMIT FURNISH AS CORRECTED

CORRECTIONS OR COMMENTS MADE ON THE SHOP DRAWINGS DURING THIS REVIEW DO NOT RELIEVE CONTRACTOR FROM COMPLIANCE WITH REQUIREMENTS OF THE DRAWINGS AND SPECIFICATIONS. THIS CHECK IS ONLY FOR REVIEW OF GENERAL CONFORMANCE WITH THE DESIGN CONCEPT OF THE PROJECT AND SHALL OCCUR IN ACCORDANCE WITH THE INFORMATION GIVEN IN THE CONTRACT DOCUMENTS. THE CONTRACTOR IS RESPONSIBLE FOR CORRECTING AND CORRELATING ALL QUANTITIES AND DIMENSIONS, SELECTING APPROPRIATE TRADES AND TECHNIQUES OF CONSTRUCTION, CONSTRUCTION AND WORK WITH THAT OF ALL OTHER TRADES, AND PERFORMING HIS WORK IN A SAFE AND SATISFACTORY MANNER.

Vanasse Hangen Brustlin, Inc.
Engineers, Planners, and Scientists
Six Seaboard Farms, Alban Rd.
Bedford, NH 03110 603 884 0880

Job Number: S091
Reviewed By: SML
Date: 11/10/04

NO.	REVISION	BY	DATE

HIGH STEEL STRUCTURES, INC.
1770 Hempstead Road
Lancaster, PA 17605-0008
Phone 717/299-5211
A Division of High Industries, Inc.

GIRDER G60
VT 78 OVER MISSISQUOI BAY, BRIDGE NO. 2
VT 78 STA.10+970.425 TO STA.12+059.775
TOWNS OF ALBURG AND SWANTON
COUNTIES OF GRAND ISLE AND FRANKLIN
STATE OF VERMONT, AGENCY OF TRANSPORTATION

STATE CONTRACT OR REF. NO. BRF-036-1(1)
CONTRACTOR CIAMBRO CORPORATION
IN CHARGE: GLIDDEN (IH) MADE BY: SES CHK'D. BY: CS DATE: 8-23-04
CONTRACT NUMBER: VT-04057-2 DRAWING NUMBER: 66 OF 112

BY: cahoffler
PLOTTED: 08/26/2004 07:57:16 AM

CODE:30