

METRIC

METRIC 1. ALL DIMENSIONS ARE IN MILLIMETERS UNLESS OTHERWISE NOTED.  
2. ALL WEIGHTS ARE IN KILOGRAMS.

FED. ROAD DIV. NO.	STATE	FED. AID PROJ. NO.
	VT	

BILL OF MATERIAL

NO.	MARK	DESCRIPTION	LENGTH	REMARKS	GRP.	ITEM	SHIP. WT. KG. EA.
ONE	G50	GIRDER					16 370
1	w1	PL 16 x 1750	19 992	(T)	3	8	4393.74
1	w2	PL 16 x 1750	16 307	(T) 36264	3	11	3589.87
1	t1	PL 22 x 450	20 270	(T) 20269	4	27	1575.10
1	t2	PL 22 x 450	16 000	(T)	4	28	1243.30
1	b1	PL 40 x 450	29 260	(T) 20259	4	4	2882.41
1	b2	PL 40 x 450	16 000	(T)	4	5	2260.54
1	x1d	PL 18 x 450	392	FILL	6	4	24.82
1	x2a	PL 22 x 200	1 750		7	2	60.44
2	x2b	PL 22 x 200	1 750		7	2	60.44
1	x2f	PL 22 x 200	1 750		7	2	60.44
5	x2h	PL 12 x 180	1 750		7	4	29.67
1	x2n	PL 12 x 180	1 750		7	4	29.67
1	x2ab	PL 6 x 90	301	*Vol = 72180m <sup>3</sup>	7	5	1.28

TOTAL WEIGHT THIS SHEET: 16364.92 kgs

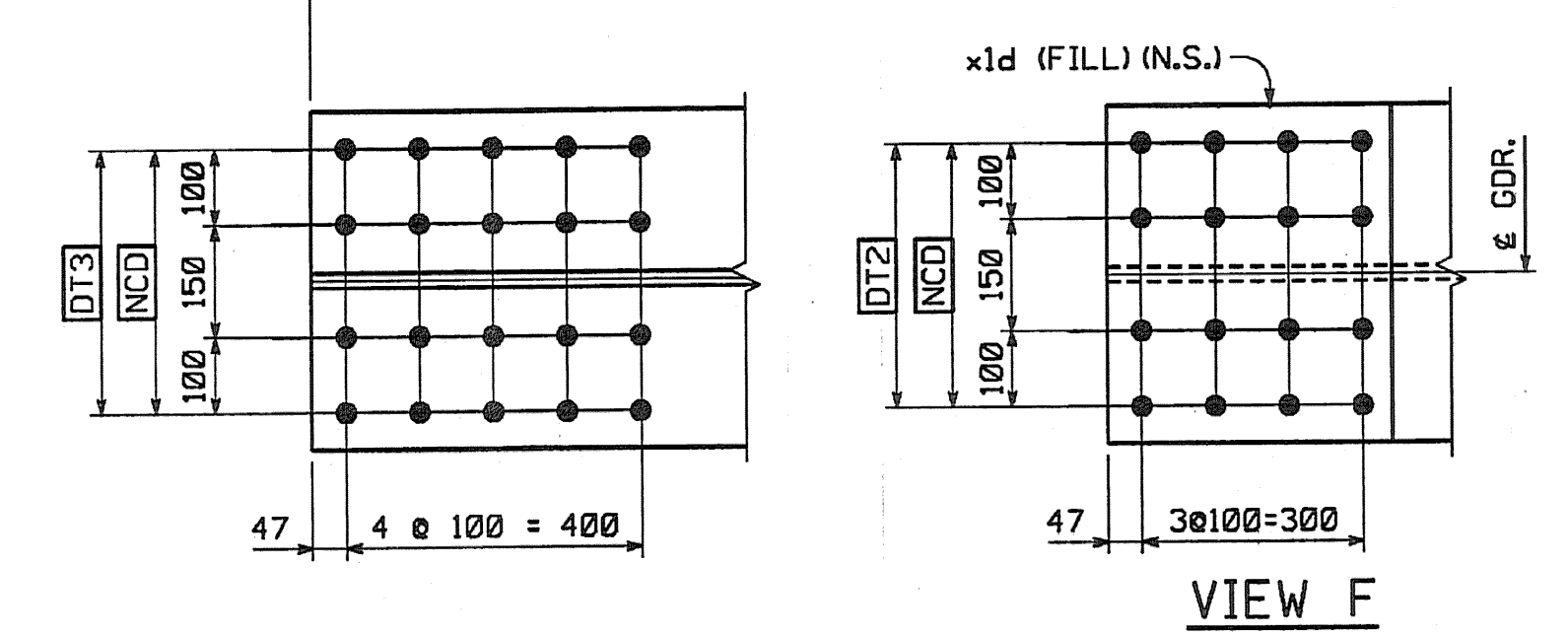
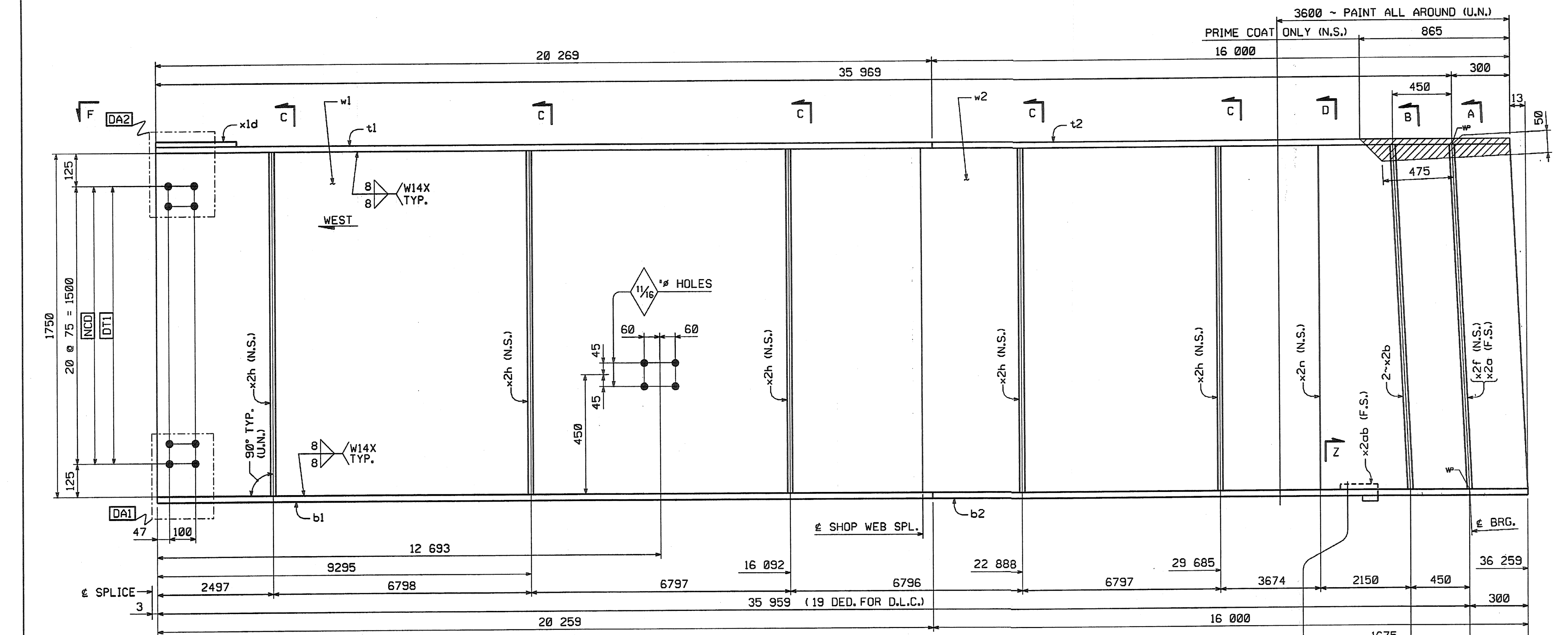
\*SEE SHEET 10F112

16364.92 kg JMR 8-8-06

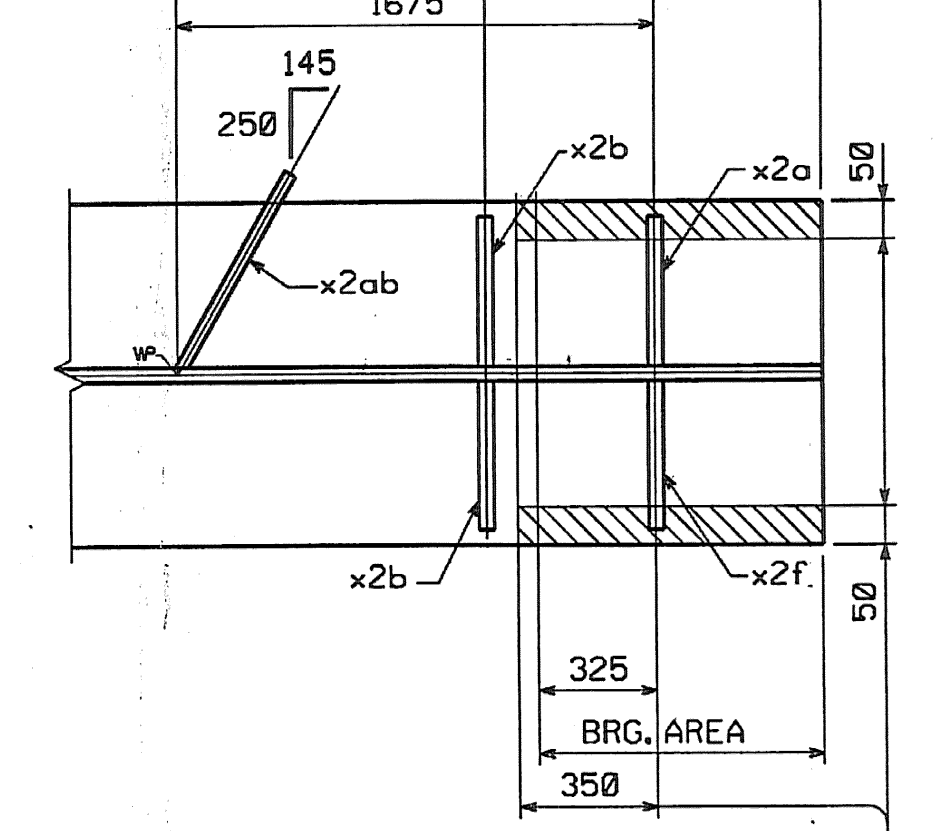
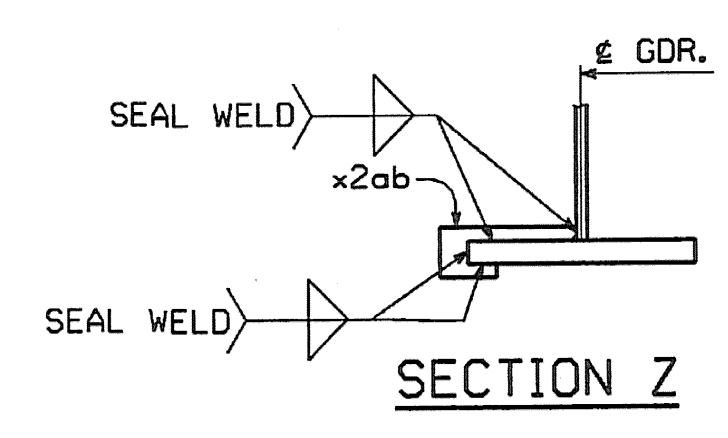
11755 21-11

148.37

0.57kg



GIRDER ~ G50



LIGHT RUST PREVENTIVE COAT OF PRIMER BOTT. OF BOTT. FLG. EDGES & SHADED AREA (N.S.)

**SHOP DRAWING REVIEW**

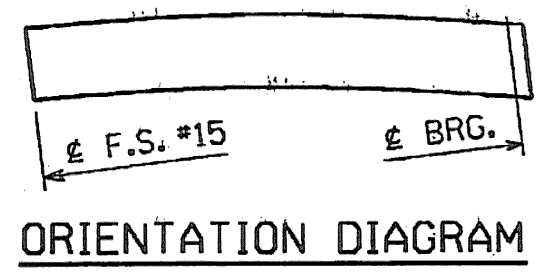
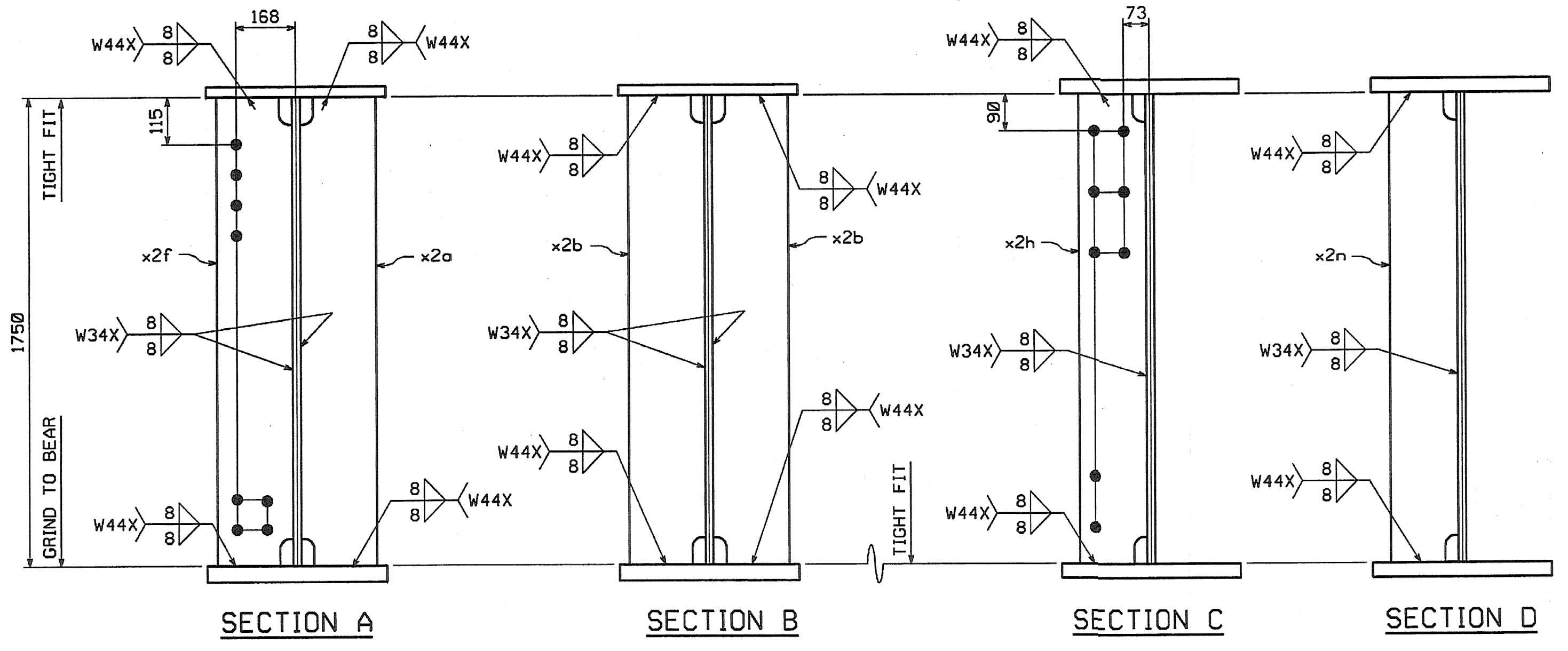
REVIEWED AS REQUIRED BY THE CONSTRUCTION CONTRACT DOCUMENTS AND APPROVED, BUT ONLY FOR CONFORMANCE TO THE DESIGN CONCEPT OF THE WORK, AND SUBJECT TO ANY OTHER LIMITATIONS AND REQUIREMENTS CONTAINED IN THE CONSTRUCTION CONTRACT DOCUMENTS.

REVIEWED  REVISE AND RESUBMIT  FURNISH AS CONDUCTED

CORRECTIONS OR COMMENTS MADE ON THE SHOP DRAWINGS DURING THE REVIEW DO NOT RELIEVE CONTRACTOR FROM COMPLIANCE WITH REQUIREMENTS OF THE DRAWINGS AND SPECIFICATIONS. THIS CHECK IS ONLY FOR REVIEW OF GENERAL CONFORMANCE WITH THE DESIGN CONCEPT OF THE PROJECT AND DOES NOT CONSTITUTE WITH THE INSPECTION GIVEN BY THE CONTRACT DOCUMENTS, THE CONTRACTOR'S RESPONSIBILITY FOR COMPLETION AND CORRELATING ALL QUANTITIES AND DIMENSIONS, SHOPPING FABRICATION PROCESSES AND TECHNIQUES OF CONSTRUCTION, COORDINATING HIS WORK WITH THAT OF ALL OTHER TRADES, AND PERFORMING HIS WORK IN A SAFE AND SATISFACTORY MANNER.

Vanessa Hagen Bruehl, Inc.  
Engineers, Planners, and Scientists  
Six Bulford Farms, Milton Rd.  
Bedford, NH 03023, 603-664-0553

Job Number: 50411  
Reviewed By: JMR  
Date: 8/8/06



SHOP NOTE

HOLES: 1 5/16" (U.N.)  
 BOLTS: NONE  
 PAINT: SEE DWG. GNI  
 FOR GENERAL SHOP NOTES, SEE DWG. GNI.  
 FOR WEB CAMBER DIAGRAM, SEE DWG. WC4.

NO.	REVISION	BY	DATE

1770 Hemstead Road  
Lancaster, PA 17605-0008  
Phone 717/299-5211

**HIGH STEEL STRUCTURES, INC.**

A Division of High Industries, Inc.

GIRDER G50

VT 78 OVER MISSISQUOI BAY, BRIDGE NO. 2  
 VT 78 STA. 10+970.425 TO STA. 12+059.775  
 TOWNS OF ALBURG AND SWANTON  
 COUNTIES OF GRAND ISLE AND FRANKLIN  
 STATE OF VERMONT, AGENCY OF TRANSPORTATION

STATE CONTRACT OR REF. NO. BR-036-1(1)

CONTRACTOR: CIAMBRO CORPORATION  
 IN CHARGE: GLIDDEN (IH) MADE BY: ERS CHK'D. BY: CS DATE: 8-23-04

CONTRACT NUMBER: VT-04057-2 DRAWING NUMBER: 65 OF 112