

METRIC

METRIC

1. ALL DIMENSIONS ARE IN MILLIMETERS UNLESS OTHERWISE NOTED.  
2. ALL WEIGHTS ARE IN KILOGRAMS.

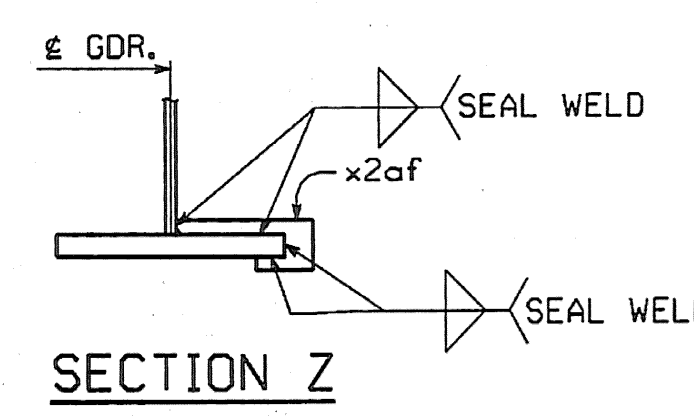
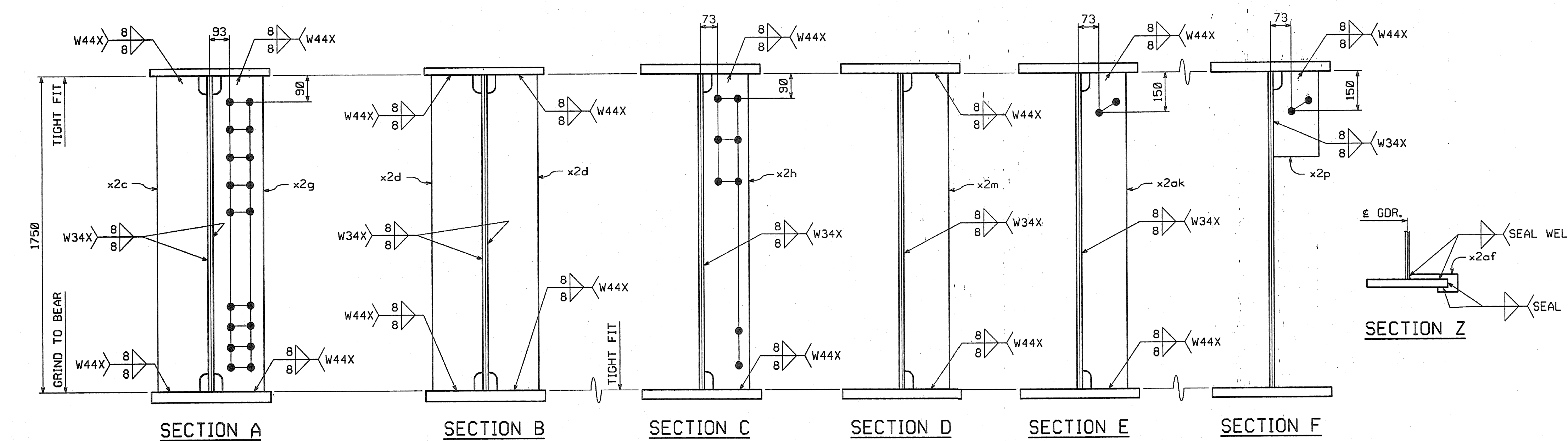
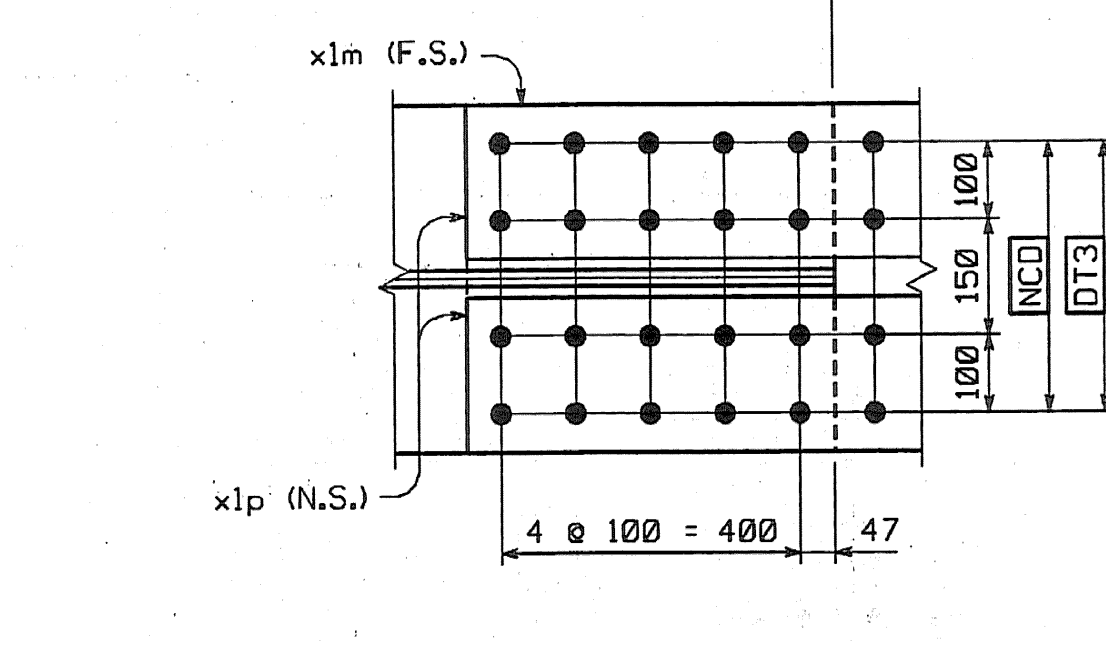
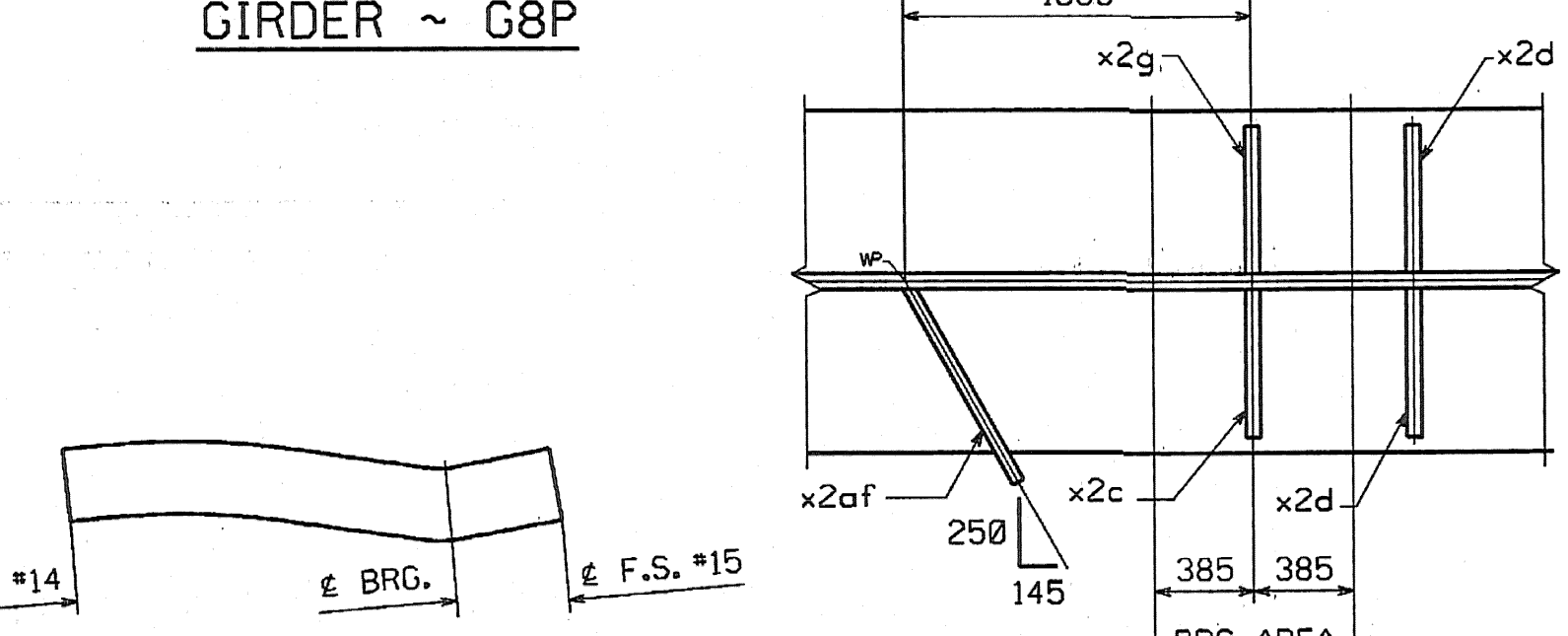
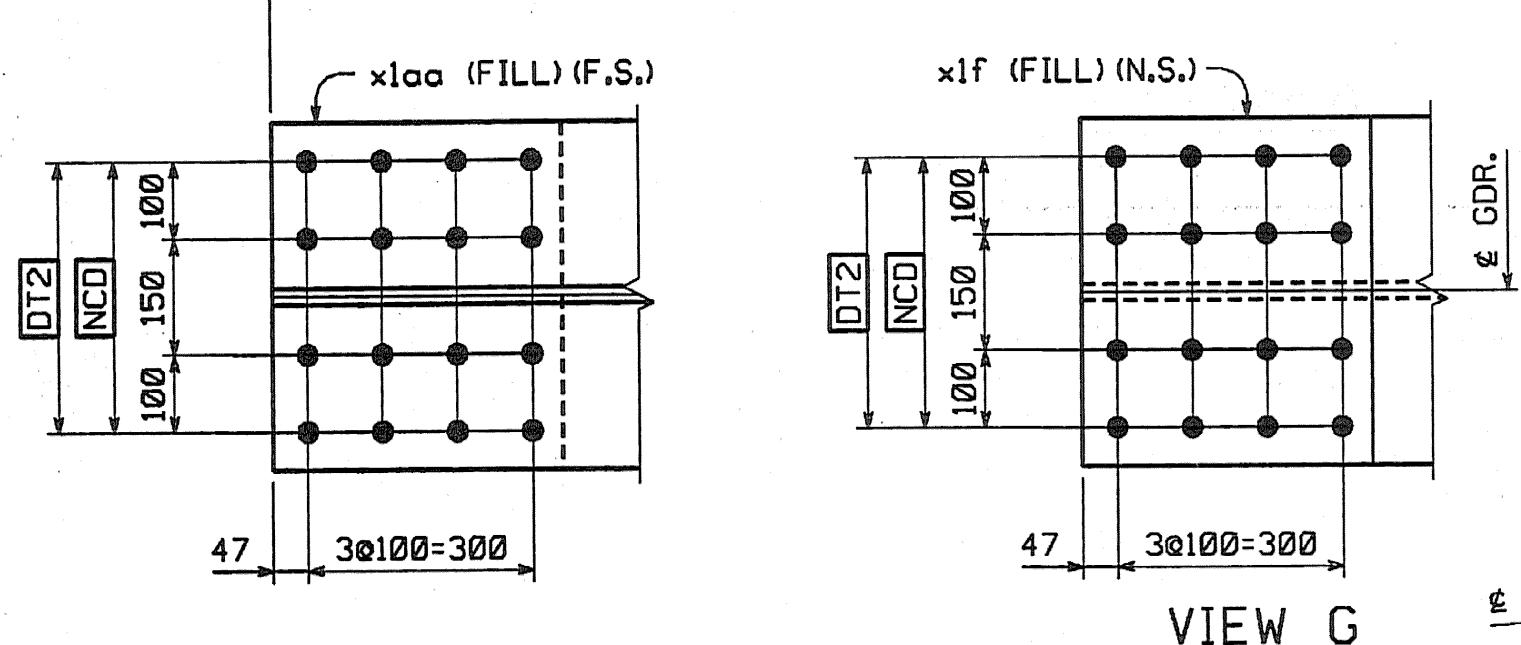
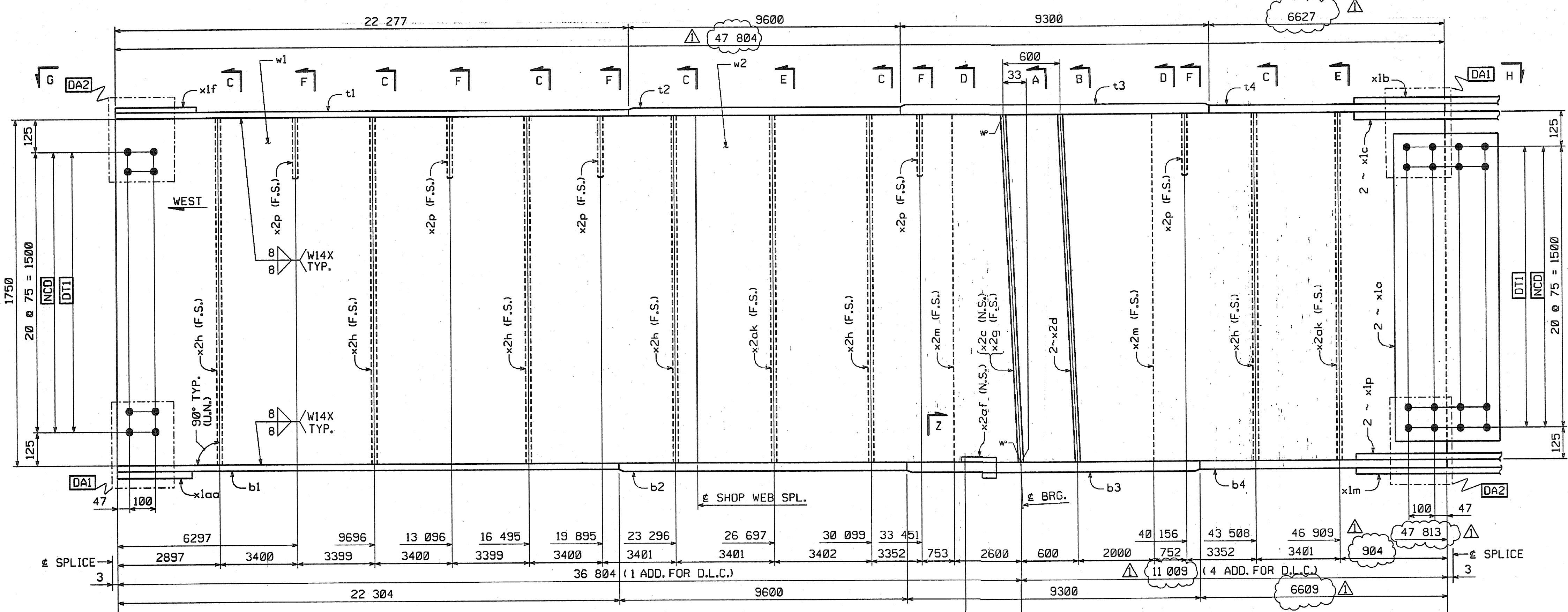
FED. ROAD DIV. NO.	STATE	FED. AID PROJ. NO.
	VT	

BILL OF MATERIAL

NO.	MARK	DESCRIPTION	LENGTH	REMARKS	GRP.	ITEM	SHIP. WT. KG. EA.
ONE	G8P	GIRDER					24 920
1	w1	PL 16 x 1750	23 812	(T)	3	6	5233.28
1	w2	PL 16 x 1750	24 010	(T)	3	1	5276.79
1	t1	PL 22 x 450	22 277	(T)	4	25	1731.05
1	t2	PL 40 x 450	9600	(T)	4	8	1356.32
1	t3	PL 80 x 450	9300	(T)	4	1	2627.86
1	t4	PL 40 x 450	6628	(T)	4	10	936.43
1	b1	PL 22 x 450	22 304	(T)	4	23	1733.16
1	b2	PL 40 x 450	9600	(T)	4	8	1356.32
1	b3	PL 80 x 450	9300	(T)	4	1	2627.86
1	b4	PL 40 x 450	6610	(T)	4	11	933.89
2	x1a	PL 12 x 1600	400	(T)	6	1	-60.28
1	x1b	PL 14 x 450	790	(T)	6	6	39.06
2	x1c	PL 16 x 200	790	(T)	6	5	-19.84
1	x1f	PL 10 x 450	392	FILL	6	7	13.85
1	x1m	PL 18 x 450	990	(T)	6	3	-62.94
2	x1p	PL 20 x 200	990	(T)	6	2	31.06
1	x1aa	PL 10 x 450	392	FILL	6	7	13.85
1	x2c	PL 38 x 200	1750		7	1	104.39
2	x2d	PL 38 x 200	1750		7	1	104.39
1	x2g	PL 38 x 200	1750		7	1	104.39
6	x2h	PL 12 x 180	1750		7	4	-29.67
2	x2m	PL 12 x 180	1750		7	4	-29.67
5	x2p	PL 14 x 180	310		7	3	-6.13
1	x2af	PL 6 x 130	301		7	5	-1.84
2	x2ak	PL 12 x 180	1750		7	4	-29.67

TOTAL WEIGHT THIS SHEET: -24 911.89 kgs

\*SEE SHEET 50112  
 24910.35 kgs JMR 8-7-06  
 24910.35 kgs JMR 08-21-06  
 24910.35 kgs JMR 08-22-06



**SHOP NOTE**  
 REVIEWED AS REQUIRED BY THE CONSTRUCTION CONTRACT DOCUMENTS AND APPROVED, BUT NOT GUARANTEED FOR CONFORMANCE TO THE DESIGN INTENT OF THE WORK, AND SUBJECT TO FURTHER LIMITATIONS AND REQUIREMENTS CONTAINED IN THE CONSTRUCTION CONTRACT DOCUMENTS.  
 HOLES: NONE  
 BOLTS: NONE  
 PAINTS: NONE  
 FOR GENERAL SHOP NOTES, SEE DWG. NO. 104  
 FOR WEB CAMBER DIAGRAM, SEE DWG. NO. 104

REVISION		NO.	DATE
INCREASE LENGTHS TO SATISFY REQUIREMENTS FOR LENGTH @ MEAN TEMPERATURE OF 45°F.		JSA	9/17/04
CONTRACTOR: CIAMBRO CORPORATION		DRAWING NUMBER: 64 OF 112	
IN CHARGE: GLIDDEN (IH)		DATE: 8-23-04	
CONTRACT NUMBER: VT-04057-2		DRAWING NUMBER: 64 OF 112	

BY: dpanter  
 PLOTTED: 9/20/2004 10:07:22 PM

CODE:30