

METRIC

1. ALL DIMENSIONS ARE IN MILLIMETERS UNLESS OTHERWISE NOTED.
2. ALL WEIGHTS ARE IN KILOGRAMS.

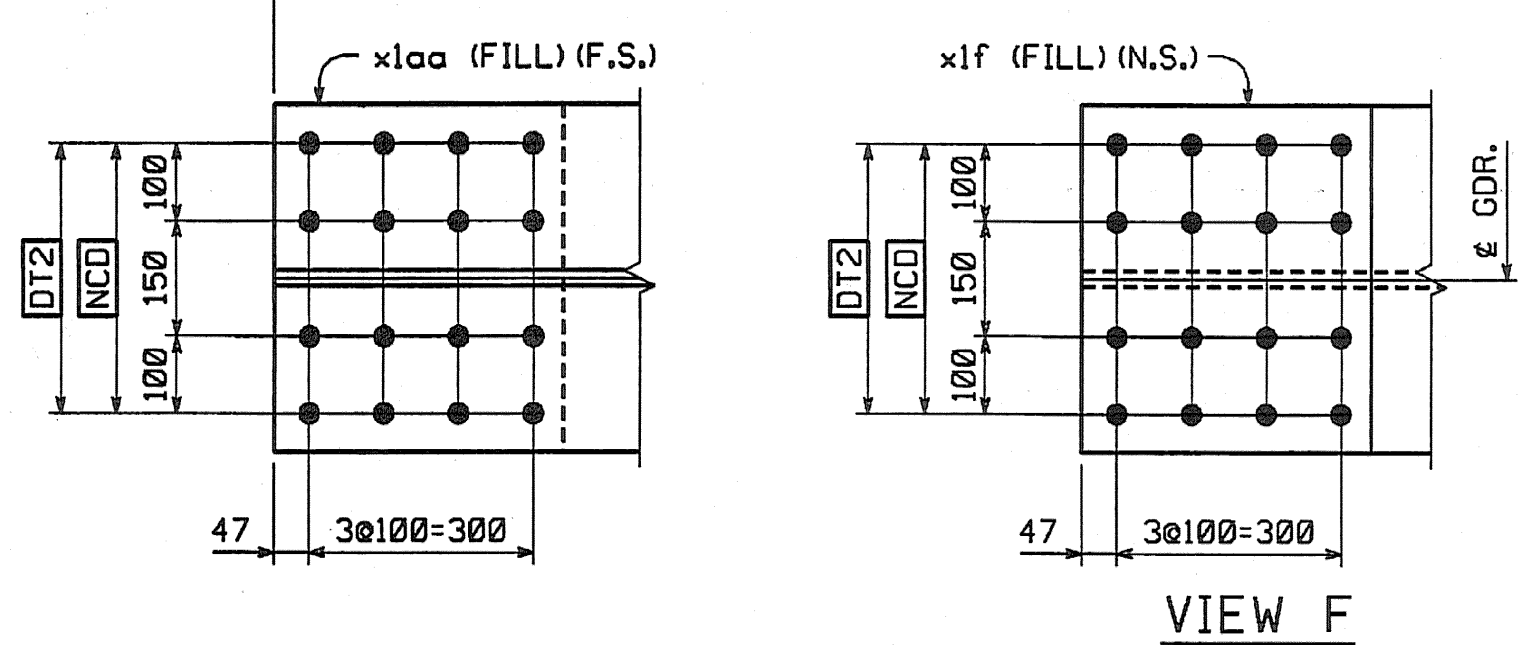
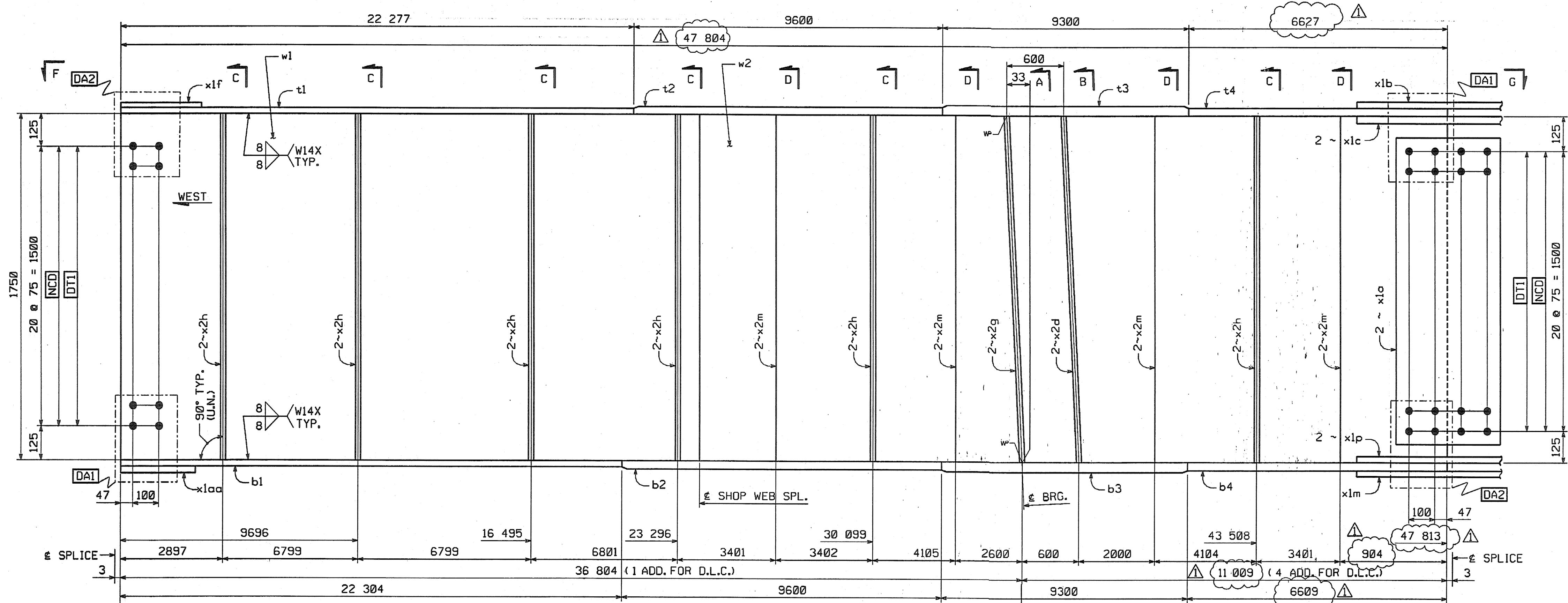
FED. ROAD DIV. NO.	STATE	FED. AID PROJ. NO.
	VT	

BILL OF MATERIAL

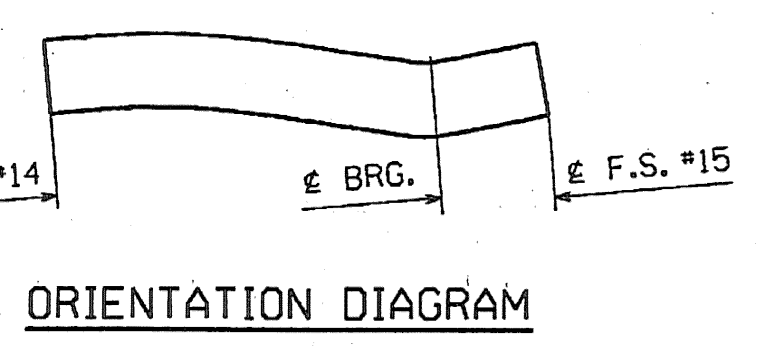
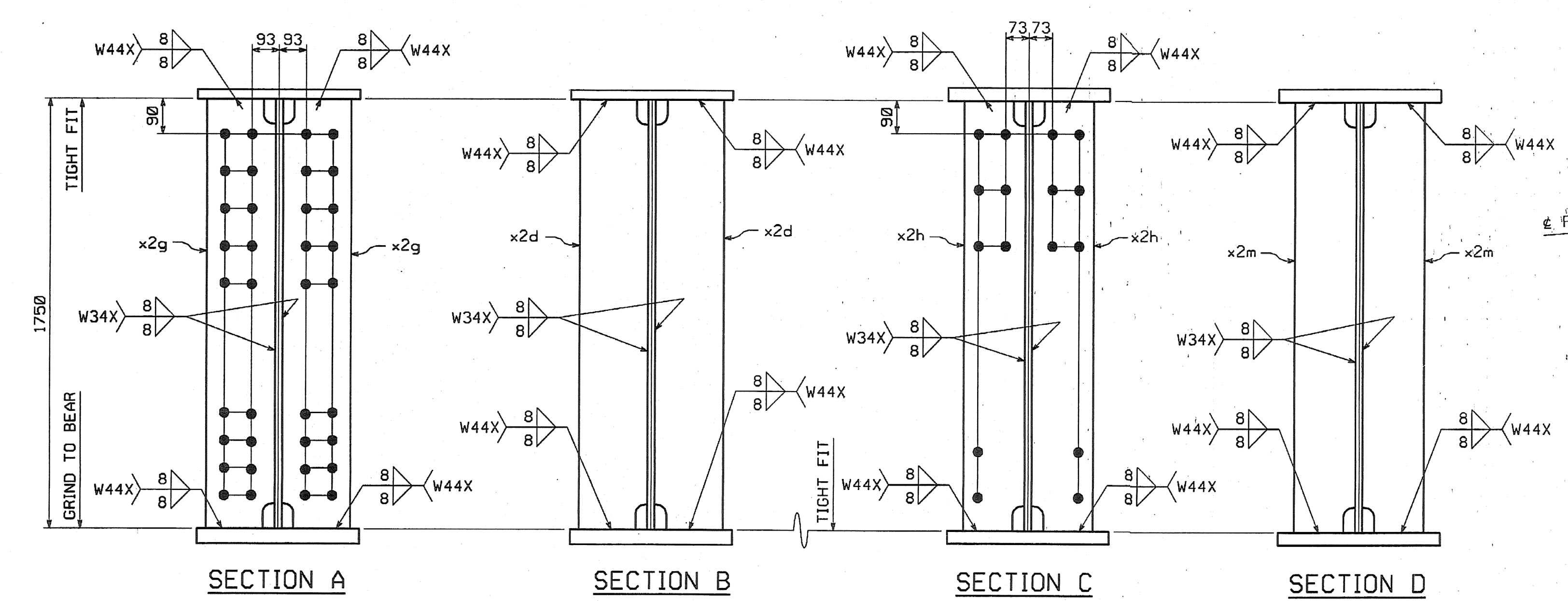
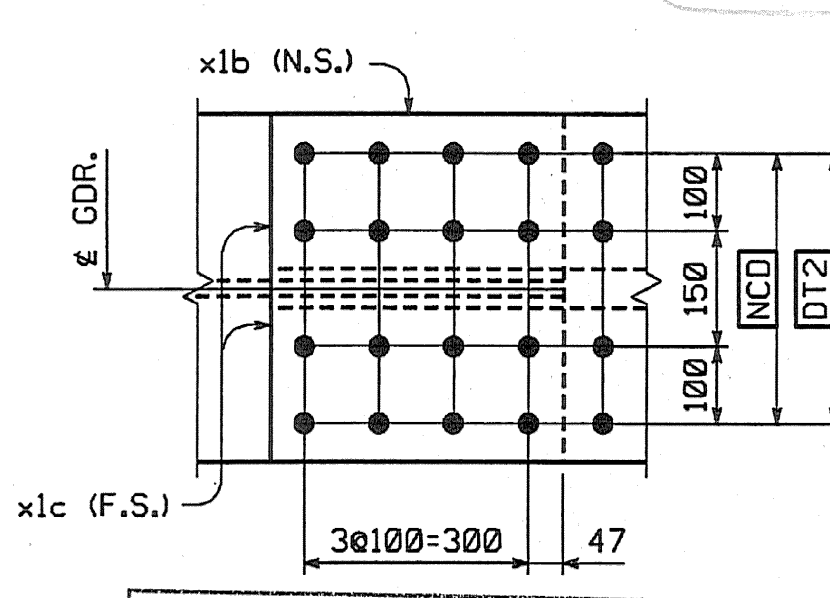
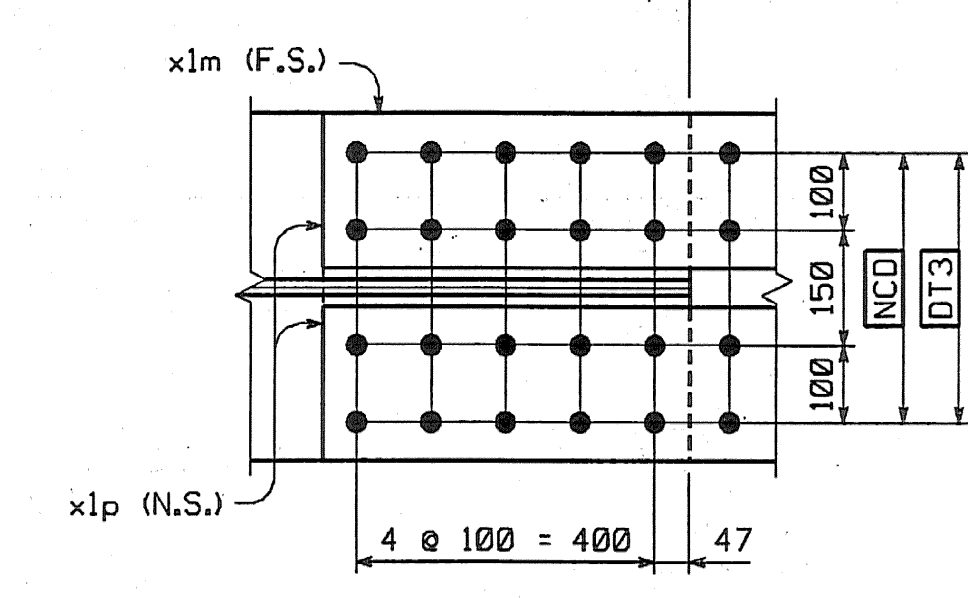
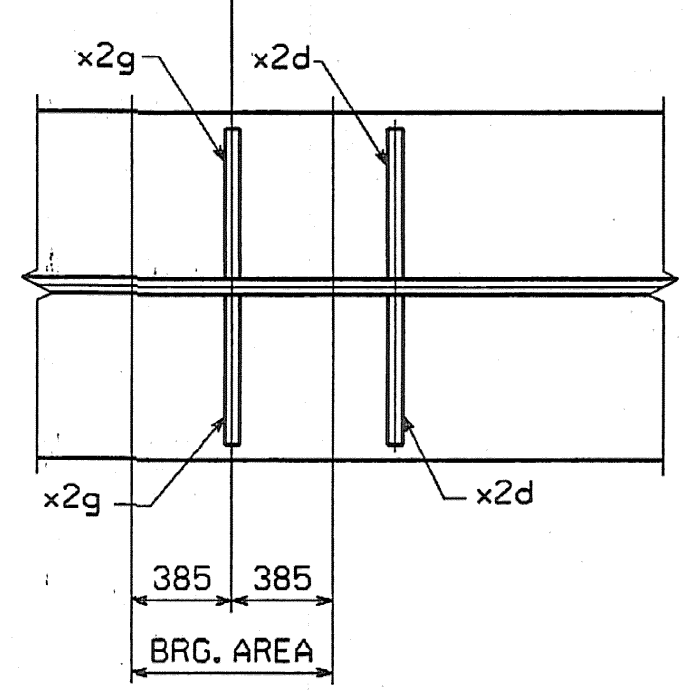
NO.	MARK	DESCRIPTION	LENGTH	REMARKS	GRP.	ITEM	SHIP. WT. KG. EA.
ONE	G6P	GIRDER					25 180
1	w1	PL 16 x 1750	23 812	(T)	3	6	5233.28
1	w2	PL 16 x 1750	24 010	(T) #7308	3	1	5276.79
1	t1	PL 22 x 450	22 277	(T)	4	25	1731.06
1	t2	PL 40 x 450	9 600	(T)	4	8	1356.32
1	t3	PL 80 x 450	9 300	(T)	4	1	2627.88
1	t4	PL 40 x 450	6 628	(T) 6627	4	10	936.43
1	b1	PL 22 x 450	22 304	(T)	4	23	1733.16
1	b2	PL 40 x 450	9 600	(T)	4	8	1356.32
1	b3	PL 80 x 450	9 300	(T)	4	1	2627.88
1	b4	PL 40 x 450	6 610	(T) 6609	4	11	933.89
2	x1a	PL 12 x 1600	400	(T)	6	1	60.28
1	x1b	PL 14 x 450	790	(T)	6	6	39.06
2	x1c	PL 16 x 200	790	(T)	6	6	19.84
1	x1f	PL 10 x 450	392	FILL	6	7	13.85
1	x1m	PL 18 x 450	990	(T)	6	3	62.94
2	x1p	PL 20 x 200	990	(T)	6	2	31.08
1	x1aa	PL 10 x 450	392	FILL	6	7	13.85
2	x2d	PL 38 x 200	1750		7	1	104.39
2	x2g	PL 38 x 200	1750		7	1	104.39
12	x2h	PL 12 x 180	1750		7	4	29.67
8	x2m	PL 12 x 180	1750		7	4	29.67

TOTAL WEIGHT THIS SHEET: 25 176.08 kgs

25176.08 kgs
25176.08 kgs
25176.08 kgs
08-21-06
08-22-06



GIRDER ~ G6P



SHOP NOTE
HOLES: 1 5/16"
BOLTS: NONE
PAINT: NONE
FOR GENERAL SHOP NOTES, SEE DWG. GNI.
FOR WEB CAMBER DIAGRAM, SEE DWG. WC.4.

VIEWING REVIEW

REVIEWED AS REQUIRED BY THE CONSTRUCTION CONTRACT DOCUMENTS AND APPROVED, BUT ONLY FOR CONFORMANCE TO THE DESIGN CONCEPT OF THE WORK, AND SUBJECT TO FURTHER LIMITATIONS AND REQUIREMENTS CONTAINED IN THE CONSTRUCTION CONTRACT DOCUMENTS.

REJECTED REVISE AND RESUBMIT FURNISH AS CORRECTED

CORRECTIONS OR COMMENTS MADE ON THE SHOP DRAWINGS DURING THIS REVIEW DO NOT RELIEVE CONTRACTOR FROM COMPLIANCE WITH REQUIREMENTS OF THE DRAWINGS AND SPECIFICATIONS. THIS CHECK IS ONLY FOR REVIEW OF GENERAL CONFORMANCE WITH THE DESIGN CONCEPT OF THE PROJECT AND GENERAL COMPLIANCE WITH THE INFORMATION GIVEN IN THE CONTRACT DOCUMENTS. THE CONTRACTOR IS RESPONSIBLE FOR CORRECTING AND CORRELATING ALL QUANTITIES AND DIMENSIONS, SELECTING FABRICATION PROCESSES AND TECHNIQUES OF CONSTRUCTION, COORDINATING HIS WORK WITH THAT OF ALL OTHER TRADES, AND PERFORMING HIS WORK IN A SAFE AND SATISFACTORY MANNER.

Vanasse Hangen Brustlin, Inc.
Engineers, Planners, and Scientists
Six Bedford Farms, North Bed
Bedford, NH 03110 603 644 0889

Job Number: 5091
Reviewed by: [Signature]
Date: 11/11/04

NO.	REVISION	BY	DATE
1	INCREASE LENGTHS TO SATISFY REQUIREMENTS FOR LENGTH & MEAN TEMPERATURE OF 45F.	JSA	9/17/04

HIGH STEEL STRUCTURES, INC.
1770 Henshaw Road
Lancaster, PA 17605-0008
Phone 717/299-5211
A Division of High Industries, Inc.

GIRDER G6P
VT 78 OVER MISSISSQUOI BAY, BRIDGE NO. 2
VT 78 STA.10+970.425 TO STA.12+059.775
TOWNS OF ALBURG AND SWANTON
COUNTIES OF GRAND ISLE AND FRANKLIN
STATE OF VERMONT, AGENCY OF TRANSPORTATION

STATE CONTRACT OR REF. NO. BRF-036-1(1)
CONTRACTOR CIAMBRO CORPORATION
IN CHARGE: GLIDDEN (IH) MADE BY: SES CHK'D. BY: CS DATE: 8-23-04
CONTRACT NUMBER: VT-04057-2 DRAWING NUMBER: 62 OF 112