

METRIC

1. ALL DIMENSIONS ARE IN MILLIMETERS UNLESS OTHERWISE NOTED.
2. ALL WEIGHTS ARE IN KILOGRAMS.

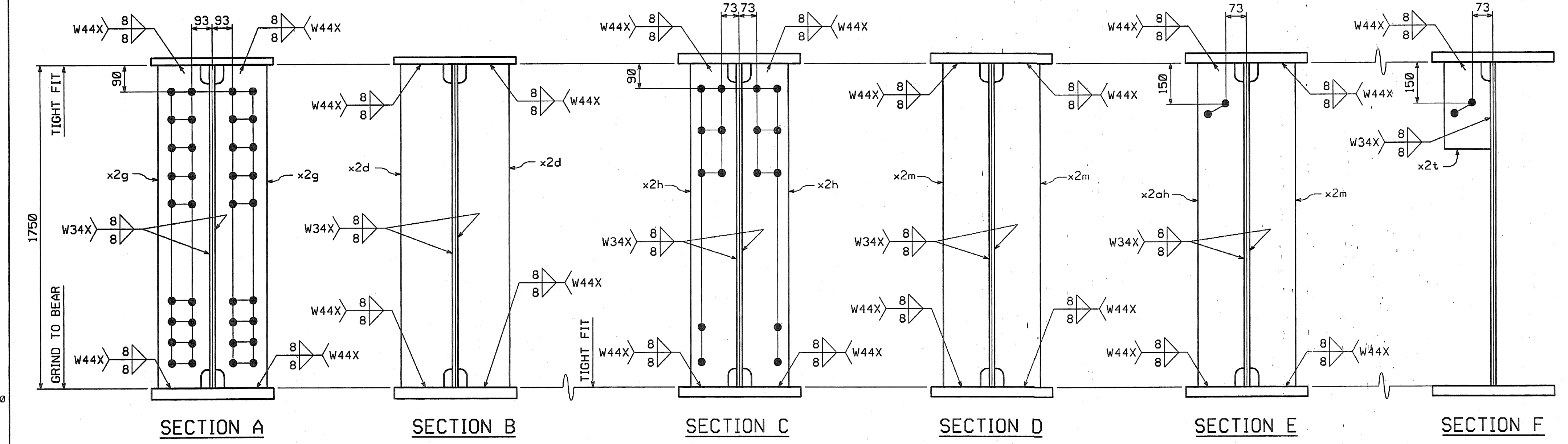
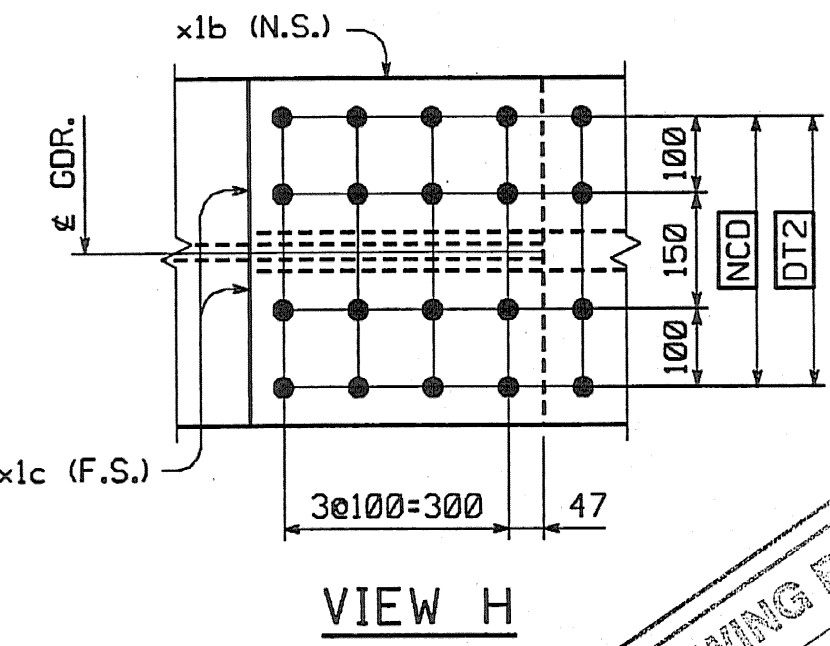
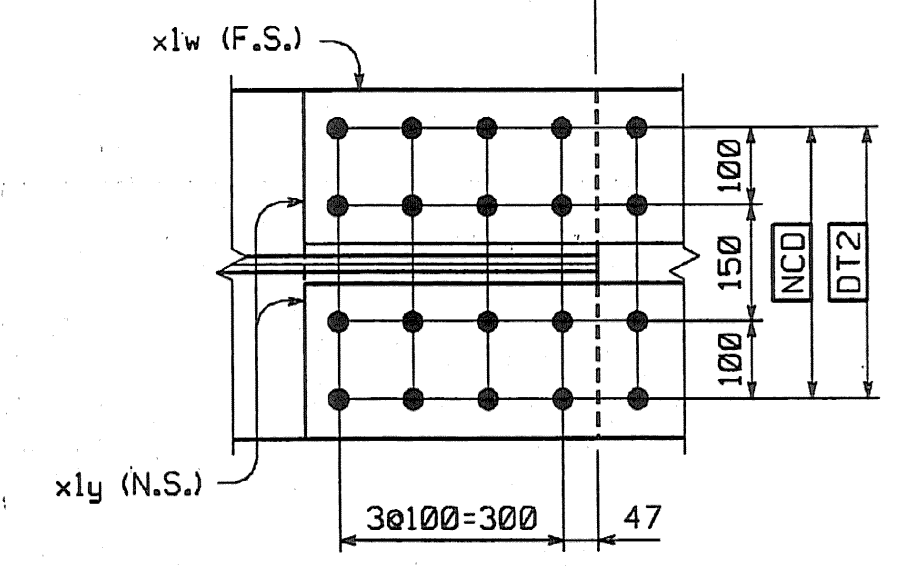
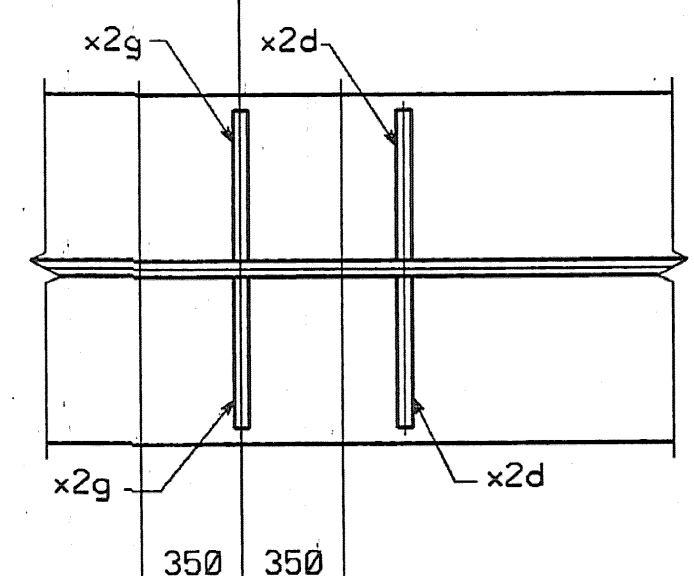
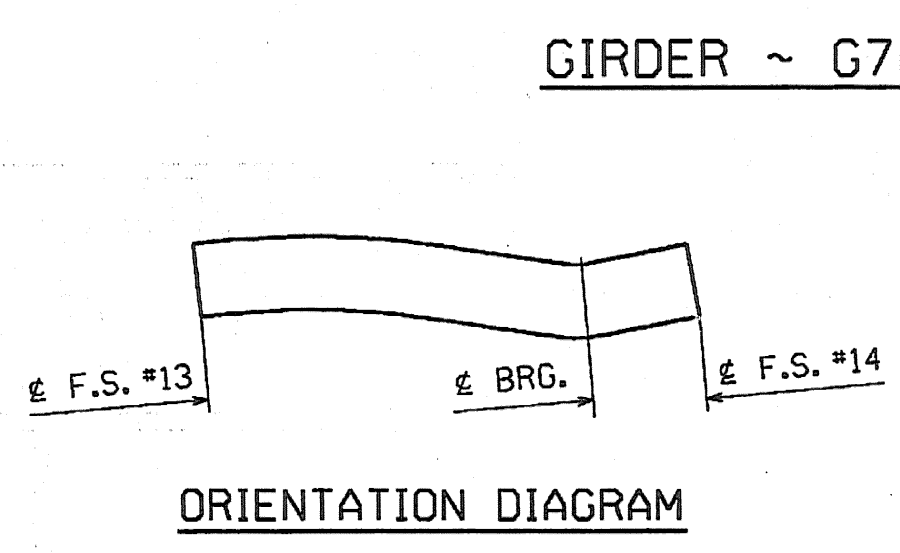
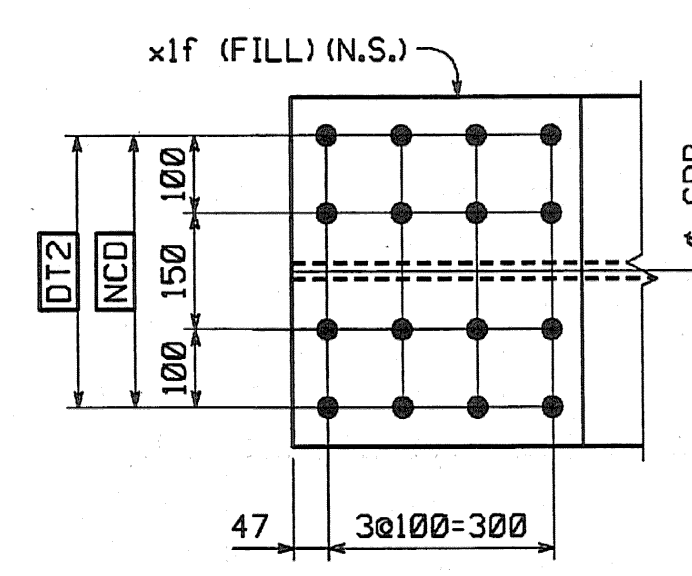
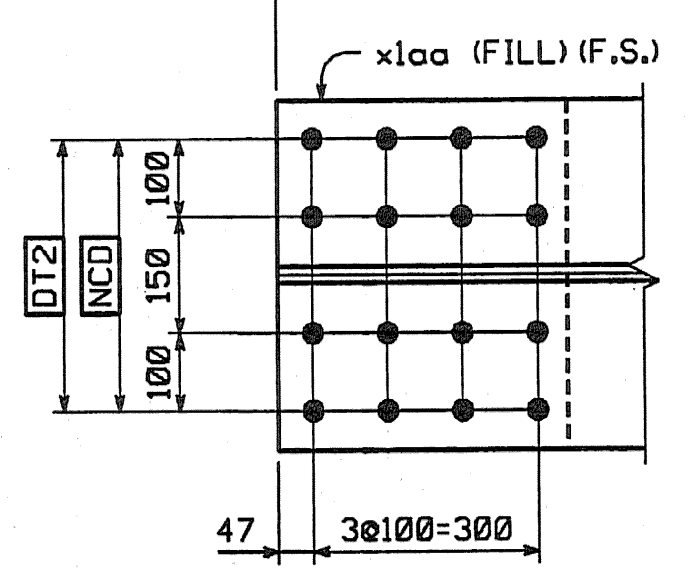
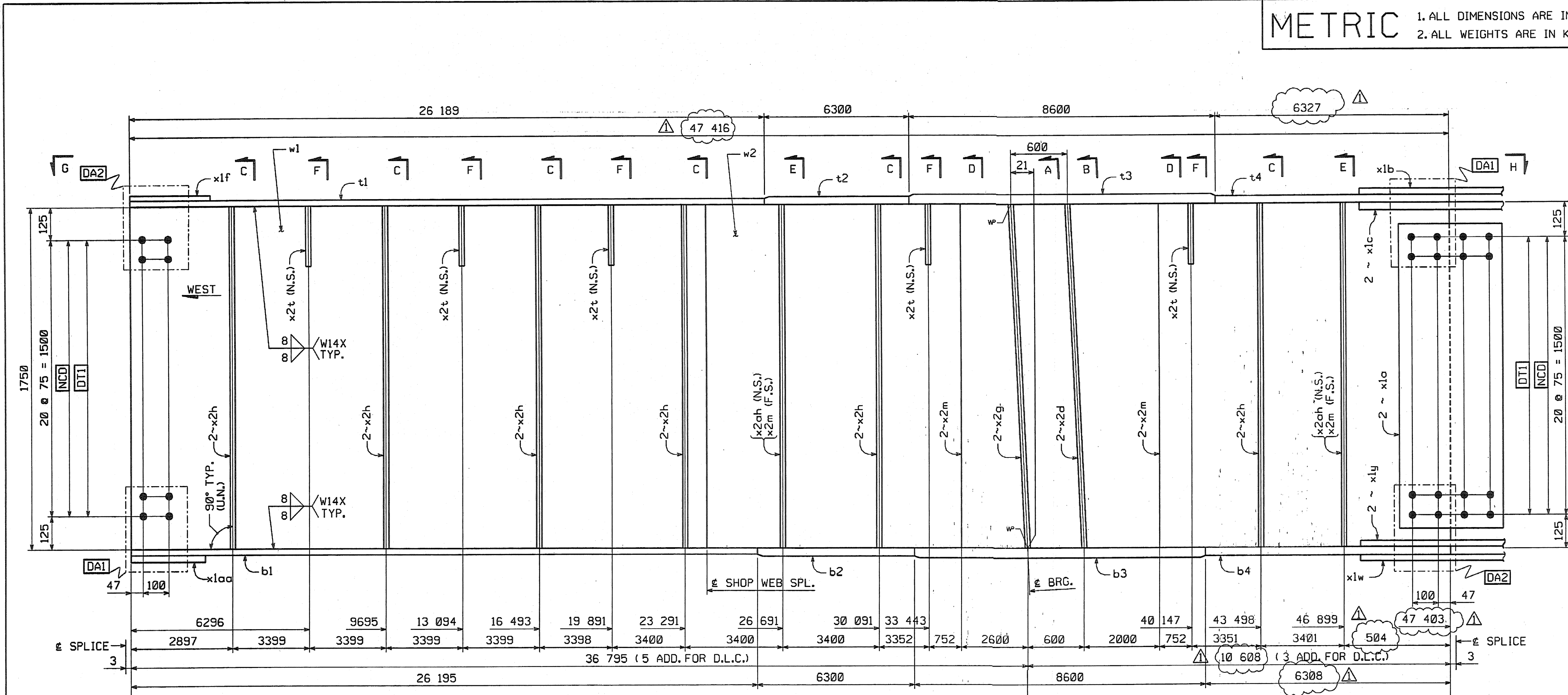
FED. ROAD DIV. NO.	STATE	FED. AID PROJ. NO.
	VT	

BILL OF MATERIAL

NO.	MARK	DESCRIPTION	LENGTH	REMARKS	GRP.	ITEM	SHIP. WT. KG. EA.
ONE	G70	GIRDER					22 650
1	w1	PL 16 x 1750	23 812	(T)	3	4	5233.28
1	w2	PL 16 x 1750	23 611	(T)	3	7	5189.70
1	t1	PL 22 x 450	26 189	(T)	4	20	2035.04
1	t2	PL 32 x 450	6 300	(T)	4	15	742.07
1	t3	PL 65 x 450	8 600	(T)	4	3	1974.44
1	t4	PL 32 x 450	6 327	(T)	4	13	745.12
1	b1	PL 22 x 450	26 195	(T)	4	20	2035.51
1	b2	PL 32 x 450	6 300	(T)	4	15	742.07
1	b3	PL 65 x 450	8 600	(T)	4	3	1974.44
1	b4	PL 32 x 450	6 308	(T)	4	14	742.97
2	x1a	PL 12 x 1600	400	(T)	6	1	60.28
1	x1b	PL 14 x 450	790	(T)	6	6	39.06
2	x1c	PL 16 x 200	790	(T)	6	5	49.84
1	x1f	PL 10 x 450	392	FILL	6	7	13.85
1	x1w	PL 14 x 450	790	(T)	6	6	39.06
2	x1y	PL 16 x 200	790	(T)	6	5	49.84
1	x1aa	PL 10 x 450	392	FILL	6	7	13.85
2	x2d	PL 38 x 200	1 750		7	1	104.39
2	x2g	PL 38 x 200	1 750		7	1	104.39
12	x2h	PL 12 x 180	1 750		7	4	29.67
6	x2m	PL 12 x 180	1 750		7	4	29.67
5	x2t	PL 14 x 180	310		7	3	8.13
2	x2ah	PL 12 x 180	1 750		7	4	29.67
TOTAL WEIGHT THIS SHEET:							22 644.43 kgs

10420.61
2035.28
712.15
1974.67
715.20
2035.74
712.15
1974.67
713.06
120.58
39.07
49.84
13.85
39.07
49.84
13.85
208.81
208.81
356.08
778.04
30.46
59.35

22641.08 kg
JMR
8-7-06



SHOP NOTE

HOLES: 15/16"
BOLTS: NONE
PAINT: NONE
FOR GENERAL SHOP NOTES, SEE DWG. G-1
FOR WEB CAMBER DIAGRAM, SEE DWG. W-3

SHOP DRAWING REVIEW

APPROVED AS REQUIRED BY THE CONSTRUCTION CONTRACT DOCUMENTS AND APPROVED FOR THE CONTRACTOR BY THE DESIGNER. THE DESIGNER'S RESPONSIBILITY IS LIMITED TO THE DESIGN AND SHALL NOT BE EXTENDED TO THE CONSTRUCTION OF THE WORK OR TO THE QUALITY OF THE MATERIALS USED THEREIN.

DATE: 8/17/04

REVIEWED BY: [Signature]

NO.	REVISION	BY	DATE
INCREASE LENGTHS TO SATISFY REQUIREMENTS FOR LENGTH & MEAN TEMPERATURE OF 45°F.			
JSA 9/17/04			
HIGH STEEL STRUCTURES, INC.			
GIRDER G70			
VT 78 OVER MISSISSQUOI BAY, BRIDGE NO. 2			
VT 78 STA.10+970.425 TO STA.12+059.775			
TOWNS OF ALBURG AND SWANTON			
COUNTIES OF GRAND ISLE AND FRANKLIN			
STATE OF VERMONT, AGENCY OF TRANSPORTATION			
STATE CONTRACT OR REF. NO. BRF-036-111			
CONTRACTOR CIAMBRO CORPORATION			
IN CHARGE: GLIDDEN (IH) MADE BY: SSL CHK'D: CG DATE: 8-23-04			
CONTRACT NUMBER: VT-04057-2 DRAWING NUMBER: 59 OF 112			

BY: dpmr
PLOTTED: 9/29/2004 10:07:04 PM

CODE:30