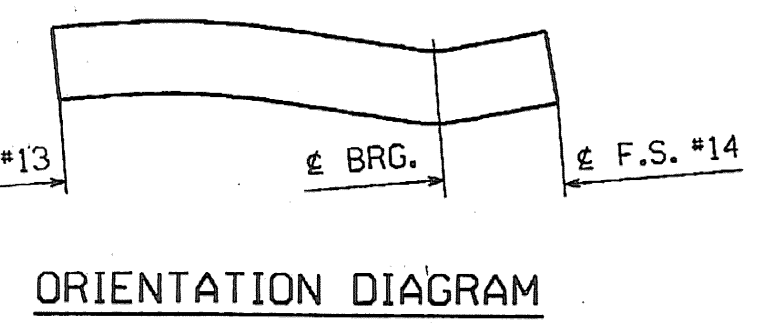
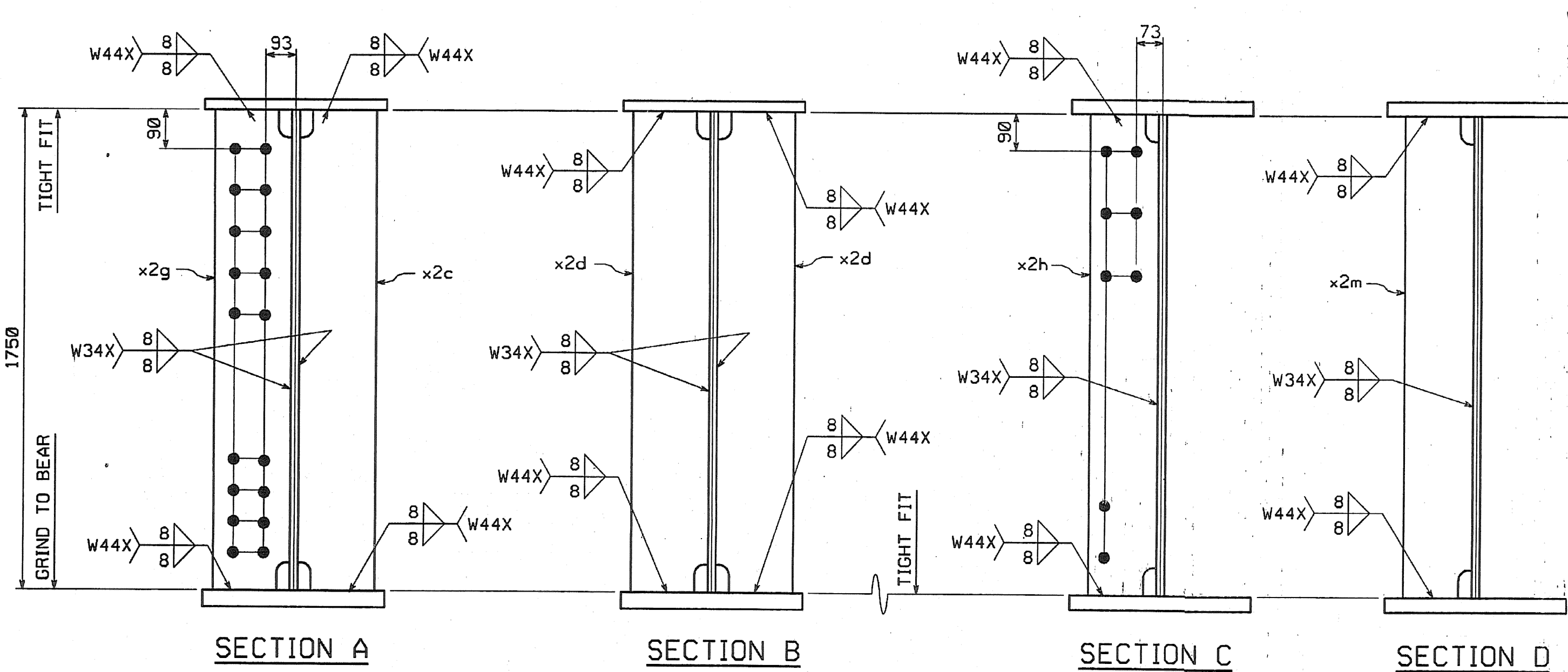
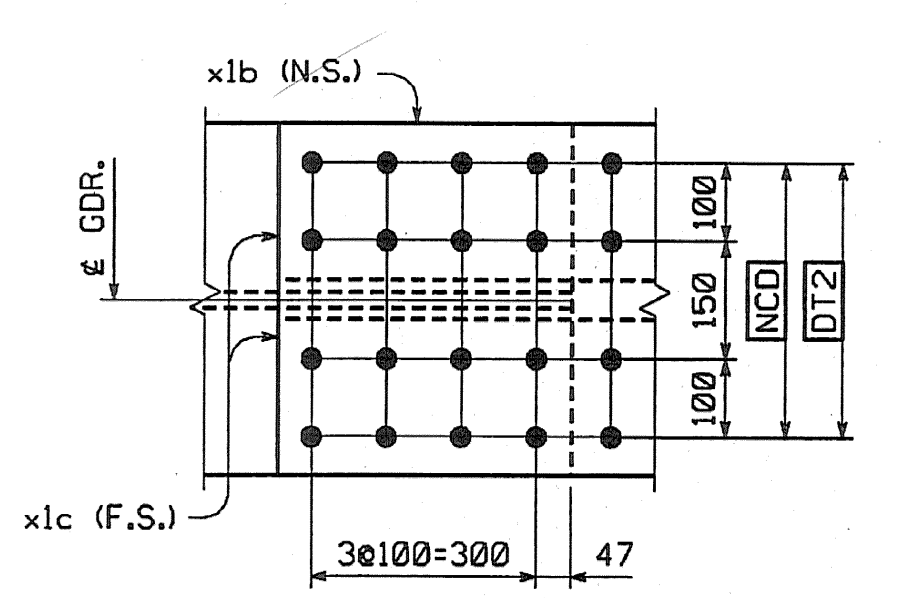
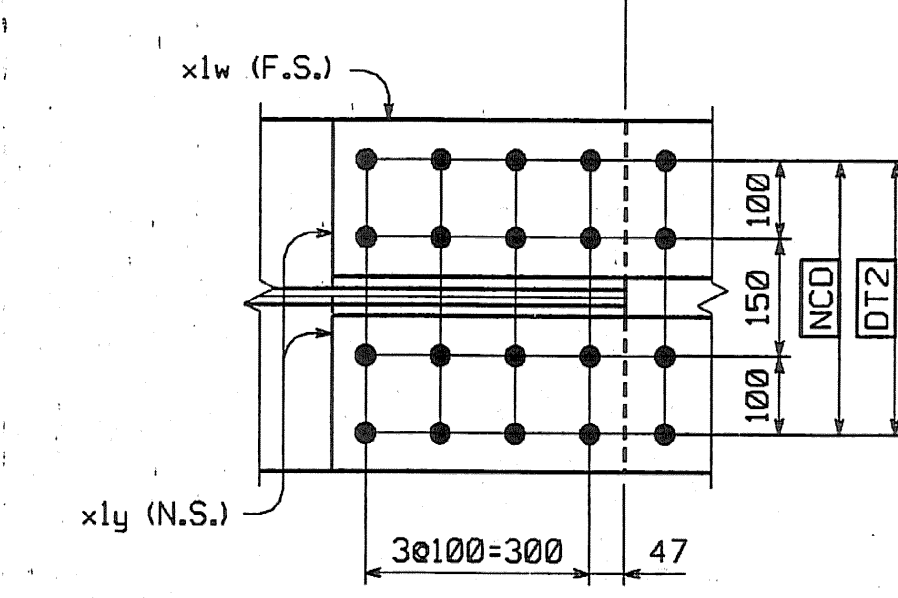
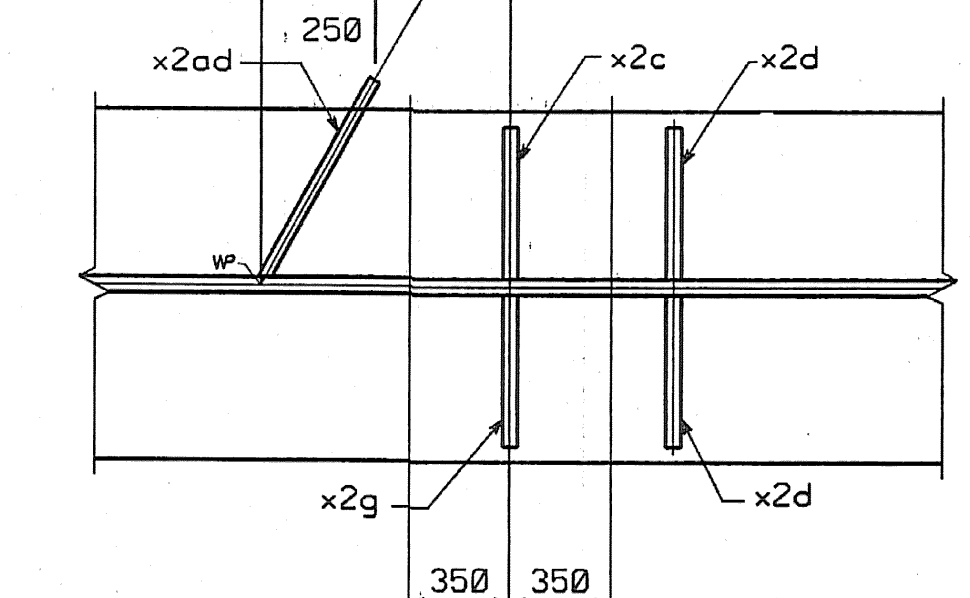
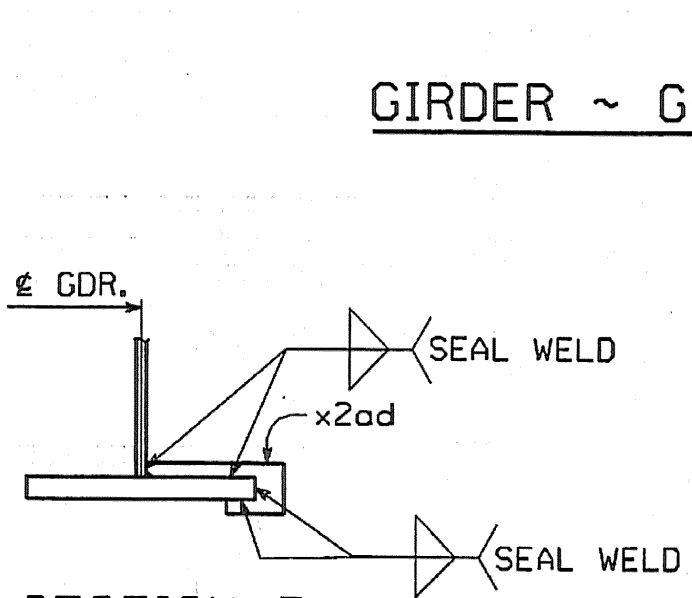
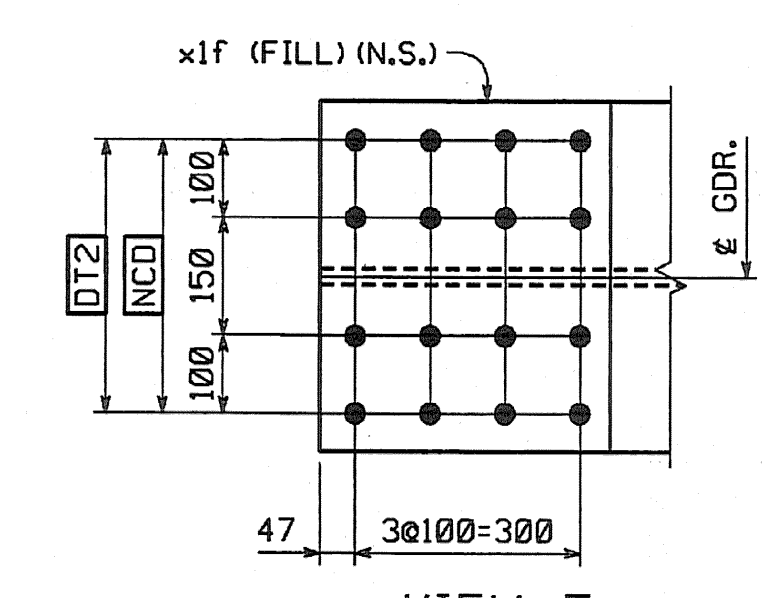
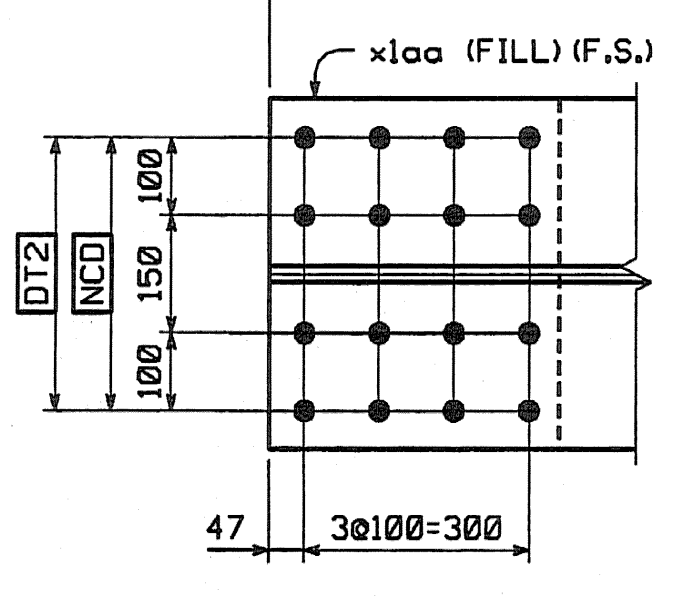
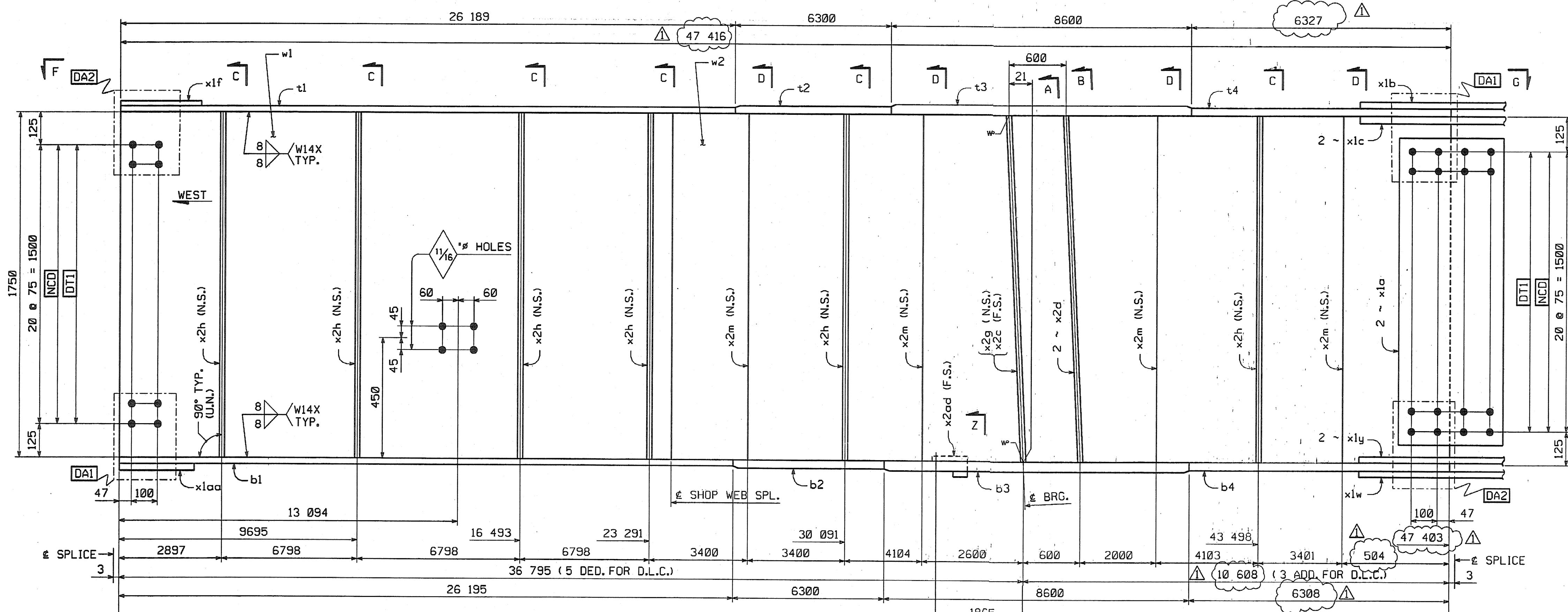


METRIC 1. ALL DIMENSIONS ARE IN MILLIMETERS UNLESS OTHERWISE NOTED.
2. ALL WEIGHTS ARE IN KILOGRAMS.

FED. ROAD DIV. NO.	STATE	FED. AID PROJ. NO.
	VT	

BILL OF MATERIAL

NO.	MARK	DESCRIPTION	LENGTH	REMARKS	GRP.	ITEM	SHIP. WT. KG. EA.
ONE	G50	GIRDER					22 320
1	w1	PL 16 x 1750	23 812	(T)	3	4	5293.28
1	w2	PL 16 x 1750	23 611	(T)	4	7	5488.10
1	t1	PL 22 x 450	26 189	(T)	4	20	2035.04
1	t2	PL 32 x 450	6 300	(T)	4	15	742.07
1	t3	PL 65 x 450	8 600	(T)	4	3	1974.44
1	t4	PL 32 x 450	6 327	(T)	4	13	715.12
1	b1	PL 22 x 450	26 195	(T)	4	20	2035.51
1	b2	PL 32 x 450	6 300	(T)	4	15	742.07
1	b3	PL 65 x 450	8 600	(T)	4	3	1974.44
1	b4	PL 32 x 450	6 308	(T)	4	14	742.97
2	x1a	PL 12 x 1600	400	(T)	6	1	60.28
1	x1b	PL 14 x 450	790	(T)	6	6	39.06
2	x1c	PL 16 x 200	790	(T)	6	5	19.84
1	x1f	PL 10 x 450	392	FILL	6	7	13.85
1	x1w	PL 14 x 450	790	(T)	6	6	39.06
2	x1y	PL 16 x 200	790	(T)	6	5	19.84
1	x1aa	PL 10 x 450	392	FILL	6	7	13.85
1	x2c	PL 38 x 200	1 750		7	1	104.39
2	x2d	PL 38 x 200	1 750		7	1	104.39
1	x2g	PL 38 x 200	1 750		7	1	104.39
6	x2h	PL 12 x 180	1 750		7	4	29.67
4	x2m	PL 12 x 180	1 750		7	4	29.67
1	x2ad	PL 6 x 445	301	$V_{ol} = 99.658 m^3$	7	5	4.63
TOTAL WEIGHT THIS SHEET:							22 316.71 kgs



SHOP NOTE
HOLES: 1 1/16" (U.N.)
BOLTS: NONE
PAINT: NONE
FOR GENERAL SHOP NOTES, SEE DWG. GNI.
FOR WEB CAMBER DIAGRAM, SEE DWG. WC3.

SHOP DRAWING REVIEW

REVIEWED AS REQUIRED BY THE CONSTRUCTION CONTRACT DOCUMENTS AND APPROVED, BUT ONLY FOR CONFORMANCE TO THE DESIGN CONCEPT OF THE WORK, AND SUBJECT TO FURTHER LIMITATIONS AND REQUIREMENTS CONTAINED IN THE CONSTRUCTION CONTRACT DOCUMENTS.

REJECTED REVISED AND RESUBMIT REVISION AS CORRECTED

CONNECTIONS OR COMMENTS MADE ON THE SHOP DRAWINGS DURING THIS REVIEW DO NOT RELIEVE CONTRACTOR FROM COMPLIANCE WITH REQUIREMENTS OF THE DRAWINGS AND SPECIFICATIONS. THIS CHECK IS ONLY FOR REVIEW OF GENERAL COMPLIANCE WITH THE DESIGN CONCEPT OF THE PROJECT AND DOES NOT CONSTITUTE AN ENDORSEMENT OF THE DESIGN OR THE CONTRACT DOCUMENTS. THE CONTRACTOR IS RESPONSIBLE FOR COMPARING AND CORRELATING ALL QUANTITIES AND DIMENSIONS, INCLUDING FABRICATION PROCESSES AND REQUIREMENTS OF CONSTRUCTION, COORDINATING HIS WORK WITH THAT OF ALL OTHER TRADES, AND PERFORMING HIS WORK IN A SAFE AND SATISFACTORY MANNER.

Vanasse Hangen Brustlin, Inc.
Engineers, Planners, and Scientists
300 Bedford Street, Suite 200
Bedford, NH 03110-2000
Job Number: 50611
Reviewed By: *[Signature]*
Date: 11/13/04

INCREASE LENGTHS TO SATISFY REQUIREMENTS FOR LENGTH	JSA	9/17/04
MEAN TEMPERATURE OF 45°F.		
NO.	REVISION	BY DATE

HIGH STEEL STRUCTURES, INC.
1770 Hempstead Road
Lancaster, PA 17605-0008
Phone 717/299-5211

GIRDER G50
VT 78 OVER MISSISSQUOI BAY, BRIDGE NO. 2
VT 78 STA.10+970.425 TO STA.12+059.775
TOWNS OF ALBURG AND SWANTON
COUNTIES OF GRAND ISLE AND FRANKLIN
STATE OF VERMONT, AGENCY OF TRANSPORTATION

STATE CONTRACT OR REF. NO. BRF-036-1(1)
CONTRACTOR CIAMBRO CORPORATION
IN CHARGE: GLIDDEN (IH) MADE BY: SSL CHK'D. BY: CS DATE: 8-23-04
CONTRACT NUMBER: VT-04057-2 DRAWING NUMBER: 57 OF 112