

METRIC

1. ALL DIMENSIONS ARE IN MILLIMETERS UNLESS OTHERWISE NOTED.  
2. ALL WEIGHTS ARE IN KILOGRAMS.

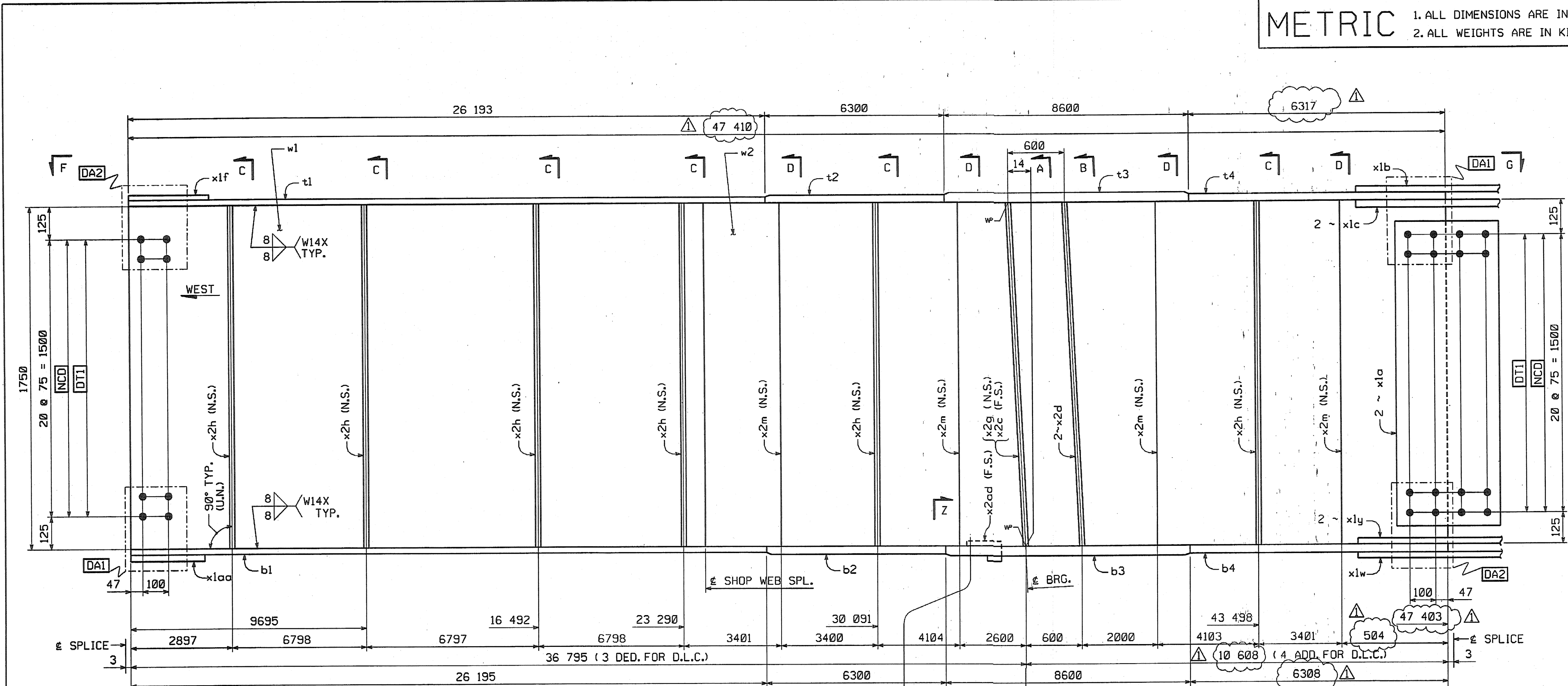
FED. ROAD DIV. NO.	STATE	FED. AID PROJ. NO.
	VT	

BILL OF MATERIAL

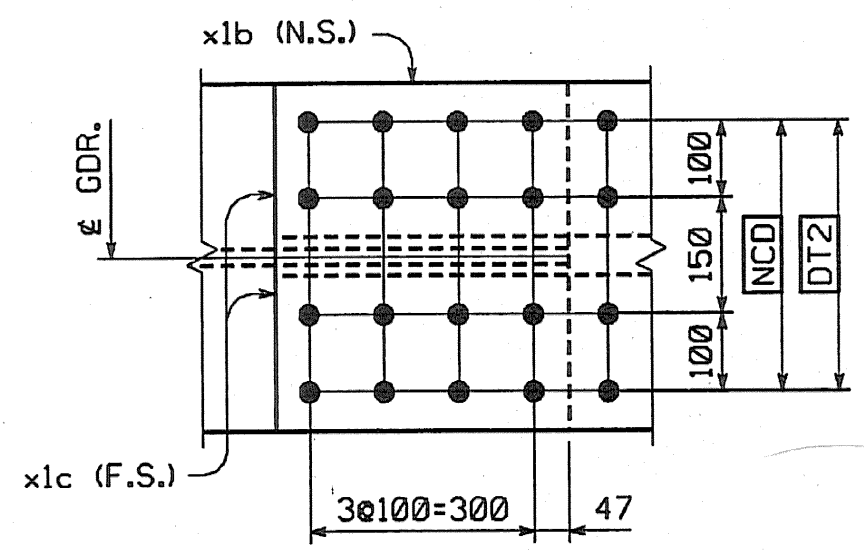
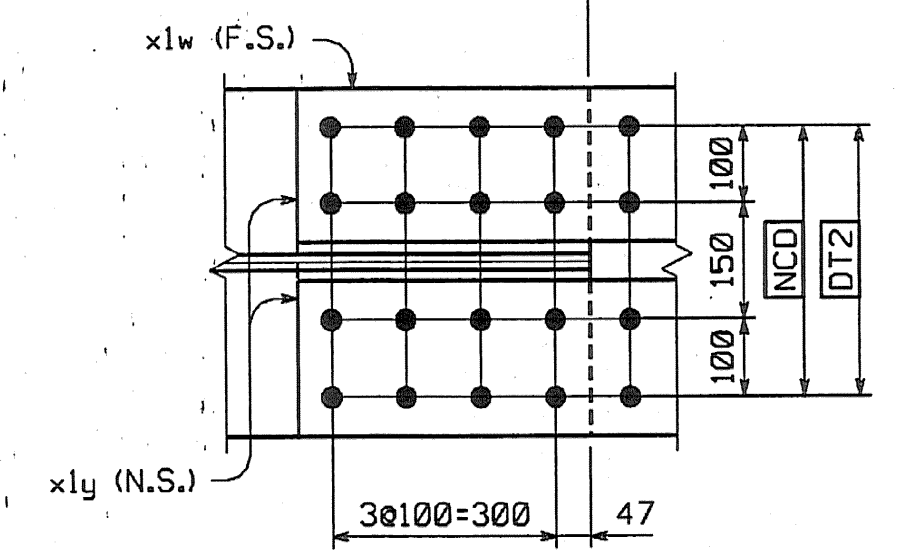
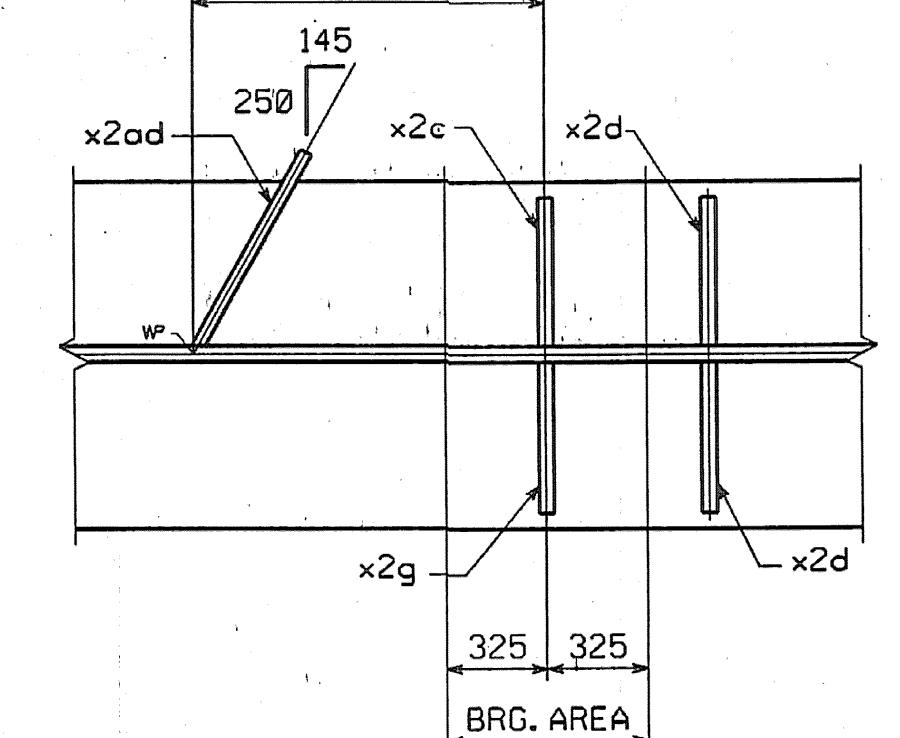
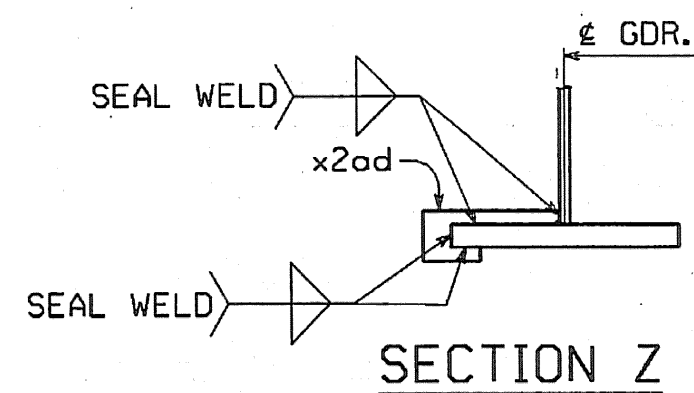
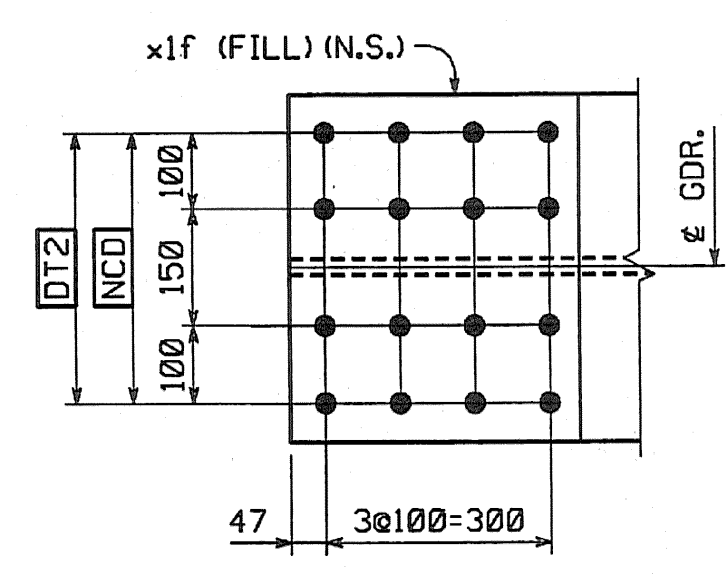
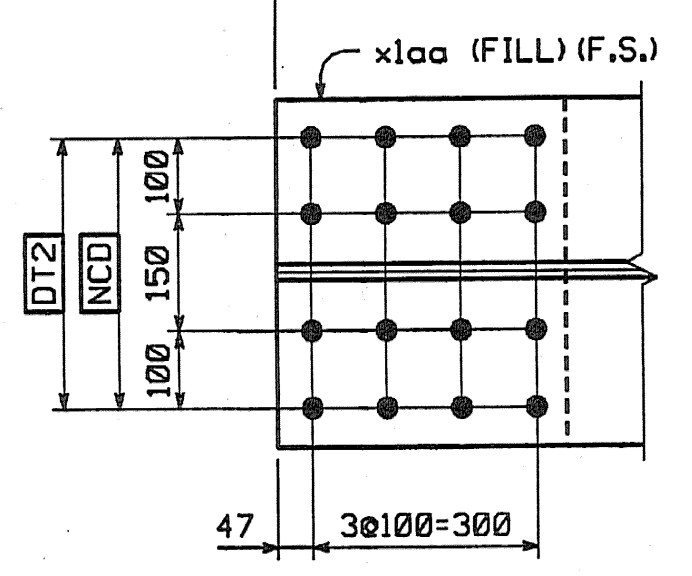
NO.	MARK	DESCRIPTION	LENGTH	REMARKS	GRP.	ITEM	SHIP. WT. KG. EA.
ONE	G5N	GIRDER					22 320
1	w1	PL 16 x 1750	23 808	(T)	3	4	5232.40
1	w2	PL 16 x 1750	23 609	(T)	3	7	5188.66
1	t1	PL 22 x 450	26 193	(T)	4	20	2035.36
1	t2	PL 32 x 450	6 300	(T)	4	15	712.07
1	t3	PL 65 x 450	8 600	(T)	4	3	1974.44
1	t4	PL 32 x 450	6 317	(T)	4	14	713.99
1	b1	PL 22 x 450	26 195	(T)	4	20	2035.51
1	b2	PL 32 x 450	6 300	(T)	4	15	712.07
1	b3	PL 65 x 450	8 600	(T)	4	3	1974.44
1	b4	PL 32 x 450	6 308	(T)	4	14	712.97
2	x1a	PL 12 x 1600	400	(T)	6	1	60.28
1	x1b	PL 14 x 450	790	(T)	6	6	39.06
2	x1c	PL 16 x 200	790	(T)	6	5	19.84
1	x1f	PL 10 x 450	392	FILL	6	7	13.85
1	x1w	PL 14 x 450	790	(T)	6	6	39.06
2	x1y	PL 16 x 200	790	(T)	6	5	19.84
1	x1aa	PL 10 x 450	392	FILL	6	7	13.85
1	x2c	PL 38 x 200	1 750		7	1	104.39
2	x2d	PL 38 x 200	1 750		7	1	104.39
1	x2g	PL 38 x 200	1 750		7	1	104.39
6	x2h	PL 12 x 180	1 750		7	4	29.67
4	x2m	PL 12 x 180	1 750		7	4	29.67
1	x2ad	PL 6 x 115	301		7	5	1.63

TOTAL WEIGHT THIS SHEET: 22 313.57 kgs

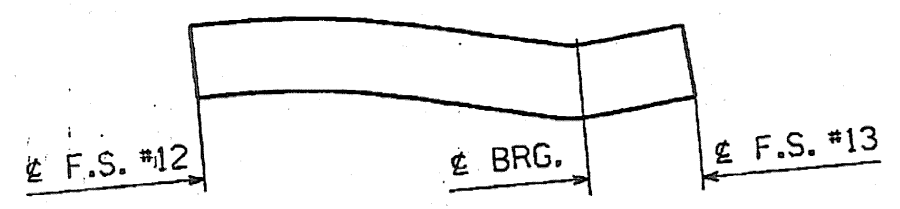
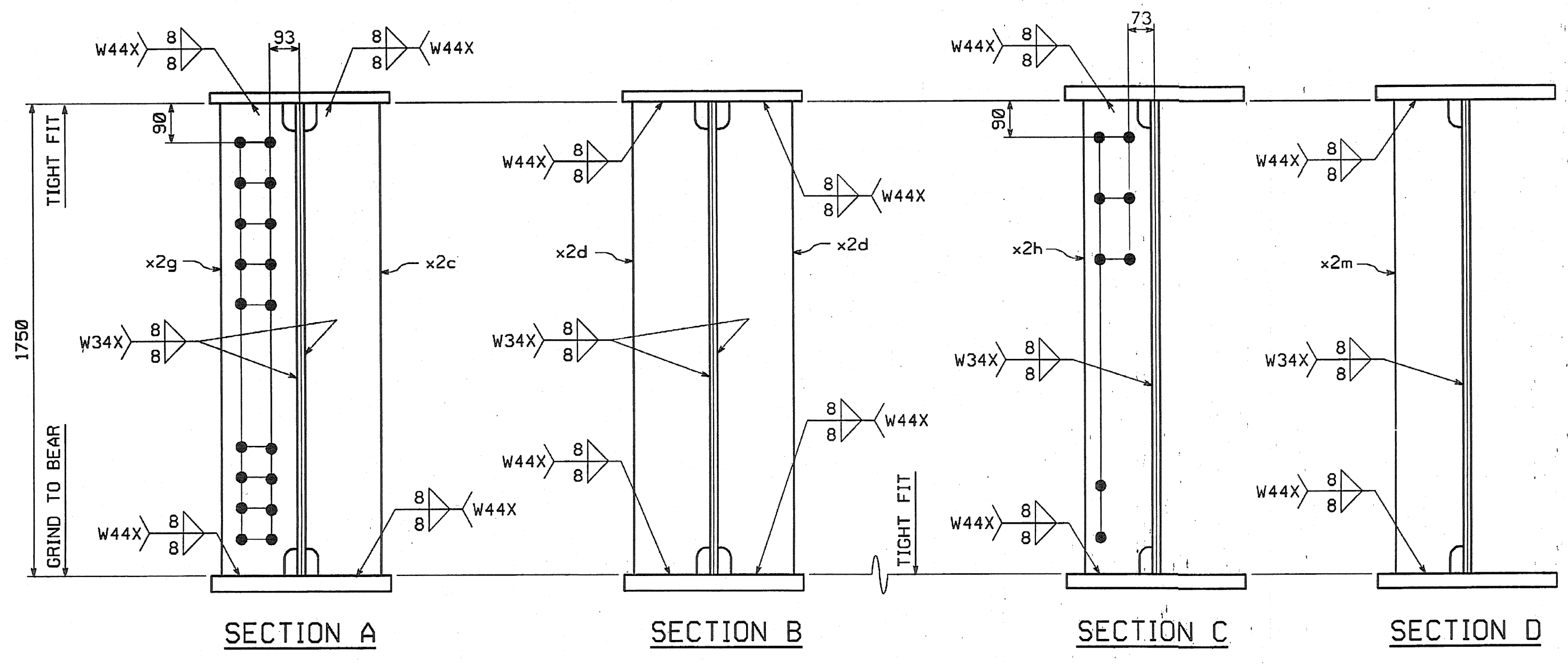
SHEET REVISED 8-5-2005 SEE UPDATED SHEET 53 OF 112 JMR 8-1-06



GIRDER ~ G5N



VIEW G



ORIENTATION DIAGRAM

SHOP NOTE

HOLES: 1 5/16" Ø  
BOLTS: NONE  
PAINT: NONE  
FOR GENERAL SHOP NOTES, SEE DWG. GNI.  
FOR WEB CAMBER DIAGRAM, SEE DWG. WC3.

**SHOP DRAWING REVIEW**

REVIEWED AS REQUIRED BY THE CONSTRUCTION CONTRACT DOCUMENTS AND APPROVED, BUT ONLY FOR CONFORMANCE TO THE DESIGN CONCEPT OF THE WORK, AND SUBJECT TO FURTHER LIMITATIONS AND REQUIREMENTS CONTAINED IN THE CONSTRUCTION CONTRACT DOCUMENTS.

REJECTED  REVISE AND RESUBMIT  FURNISH AS CORRECTED

CORRECTIONS OR COMMENTS MADE ON THE SHOP DRAWINGS DURING THIS REVIEW DO NOT RELIEVE CONTRACTOR FROM COMPLIANCE WITH REQUIREMENTS OF THE CONTRACT DOCUMENTS AND SPECIFICATIONS. THIS CHECK IS ONLY FOR REVIEW OF GENERAL CONFORMANCE WITH THE DESIGN CONCEPT OF THE PROJECT AND GENERAL COMPLIANCE WITH THE OPERATIONAL GRAY IN THE CONTRACT DOCUMENTS. THE CONTRACTOR IS RESPONSIBLE FOR CORRECTING AND CORRELATING ALL QUANTITIES AND DIMENSIONS, SELECTING FABRICATION PROCESSES AND TECHNIQUES OF CONSTRUCTION, COORDINATING HIS WORK WITH THAT OF ALL OTHER TRADES, AND PERFORMING HIS WORK AS A SKILL AND CAREFUL WORKMAN.

Wentworth Hargrett Division, Inc. Job Number: 50a11  
Engineers, Planners, and Scientists  
201 Essex Street, Room 500  
Burlington, VT 05401-1002 802 854 0000  
Date: 11/18/04

NO.	REVISION	BY	DATE
		JSA	9/17/04

**HIGH STEEL STRUCTURES, INC.**

1770 Hempstead Road  
Lancaster, PA 17605-0008  
Phone 717/299-5211  
A Division of High Industries, Inc.

GIRDER G5N

VT 78 OVER MISSISQUOI BAY, BRIDGE NO. 2  
VT 78 STA.10+970.425 TO STA.12+059.775  
TOWNS OF ALBURG AND SWANTON  
COUNTIES OF GRAND ISLE AND FRANKLIN  
STATE OF VERMONT, AGENCY OF TRANSPORTATION

STATE CONTRACT OR REF. NO. BRF-036-1(1)

CONTRACTOR CIAMBRO CORPORATION

IN CHARGE: GLIDDEN (IH) MADE BY: ERS BY: CS DATE: 8-23-04

CONTRACT NUMBER: VT-04057-2 DRAWING NUMBER: 53 OF 112

BY: dpanner  
PLOTTED: 9/20/2004 10:54:46 PM

CODE:30