

**METRIC** 1. ALL DIMENSIONS ARE IN MILLIMETERS UNLESS OTHERWISE NOTED.  
2. ALL WEIGHTS ARE IN KILOGRAMS.

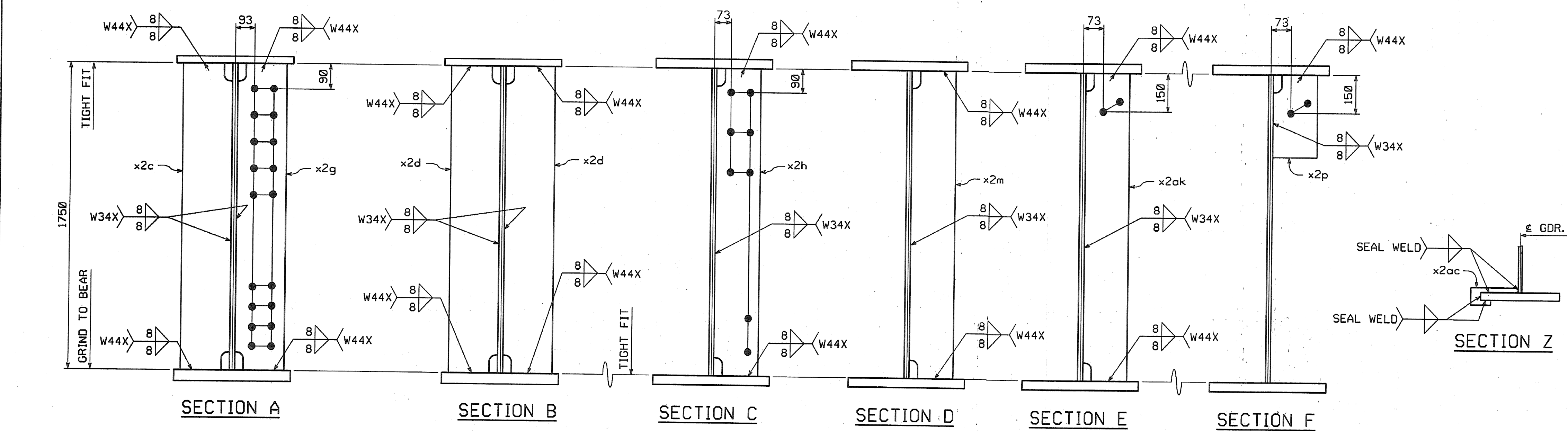
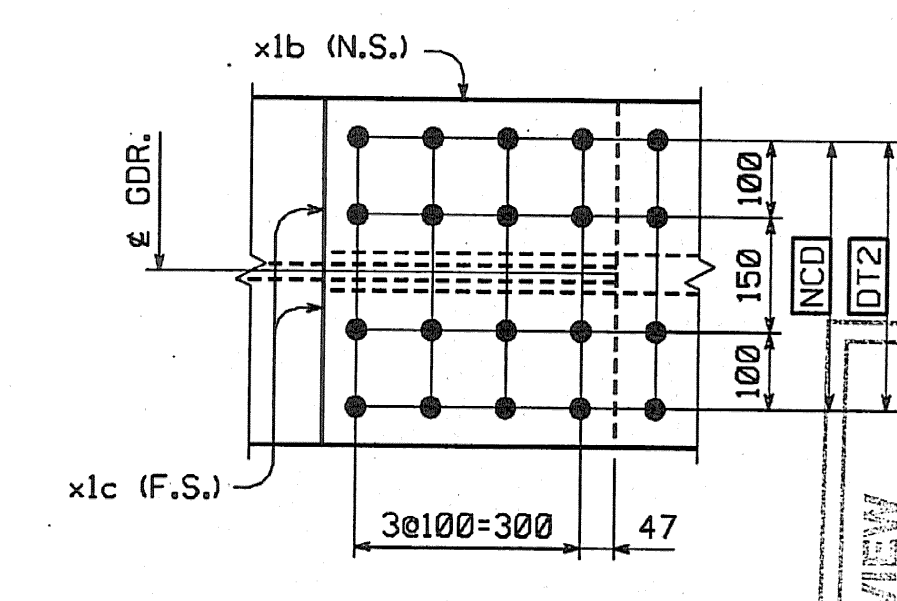
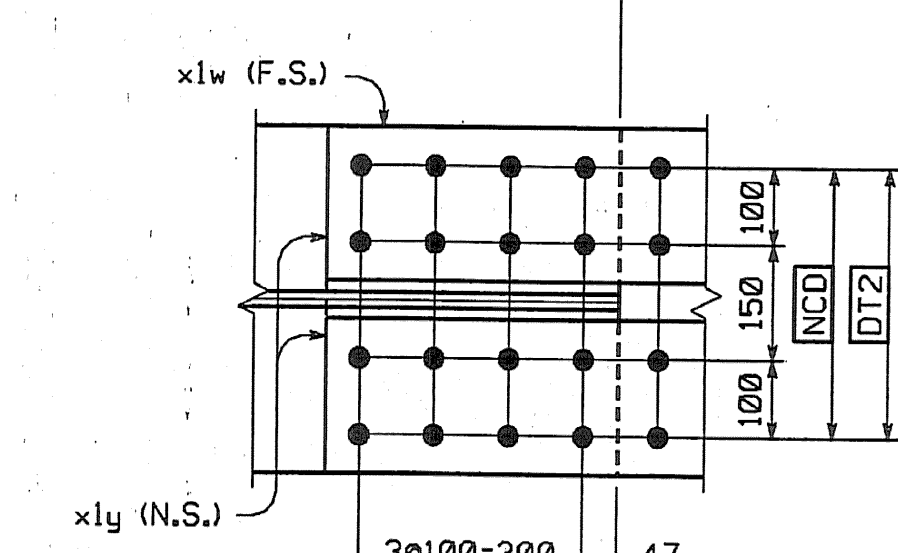
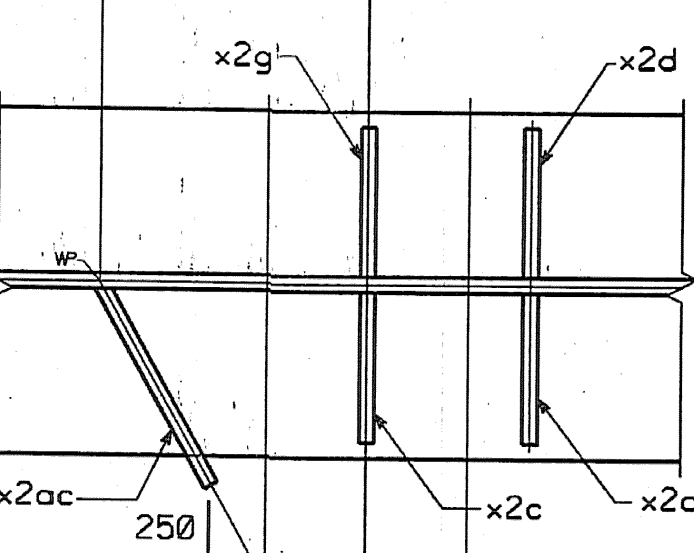
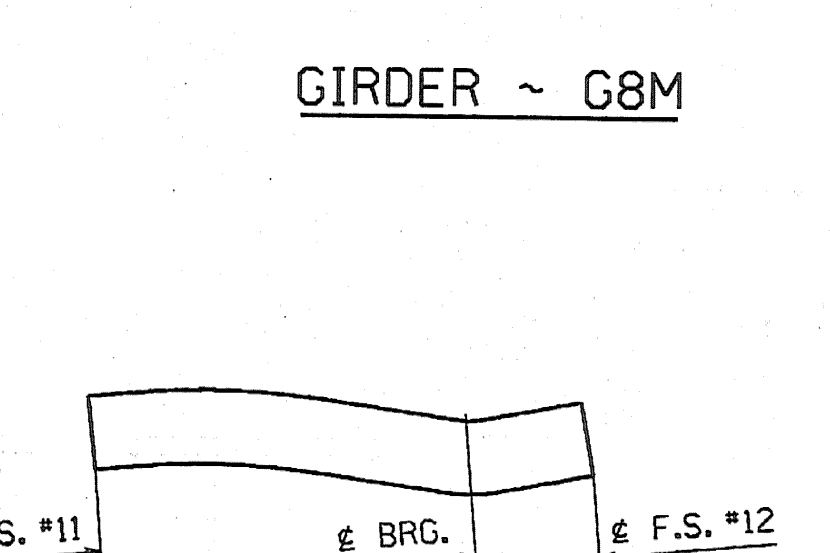
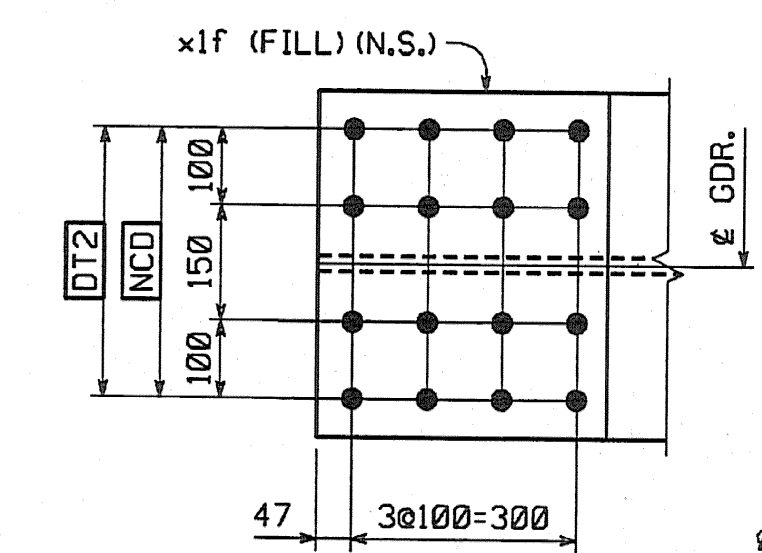
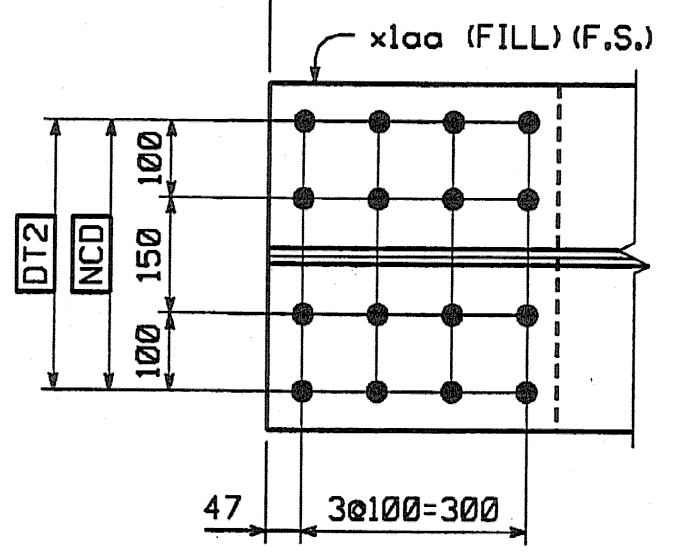
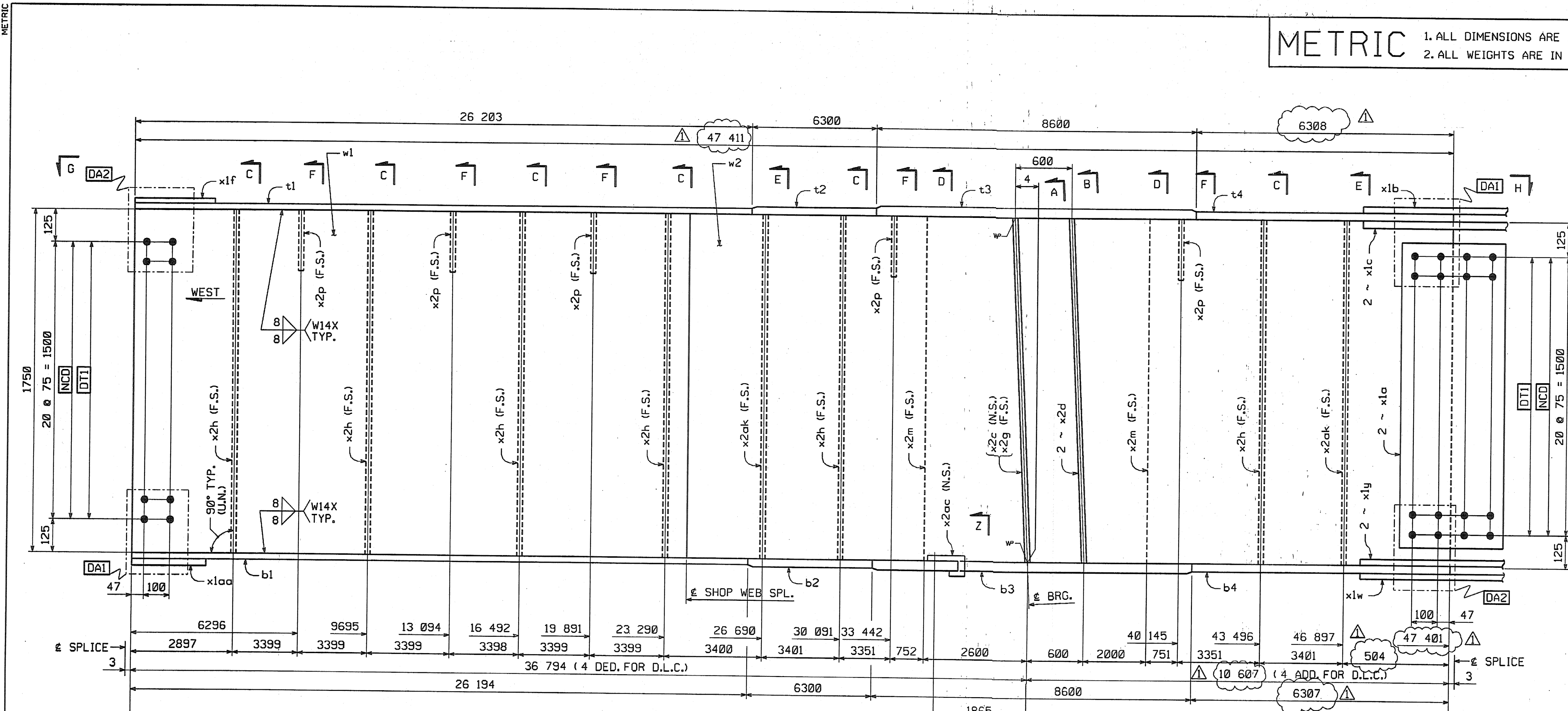
FED. ROAD DIV. NO.	STATE	FED. AID PROJ. NO.
	VT	

**BILL OF MATERIAL**

NO.	MARK	DESCRIPTION	LENGTH	REMARKS	GRP.	ITEM	SHIP. WT. KG. EA.
ONE	G8M	GIRDER					22 350
1	w1	PL 16 x 1750	23 808	(T)	3	6	5292.40
1	w2	PL 16 x 1750	23 610	(T) 47406	3	7	5188.88
1	t1	PL 22 x 450	26 203	(T)	4	19	2036.13
1	t2	PL 32 x 450	6 300	(T)	4	15	742.97
1	t3	PL 65 x 450	8 600	(T)	4	3	1974.44
1	t4	PL 32 x 450	6 308	(T)	4	14	742.97
1	b1	PL 22 x 450	26 194	(T)	4	20	2035.43
1	b2	PL 32 x 450	6 300	(T)	4	15	742.07
1	b3	PL 65 x 450	8 600	(T)	4	3	1974.44
1	b4	PL 32 x 450	6 307	(T)	4	14	742.86
2	x1a	PL 12 x 1600	400	(T)	6	1	-60.28
1	x1b	PL 14 x 450	790	(T)	6	6	39.06
2	x1c	PL 16 x 200	790	(T)	6	5	19.84
1	x1f	PL 10 x 450	392	FILL	6	7	13.85
1	x1w	PL 14 x 450	790	(T)	6	6	39.06
2	x1y	PL 16 x 200	790	(T)	6	5	19.84
1	x1aa	PL 10 x 450	392	FILL	6	7	13.85
1	x2c	PL 38 x 200	1750		7	1	104.39
2	x2d	PL 38 x 200	1750		7	1	104.39
1	x2g	PL 38 x 200	1750		7	1	104.39
6	x2h	PL 12 x 180	1750		7	4	29.67
2	x2m	PL 12 x 180	1750		7	4	29.67
5	x2p	PL 14 x 180	310		7	3	-6.13
2	x2ak	PL 12 x 180	1750		7	4	29.67
1	x2ac	PL 6 x 115	301	* V. 1 = 296503	7	5	1.63

TOTAL WEIGHT THIS SHEET: 22-344.02 kgs

\* SEE SHEET 90F112 22342.96 kg JMR 8-1-06



**SHOP NOTE**

HOLES: 1 5/8" ø  
 BOLTS: NONE  
 PAINT: NONE  
 FOR GENERAL SHOP NOTES, SEE DWG. GNI.  
 FOR WEB CAMBER DIAGRAM, SEE DWG. WC3.

**SHOP DRAWING REVIEW**

DESIGNED BY: [Signature] DATE: 9/17/04

CHECKED BY: [Signature] DATE: 9/17/04

APPROVED BY: [Signature] DATE: 9/17/04

DATE: 9/17/04

STATE CONTRACT OR REF. NO.	BRF-036-1(1)	DATE	9/17/04
CONTRACTOR	CIAMBRO CORPORATION	BY	JSA
IN CHARGE	GLIDDEN (IH)	DATE	
CONTRACT NUMBER	VT-04057-2	DRAWING NUMBER	52 OF 112

**HIGH STEEL STRUCTURES, INC.**

1770 Hempstead Road  
Lancaster, PA 17605-0008  
Phone 717/293-5211

A Division of High Industries, Inc.

GIRDER G8M

VT 78 OVER MISSISQUOI BAY, BRIDGE NO. 2  
 VT 78 STA.10+970.425 TO STA.12+059.775  
 TOWNS OF ALBURG AND SWANKIN  
 COUNTIES OF GRAND ISLE AND FRANKLIN  
 STATE OF VERMONT, AGENCY OF TRANSPORTATION

BY: dpointner  
 PLOTTED: 9/29/2004 10:54:43 PM