

METRIC

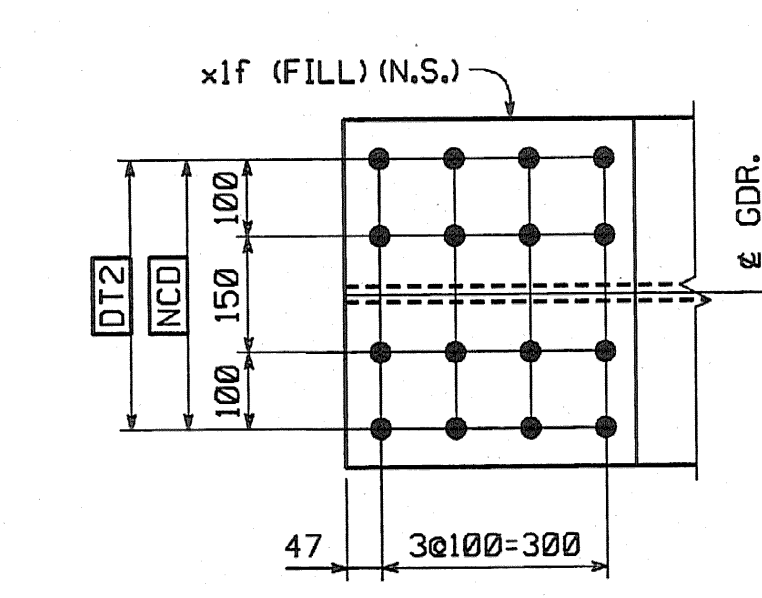
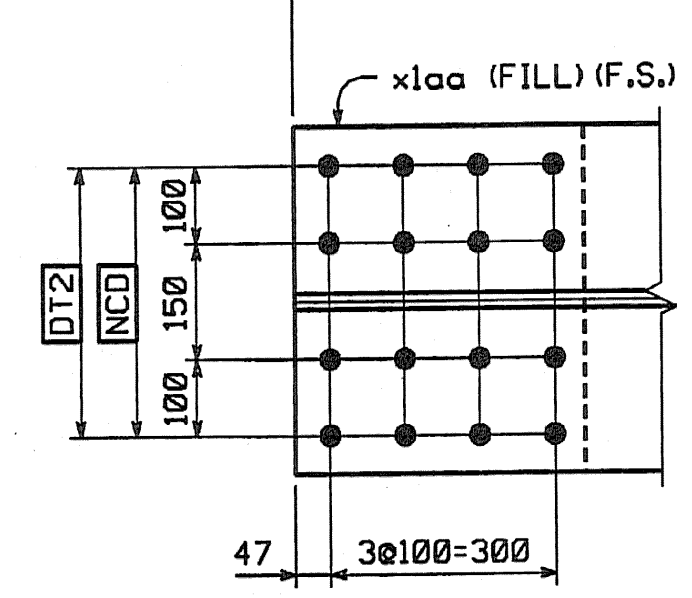
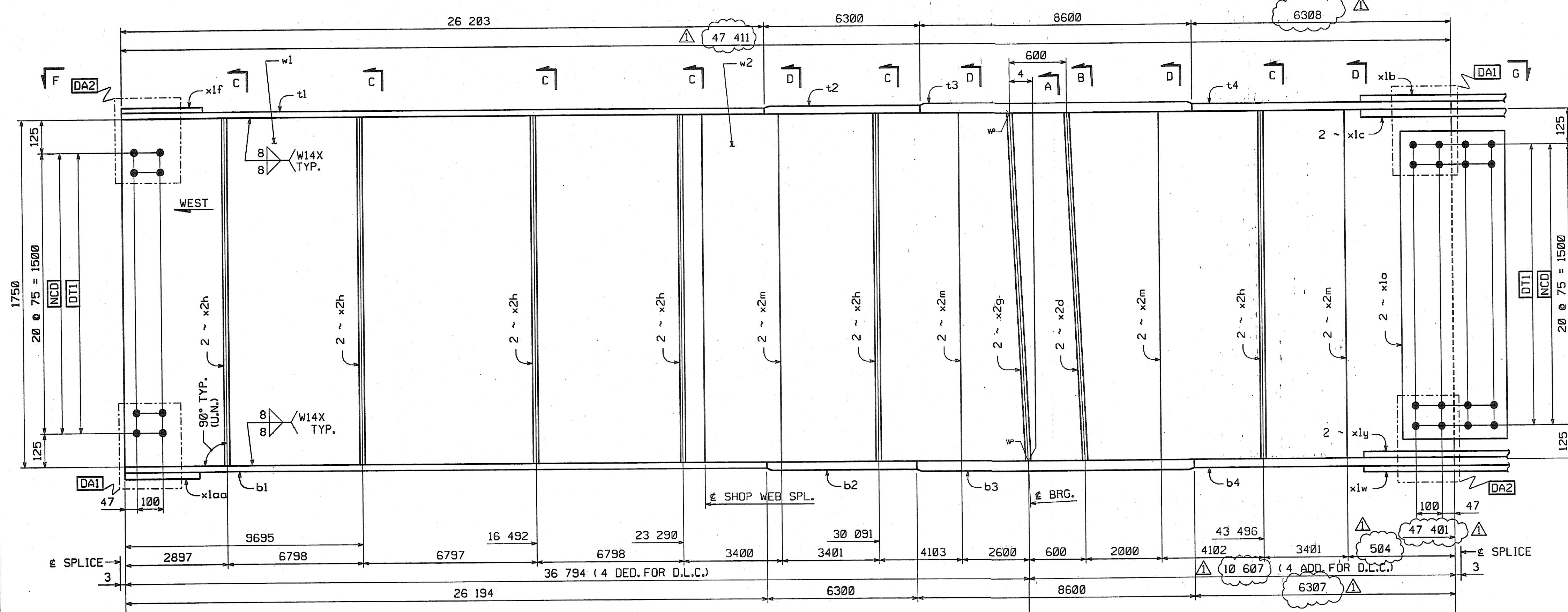
1. ALL DIMENSIONS ARE IN MILLIMETERS UNLESS OTHERWISE NOTED.
2. ALL WEIGHTS ARE IN KILOGRAMS.

FED. AID PROJ. NO.	STATE	VT
--------------------	-------	----

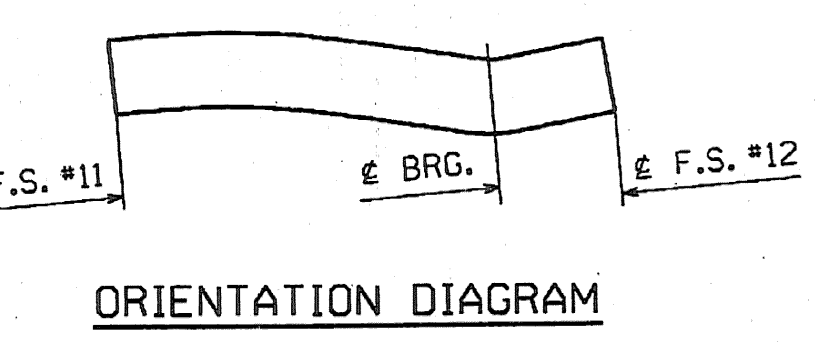
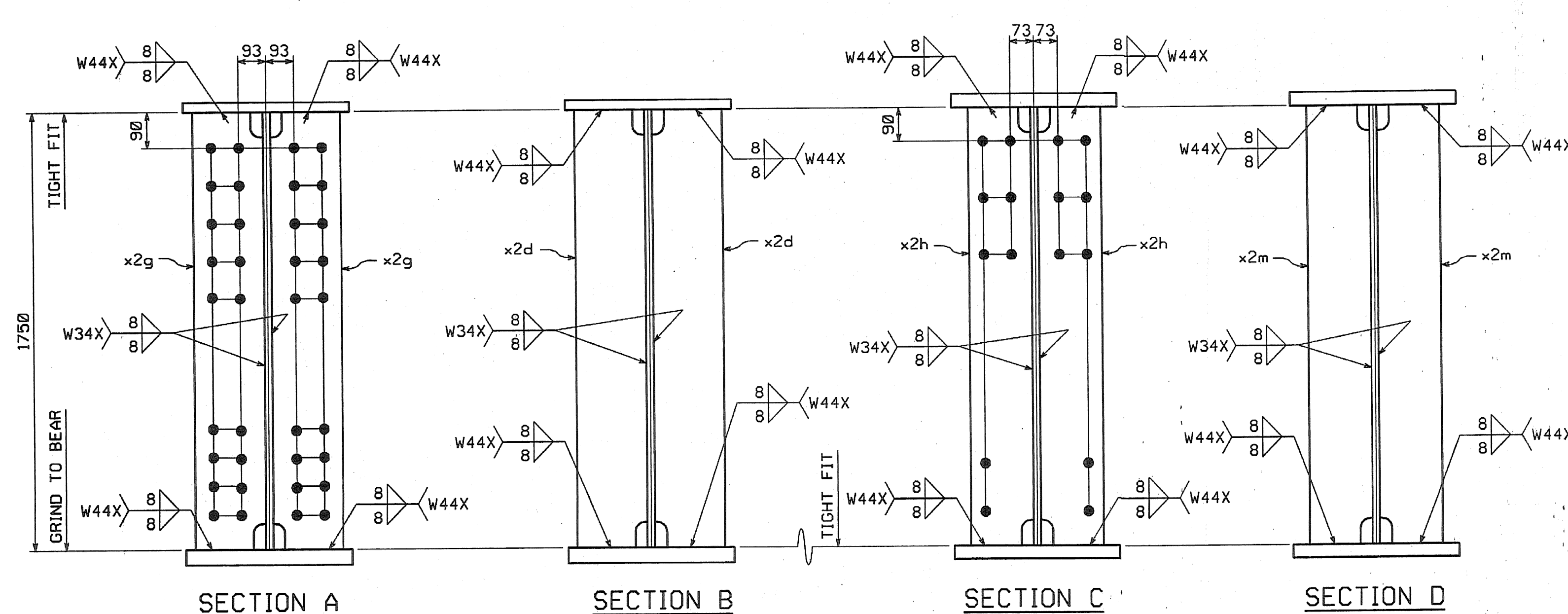
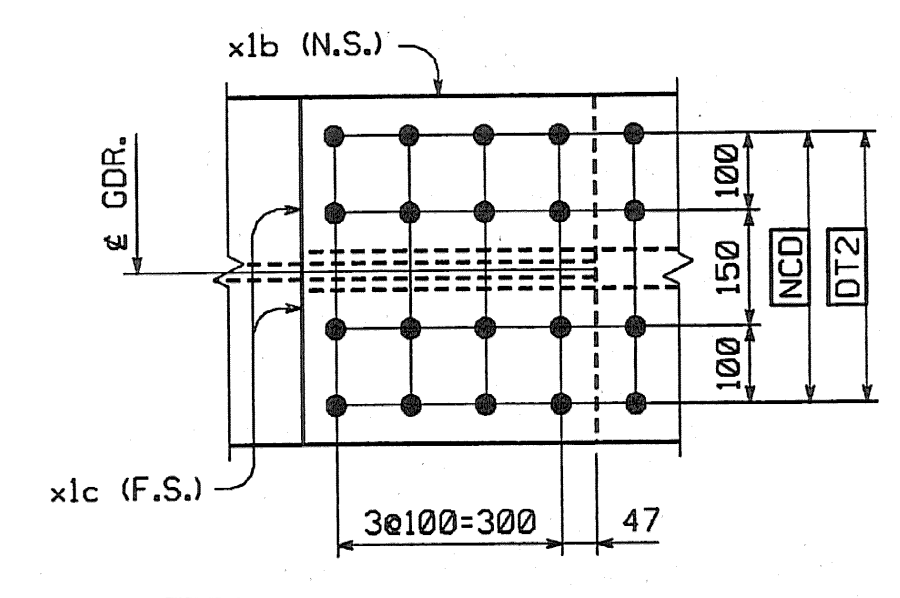
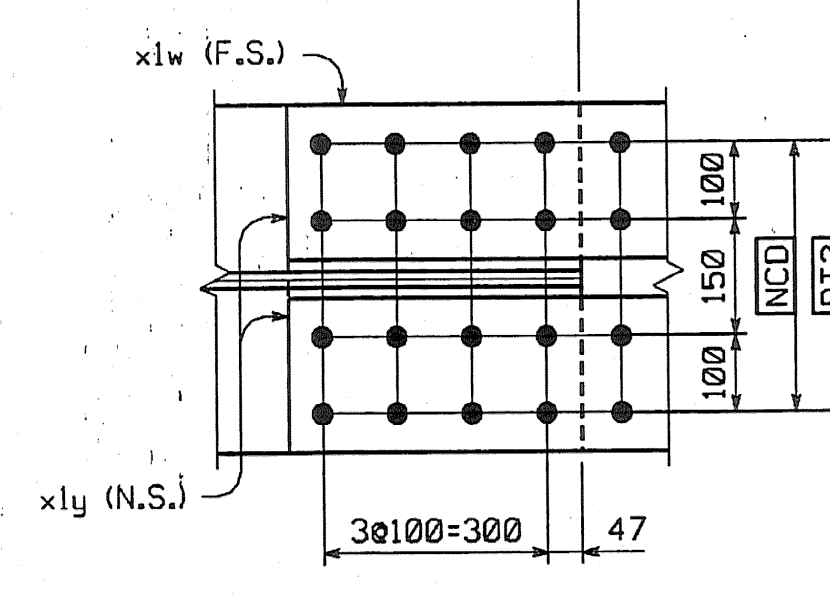
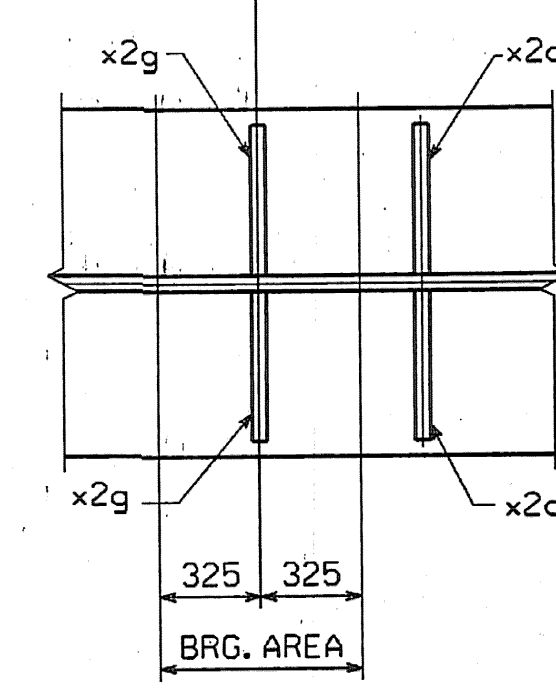
BILL OF MATERIAL

NO.	MARK	DESCRIPTION	LENGTH	REMARKS	GRP.	ITEM	SHIP. WT. KG. EA.
ONE	G6M	GIRDER					22 610
1	w1	PL 16 x 1750	23 808 (T)		3	6	5232.40
1	w2	PL 16 x 1750	23 610 (T)	47406	3	7	5188.88
1	t1	PL 22 x 450	26 203 (T)		4	19	2036.13
1	t2	PL 32 x 450	6 300 (T)		4	15	712.07
1	t3	PL 65 x 450	8 600 (T)		4	3	1974.44
1	t4	PL 32 x 450	6 308 (T)		4	14	742.97
1	b1	PL 22 x 450	26 194 (T)		4	20	2035.43
1	b2	PL 32 x 450	6 300 (T)		4	15	712.07
1	b3	PL 65 x 450	8 600 (T)		4	3	1974.44
1	b4	PL 32 x 450	6 307 (T)		4	14	742.86
2	x1a	PL 12 x 1600	400 (T)		6	1	60.28
1	x1b	PL 14 x 450	790 (T)		6	6	39.06
2	x1c	PL 16 x 200	790 (T)		6	5	19.84
1	x1f	PL 10 x 450	392 FILL		6	7	13.85
1	x1w	PL 14 x 450	790 (T)		6	6	39.06
2	x1y	PL 16 x 200	790 (T)		6	5	19.84
1	x1aa	PL 10 x 450	392 FILL		6	7	13.85
2	x2d	PL 38 x 200	1 750		7	1	104.39
2	x2g	PL 38 x 200	1 750		7	1	104.39
12	x2h	PL 12 x 180	1 750		7	4	29.67
8	x2m	PL 12 x 180	1 750		7	4	29.67

TOTAL WEIGHT THIS SHEET: 22 606.42 kgs
22 608.09 kgs



GIRDER ~ G6M



SHOP NOTE
HOLES: 15/16" #
BOLTS: NONE
PAINT: NONE
FOR GENERAL SHOP NOTES, SEE DWG. GN1.
FOR WEB CAMBER DIAGRAM, SEE DWG. WC3.

VIEW G
SHOP DRAWING REVIEW

REVIEWED AS REQUIRED BY THE CONSTRUCTION CONTRACT DOCUMENTS AND APPROVED, BUT ONLY FOR CONFORMANCE TO THE DESIGN CONCEPT OF THE WORK, AND SUBJECT TO FURTHER LIMITATIONS AND REQUIREMENTS CONTAINED IN THE CONSTRUCTION CONTRACT DOCUMENTS.

REJECTED REVISE AND RESUBMIT FURNISH AS CORRECTED

CORRECTIONS OR COMMENTS MADE ON THE SHOP DRAWINGS DURING THIS REVIEW DO NOT RELIEVE CONTRACTOR FROM COMPLIANCE WITH REQUIREMENTS OF THE DRAWINGS AND SPECIFICATIONS. THIS CHECK IS ONLY FOR REVIEW OF GENERAL CONFORMANCE WITH THE DESIGN CONCEPT OF THE PROJECT AND GENERAL COMPLIANCE WITH THE NOTIFICATION GIVEN IN THE CONTRACT DOCUMENTS. THE CONTRACTOR IS RESPONSIBLE FOR CORRECTING AND CORRELATING ALL QUANTITIES AND DIMENSIONS, SELECTING FABRICATION PROCESSES AND TECHNIQUES OF CONSTRUCTION, COORDINATING HIS WORK WITH THAT OF ALL OTHER TRADES, AND PERFORMING HIS WORK IN A SAFE AND SATISFACTORY MANNER.

Vanessa Mangano-Evans, Inc.
Engineers, Planners, and Scientists
550 Bedford Farm, Kilm Rd.
Bedford, NH 03110 603.244.0000

Reviewed By: *[Signature]*
Date: 11/10/04

NO.	REVISION	BY	DATE
1	INCREASE LENGTHS TO SATISFY REQUIREMENTS FOR LENGTH & MEAN TEMPERATURE OF 45°F.	JSA	9/17/04

STATE CONTRACT OR REF. NO. BRF-036-1(1)

CONTRACTOR CIAMBRO CORPORATION

IN CHARGE: GLIDDEN (IH) MADE BY: SSI CHK'D. BY: CS DATE: 8-20-04

CONTRACT NUMBER: VT-04057-2 DRAWING NUMBER: 50 OF 112