

METRIC

1. ALL DIMENSIONS ARE IN MILLIMETERS UNLESS OTHERWISE NOTED.  
2. ALL WEIGHTS ARE IN KILOGRAMS.

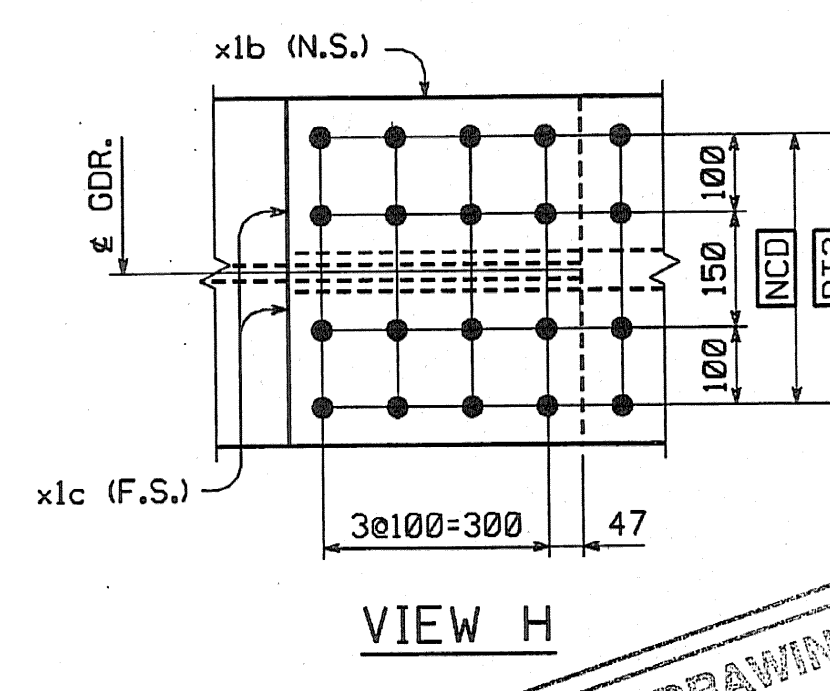
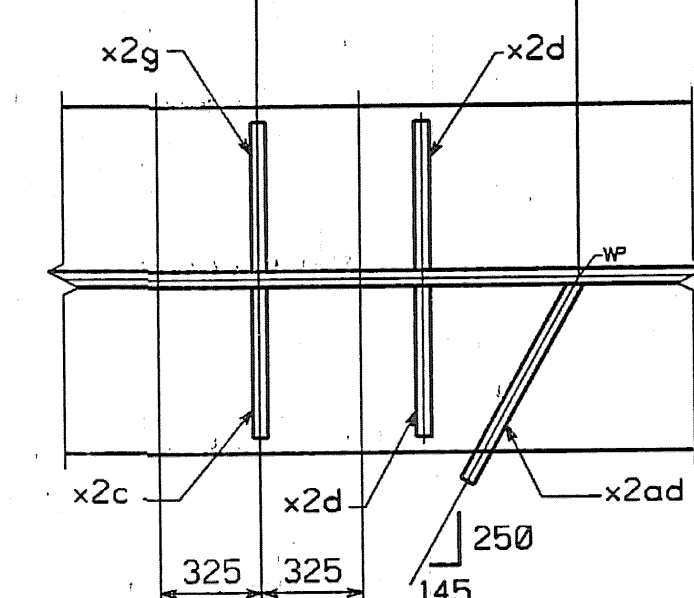
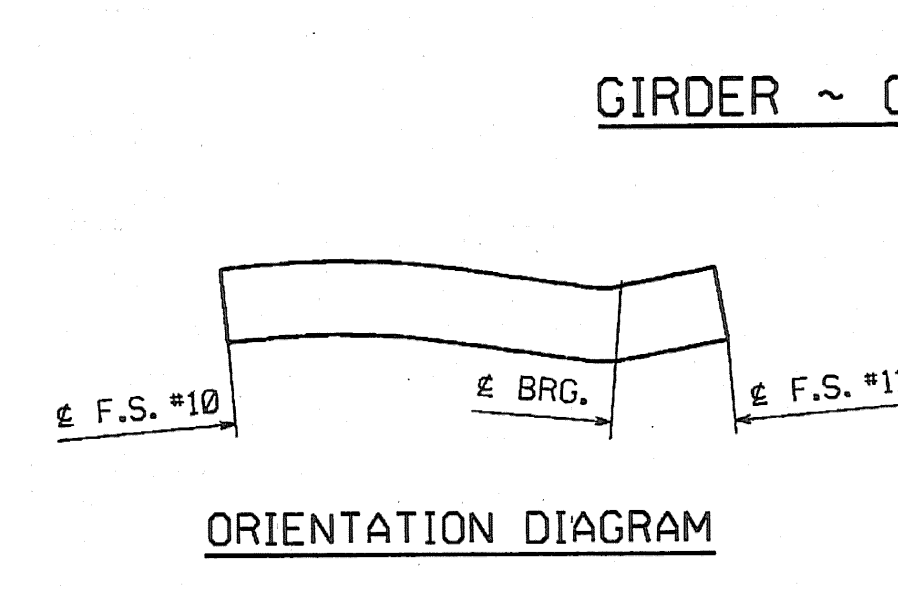
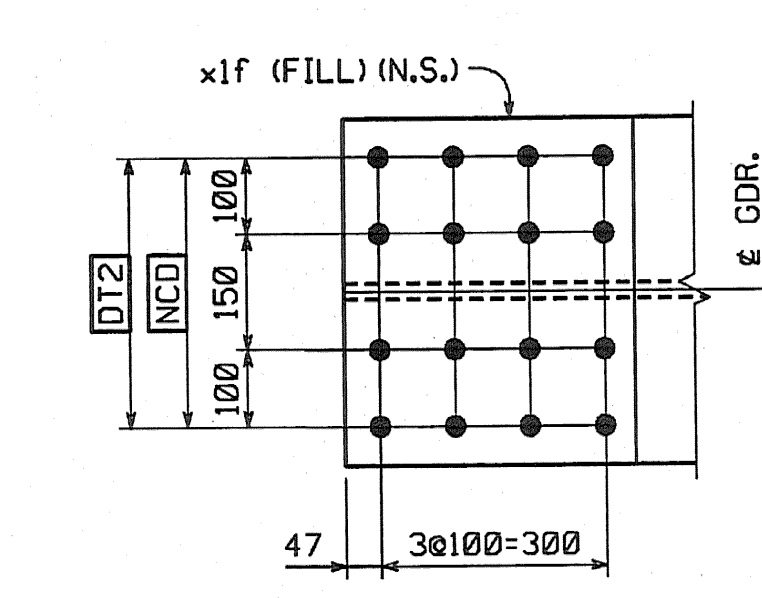
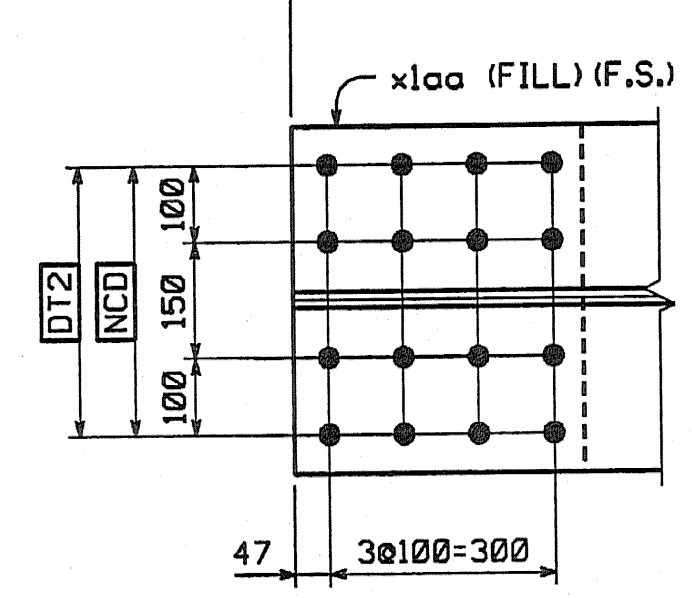
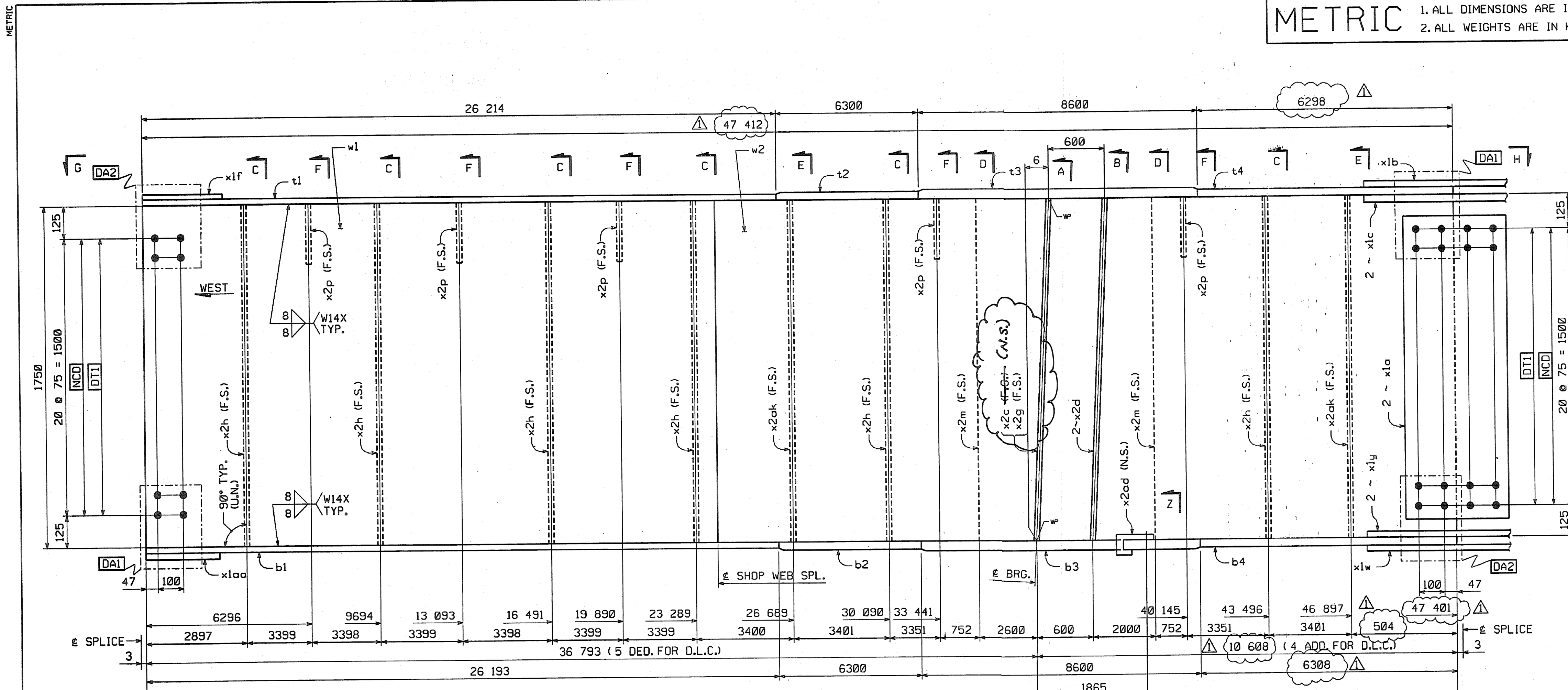
FED. ROAD DIV. NO.	STATE	FED. AID PROJ. NO.
	VT	

**BILL OF MATERIAL**

NO.	MARK	DESCRIPTION	LENGTH	REMARKS	GRP.	ITEM	SHIP WT. KG. EA.
ONE	G8L	GIRDER					22 350
1	w1	PL 16 x 1750	23 809	(T)	3	4	5232.62
1	w2	PL 16 x 1750	23 610	(T)	47 406	3	5488.88
1	t1	PL 22 x 450	26 214	(T)		4	2036.99
1	t2	PL 32 x 450	6 300	(T)		4	742.07
1	t3	PL 65 x 450	8 600	(T)		4	1974.44
1	t4	PL 32 x 450	6 298	(T)		4	744.84
1	b1	PL 22 x 450	26 193	(T)		4	2035.36
1	b2	PL 32 x 450	6 300	(T)		4	742.07
1	b3	PL 65 x 450	8 600	(T)		4	1974.44
1	b4	PL 32 x 450	6 308	(T)		4	742.97
2	x1a	PL 12 x 1600	400	(T)		6	60.28
1	x1b	PL 14 x 450	790	(T)		6	39.06
2	x1c	PL 16 x 200	790	(T)		6	49.84
1	x1d	PL 10 x 450	392	FILL		6	7 13.85
1	x1e	PL 14 x 450	790	(T)		6	39.06
2	x1f	PL 16 x 200	790	(T)		6	49.84
1	x1ga	PL 10 x 450	392	FILL		6	7 13.85
1	x2a	PL 38 x 200	1 750			7	1 404.39
2	x2b	PL 38 x 200	1 750			7	1 404.39
1	x2c	PL 38 x 200	1 750			7	1 404.39
6	x2d	PL 12 x 180	1 750			7	4 29.67
2	x2e	PL 12 x 180	1 750			7	4 29.67
5	x2f	PL 14 x 180	310			7	3 6.43
1	x2ga	PL 6 x 115	301	* VOL. = 7965002		7	5 1.63
2	x2gb	PL 12 x 180	1 750			7	4 29.67

TOTAL WEIGHT THIS SHEET: 22 344 kgs

\* SEE SHEET 90F112 22342.84 kg JMR 8-1-06



**SHOP DRAWING REVIEW**

REVIEWED AS REQUIRED BY THE CONSTRUCTION CONTRACT DOCUMENTS AND APPROVED FOR THE CONTRACTOR BY THE DESIGN PROFESSIONAL AND SUBMITTED TO THE ARCHITECT FOR REVIEW AND APPROVAL.

REVISIONS:

NO.	REVISION	BY	DATE
1	INCREASE LENGTHS TO SATISFY REQUIREMENTS FOR LENGTH @ MEAN TEMPERATURE OF 45°F.	JSA	9/17/04

DATE: 9/17/04

DESIGNED BY: JSA

CHECKED BY: JSA

DATE: 9/17/04

**SHOP NOTE**

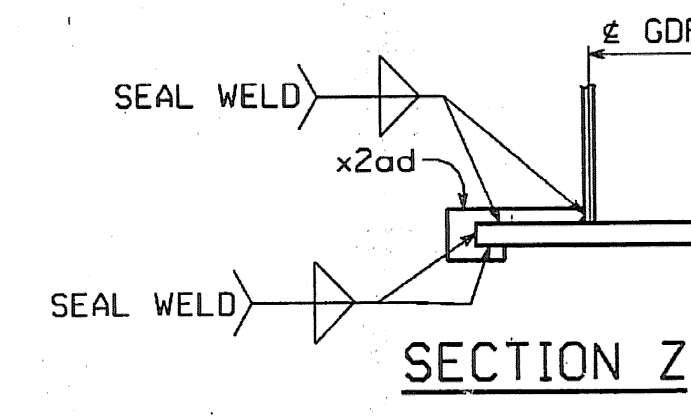
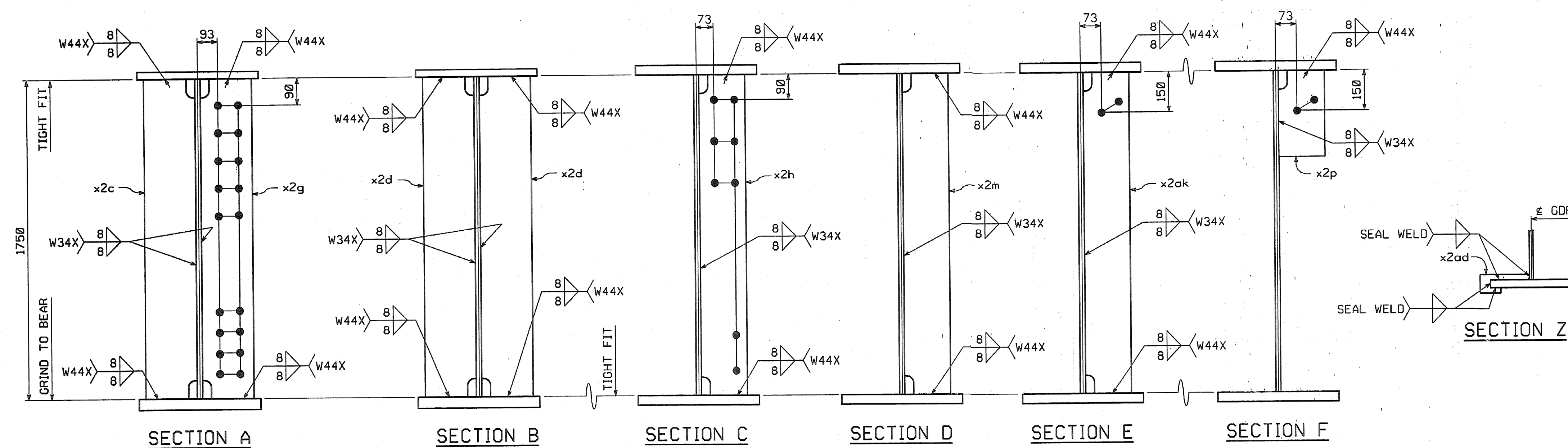
HOLES: 15/16"

BOLTS: NONE

PAINT: NONE

FOR GENERAL SHOP NOTES, SEE DWG. CNI

FOR WEB CAMBER DIAGRAM, SEE DWG. WCS



BY: dpanter

PLOTTED: 9/20/2004 1:06:31 PM

HIGH STEEL STRUCTURES, INC.		1770 Hempstead Road Lancaster, PA 17603-0008 Phone 717/299-5211	
GIRDER		G8L	
VT 78 OVER MISSISSQUOI BAY, BRIDGE NO. 2			
VT 78 STA. 10+970.425 TO STA. 12+059.775			
TOWNS OF ALBURG AND SWANTON			
COUNTIES OF GRAND ISLE AND FRANKLIN			
STATE OF VERMONT, AGENCY OF TRANSPORTATION			
STATE CONTRACT OR REF. NO.	BRF-036-1(1)	DATE	9/17/04
CONTRACTOR	CIAMBRO CORPORATION	DATE	8-20-04
IN CHARGE	GLIDDEN (IH)	DATE	8-20-04
CONTRACT NUMBER	VT-04057-2	DRAWING NUMBER	48 OF 112

CODE:30