

METRIC

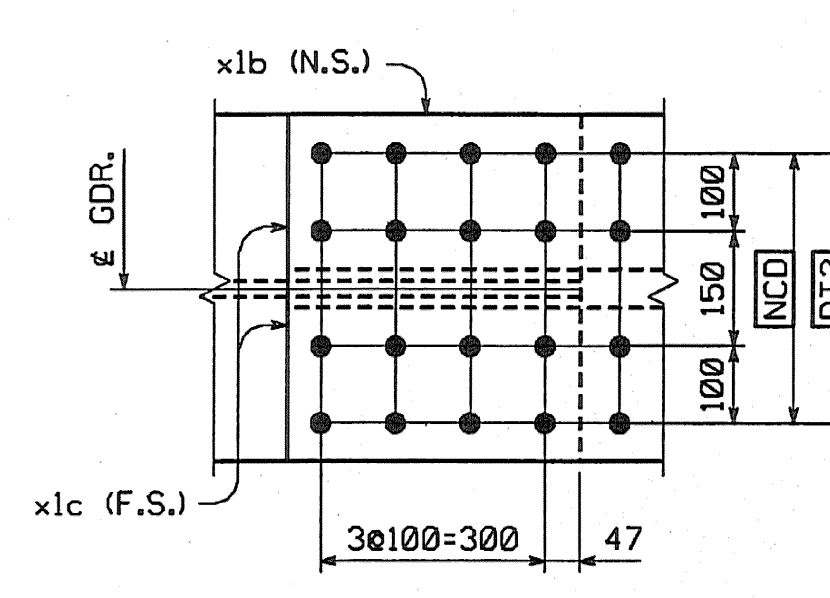
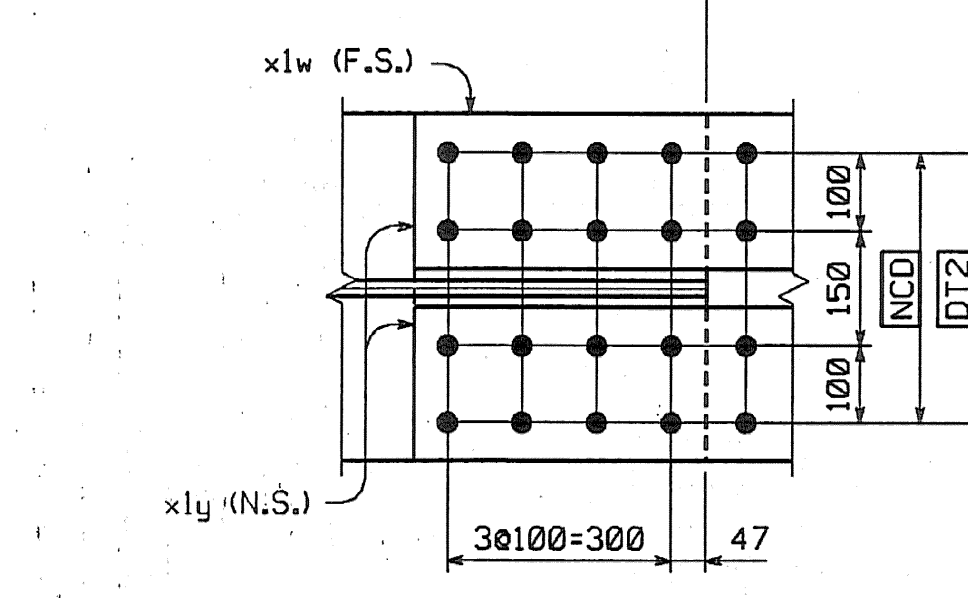
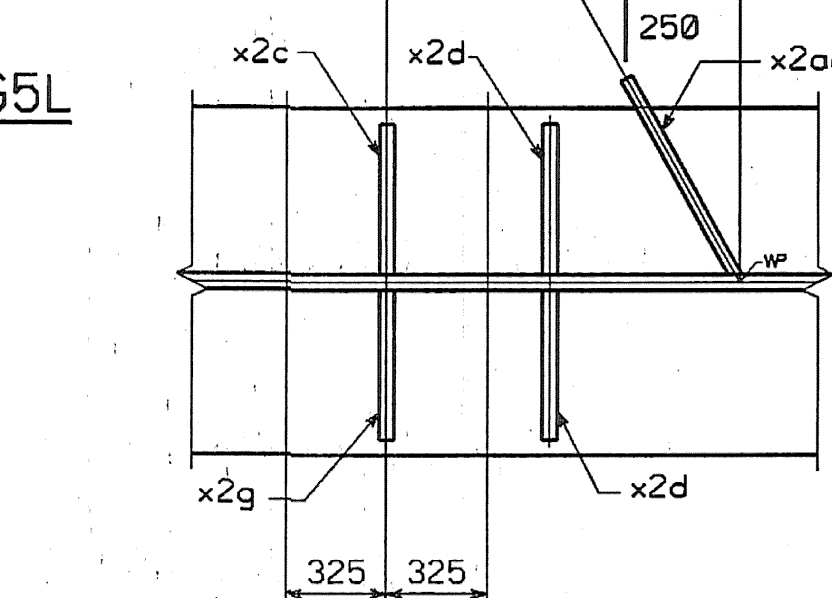
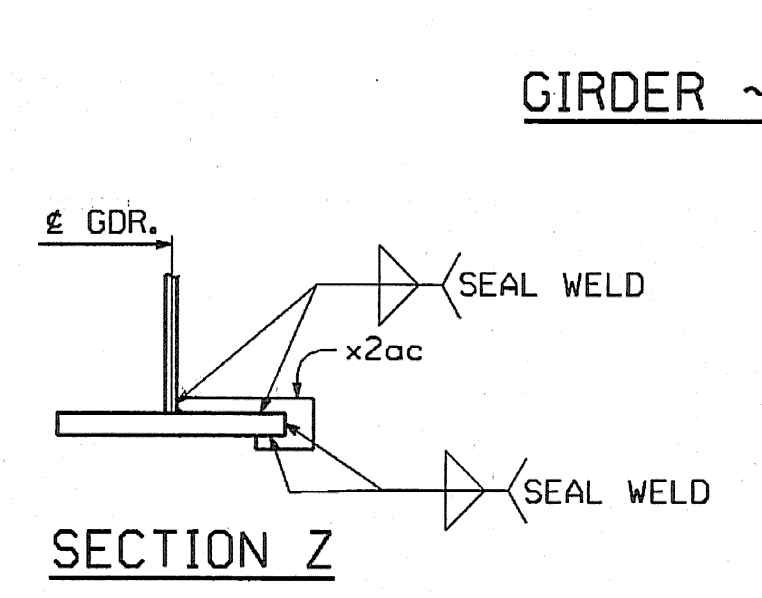
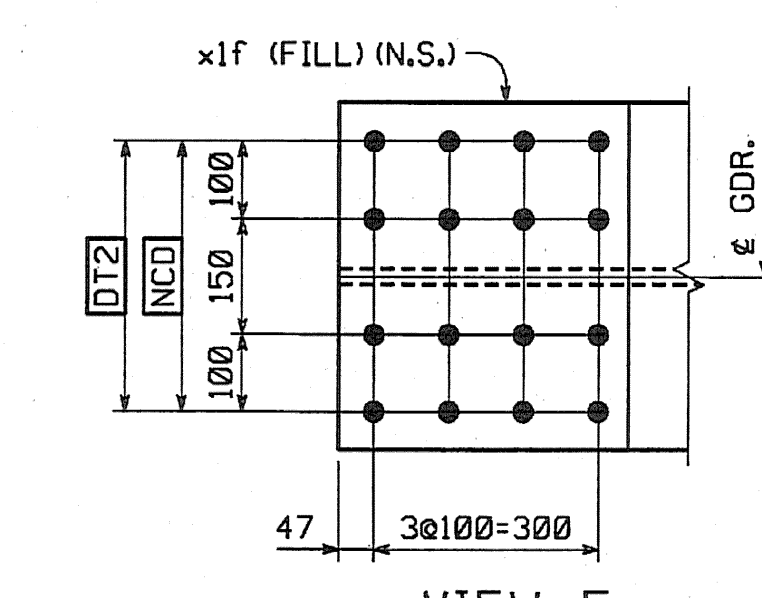
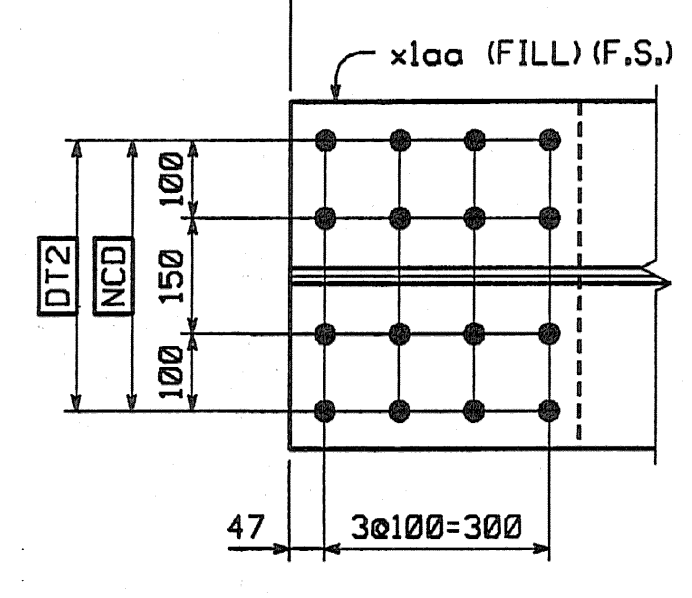
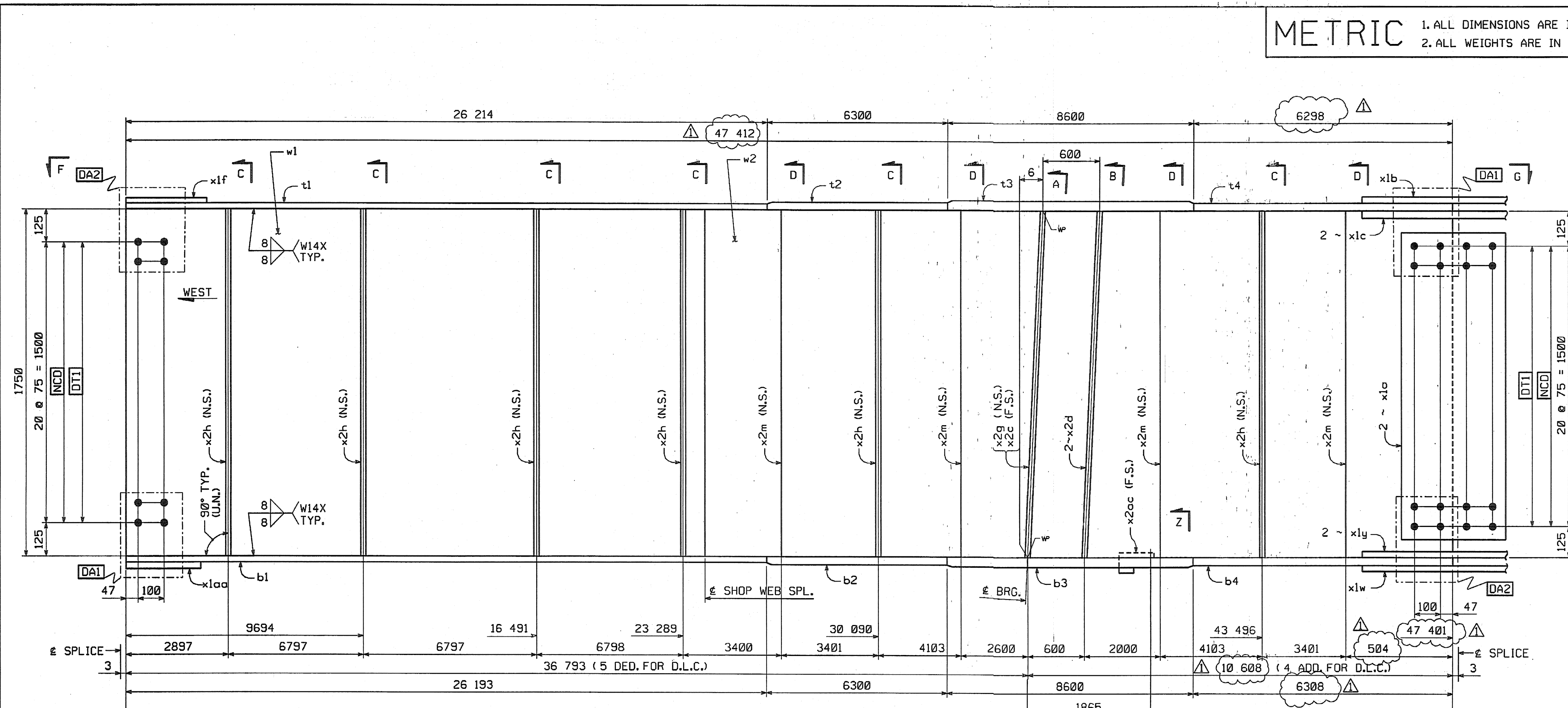
1. ALL DIMENSIONS ARE IN MILLIMETERS UNLESS OTHERWISE NOTED.
2. ALL WEIGHTS ARE IN KILOGRAMS.

FED. ROAD DIV. NO.	STATE	FED. AID PROJ. NO.
	VT	

BILL OF MATERIAL

NO.	MARK	DESCRIPTION	LENGTH	REMARKS	GRP.	ITEM	SHIP WT. KG. EA.
ONE	G5L	GIRDER					22 320
1	w1	PL 16 x 1750	23 809	(T)	3	4	5232.62
1	w2	PL 16 x 1750	23 640	(T)	4	7	5488.88
1	t1	PL 22 x 450	26 214	(T)	4	19	2036.90
1	t2	PL 32 x 450	6 300	(T)	4	15	742.07
1	t3	PL 65 x 450	8 600	(T)	4	3	1974.44
1	t4	PL 32 x 450	6 298	(T)	4	15	744.84
1	b1	PL 22 x 450	26 193	(T)	4	20	2695.86
1	b2	PL 32 x 450	6 300	(T)	4	15	742.07
1	b3	PL 65 x 450	8 600	(T)	4	3	1974.44
1	b4	PL 32 x 450	6 308	(T)	4	14	742.97
2	x1a	PL 12 x 1600	400	(T)	6	1	66.28
1	x1b	PL 14 x 450	790	(T)	6	6	39.06
2	x1c	PL 16 x 200	790	(T)	6	5	19.84
1	x1f	PL 10 x 450	392	FILL	6	7	13.85
1	x1w	PL 14 x 450	790	(T)	6	6	39.06
2	x1y	PL 16 x 200	790	(T)	6	5	19.84
1	x1aa	PL 10 x 450	392	FILL	6	7	13.85
1	x2c	PL 38 x 200	1750		7	1	404.39
2	x2d	PL 38 x 200	1750		7	1	104.39
1	x2g	PL 38 x 200	1750		7	1	104.39
6	x2h	PL 12 x 180	1750		7	4	29.67
4	x2m	PL 12 x 180	1750		7	4	29.67
1	x2ac	PL 8 x 115	301	FILL	7	5	4.69

TOTAL WEIGHT THIS SHEET: **22 313.34** kgs

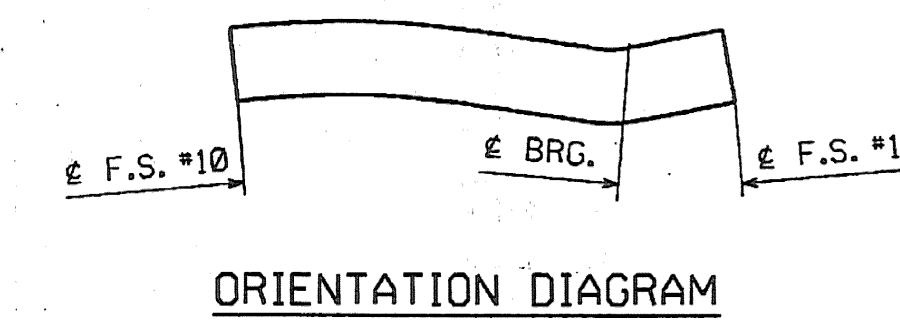


SHOP DRAWING REVIEW

REVIEWED AS REQUIRED BY THE CONSTRUCTION CONTRACT DOCUMENTS FOR CONFORMANCE WITH THE DESIGN CONCEPT OF THE DRAWING. THIS REVIEW DOES NOT GUARANTEE THE ACCURACY OF THE DRAWING OR THE QUALITY OF THE WORK. THE CONTRACTOR IS RESPONSIBLE FOR OBTAINING ALL NECESSARY PERMITS AND APPROVALS FROM THE APPROPRIATE AGENCIES.

DATE: 11/16/04

BY: [Signature]



SHOP NOTE

HOLES: 1 5/16" Ø
BOLTS: NONE
PAINT: NONE

FOR GENERAL SHOP NOTES, SEE DWG. GNI.
FOR WEB CAMBER DIAGRAM, SEE DWG. WC3.

NO.	REVISION	BY	DATE
<p>1770 Hempstead Road Lancaster, PA 17605-0008 Phone 717/299-5211</p> <p>HIGH STEEL STRUCTURES, INC.</p> <p>A Division of High Industries, Inc.</p>			
GIRDER G5L			
VT 78 OVER MISSISQUOI BAY, BRIDGE NO. 2			
VT 78 STA.10+970.425 TO STA.12+059.775			
TOWNS OF ALBURG AND SWANTON			
COUNTIES OF GRAND ISLE AND FRANKLIN			
STATE OF VERMONT, AGENCY OF TRANSPORTATION			
STATE CONTRACT OR REF. NO. BRF-036-1(1)			
CONTRACTOR: CIAMBRO CORPORATION			
IN CHARGE: GLIDDEN (IH) MADE BY: ERS CHK'D. BY: CS DATE: 8-20-04			
CONTRACT NUMBER: VT-04057-2 DRAWING NUMBER: 45 OF 112			