

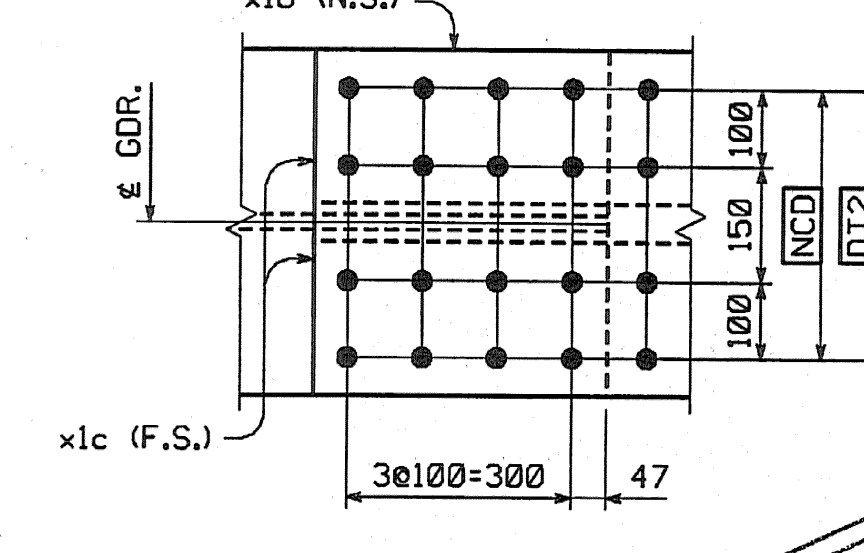
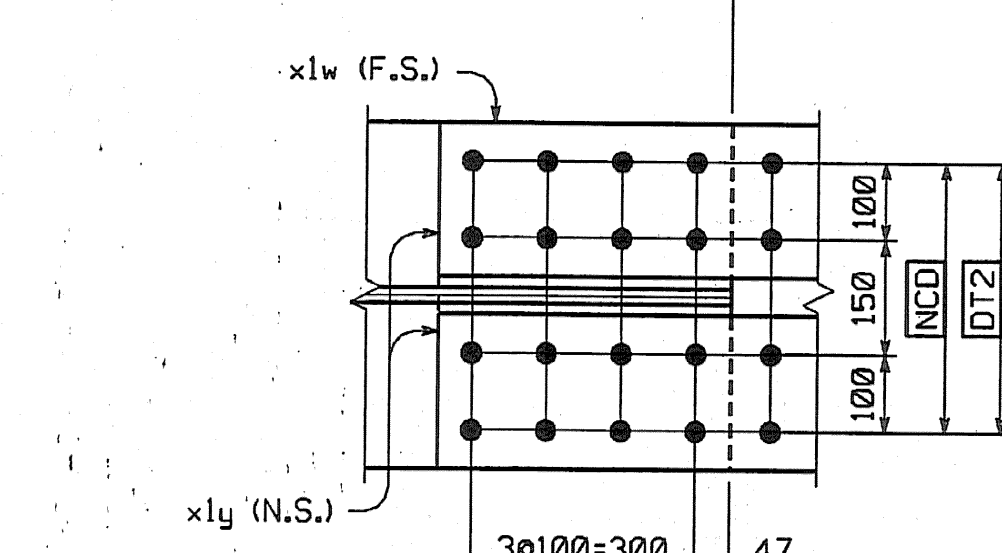
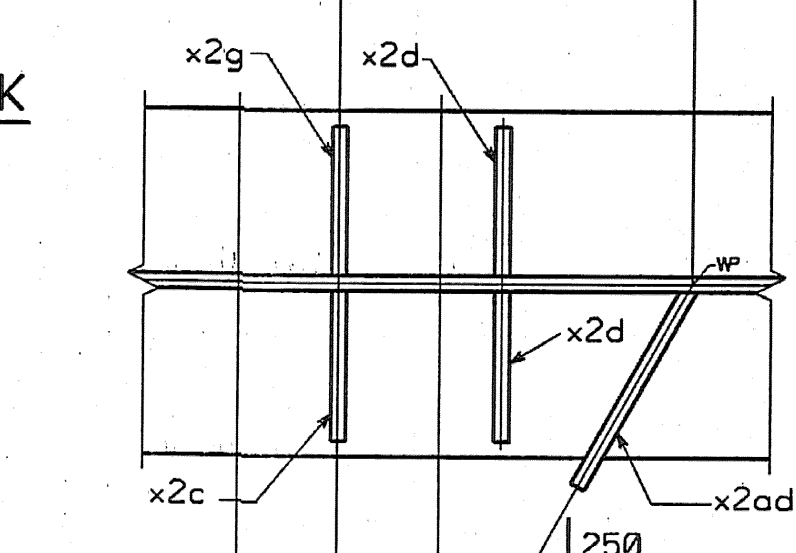
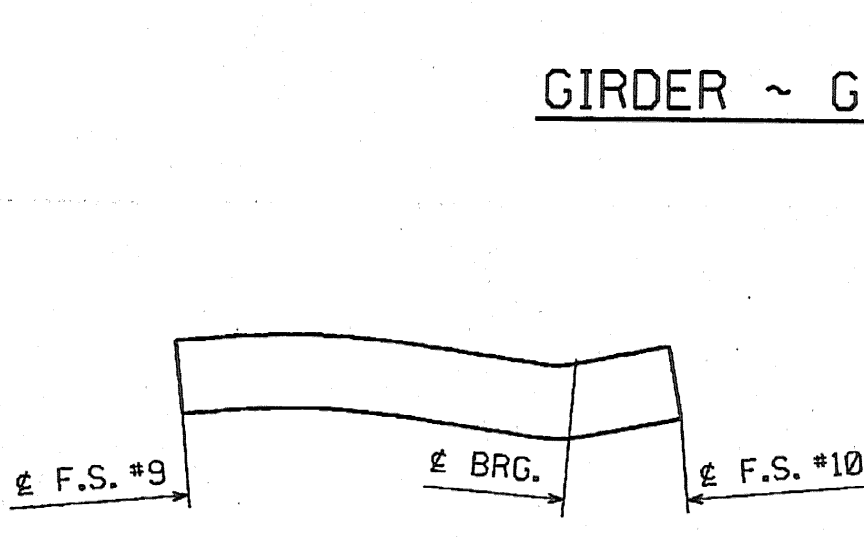
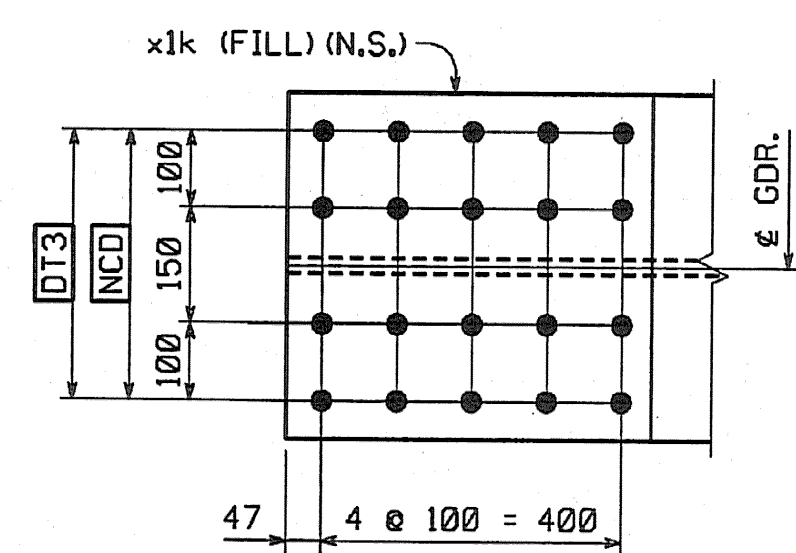
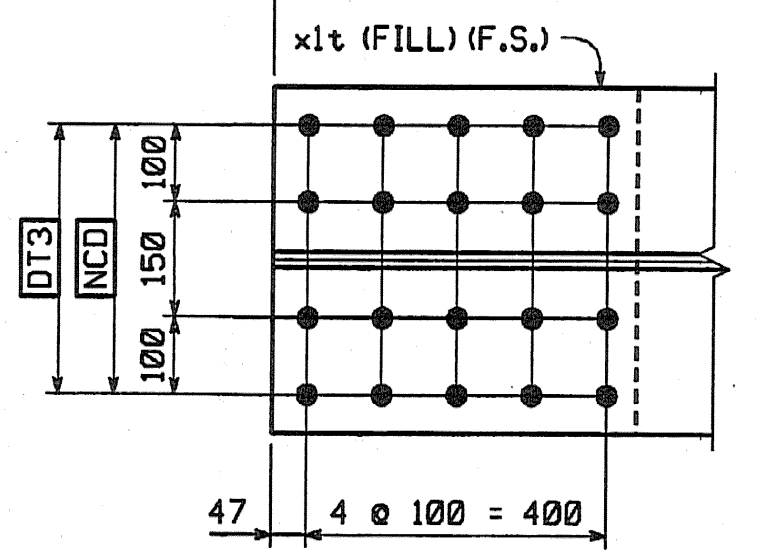
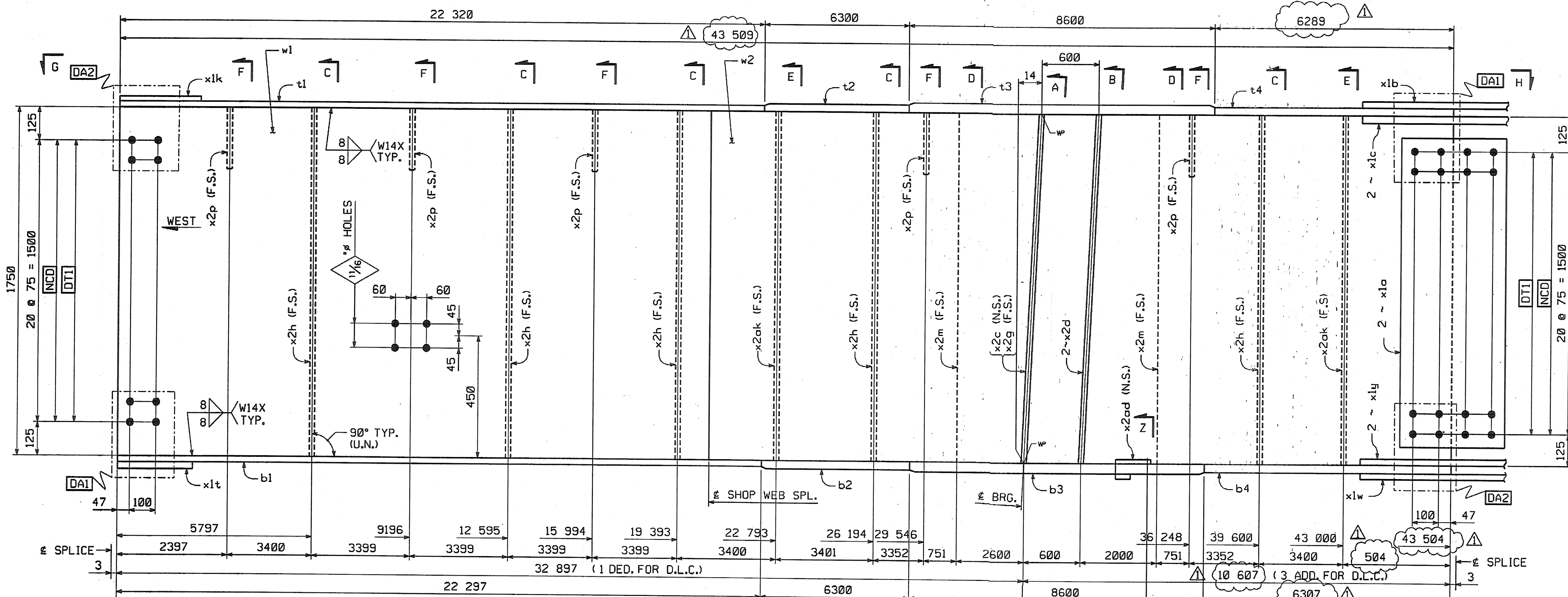
METRIC

METRIC 1. ALL DIMENSIONS ARE IN MILLIMETERS UNLESS OTHERWISE NOTED.
2. ALL WEIGHTS ARE IN KILOGRAMS.

FED. ROAD DIV. NO.	STATE	FED. AID PROJ. NO.
	VT	

BILL OF MATERIAL

NO.	MARK	DESCRIPTION	LENGTH	REMARKS	GRP.	ITEM	SHIP. WT. KG. EA.
ONE	G8K	GIRDER					20 890
1	w1	PL 16 x 1750	19 908	(T)	3	9	4374.84
1	w2	PL 16 x 1750	29 608	(T)	4	7	5189.44
1	t1	PL 22 x 450	22 320	(T)	4	23	4794.40
1	t2	PL 32 x 450	6 300	(T)	4	15	712.07
1	t3	PL 65 x 450	8 600	(T)	4	3	1974.44
1	t4	PL 32 x 450	6 289	(T)	4	15	712.07
1	b1	PL 22 x 450	22 297	(T)	4	24	4732.61
1	b2	PL 32 x 450	6 300	(T)	4	15	712.07
1	b3	PL 65 x 450	8 600	(T)	4	3	1974.44
1	b4	PL 32 x 450	6 307	(T)	4	14	712.88
2	x1a	PL 12 x 1600	400	(T)	6	1	-60.28
1	x1b	PL 14 x 450	790	(T)	6	6	39.06
2	x1c	PL 16 x 200	790	(T)	6	5	-49.84
1	x1k	PL 18 x 450	492	FILL	6	4	31.28
1	x1t	PL 18 x 450	492	FILL	6	4	31.28
1	x1w	PL 14 x 450	790	(T)	6	6	-39.06
2	x1y	PL 16 x 200	790	(T)	6	5	-49.84
1	x2c	PL 38 x 200	1750		7	1	-104.39
2	x2d	PL 38 x 200	1750		7	1	104.39
1	x2g	PL 38 x 200	1750		7	1	-104.39
5	x2h	PL 12 x 180	1750		7	4	-29.67
2	x2m	PL 12 x 180	1750		7	4	-29.67
5	x2p	PL 14 x 180	310		7	3	-6.13
2	x2ak	PL 12 x 180	1750		7	4	29.67
1	x2ad	PL 6 x 146	301	#1 = 79650	7	5	1.63
TOTAL WEIGHT THIS SHEET:							20884.51 kgs



SHOP NOTE

REVIEWED AS REQUIRED BY THE CONSTRUCTION CONTRACT DOCUMENTS AND APPROVED, BUT NOT A SUBSTITUTE FOR THE DESIGN CONTRACTOR'S RESPONSIBILITY FOR THE WORK, AND SUBJECT TO ANY OTHER CONTRACT DOCUMENTS.

HOLES: 1/16" DIA. (SEE DWG. C/N)

BOLTS: NONE

PAINT: NONE

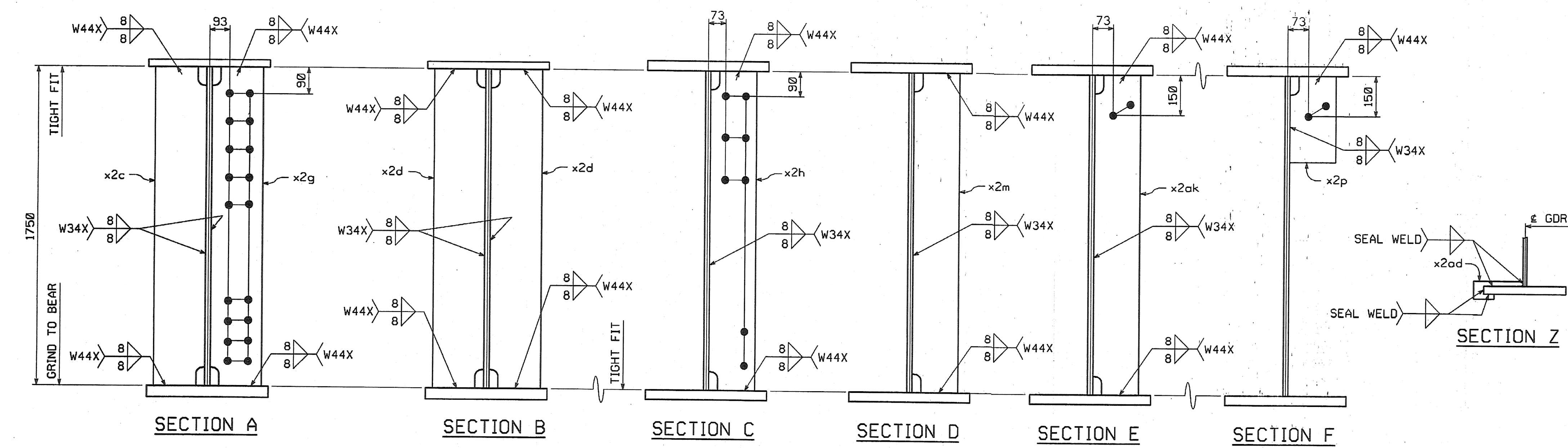
FOR GENERAL SHOP NOTES SEE DWG. C/N

FOR WEB CAMBER DIAGRAM SEE DWG. C/N

SHOP DRAWING REVIEW

DATE: 11/10/04

Job Number: 5591



NO.	REVISION	BY	DATE
1	INCREASE LENGTHS TO SATISFY REQUIREMENTS FOR LENGTH @ MEAN TEMPERATURE OF 45°F.	JSA	9/17/04
<p>HIGH STEEL STRUCTURES, INC.</p> <p>1770 Hempstead Road Lancaster, PA 17605-0008 Phone 717/299-5211</p> <p>A Division of High Industries, Inc.</p>			
GIRDER		G8K	
VT 78 OVER MISSISQUOI BAY, BRIDGE NO. 2			
VT 78 STA. 10+970.425 TO STA. 12+059.775			
TOWNS OF ALBURG AND SWANTON			
COUNTIES OF GRAND ISLE AND FRANKLIN			
STATE OF VERMONT, AGENCY OF TRANSPORTATION			
STATE CONTRACT OR REF. NO. BRF-036-1(1)			
CONTRACTOR CIAMBRO CORPORATION			
IN CHARGE: GLIDDEN (IH)	MADE BY: ERS	CHK'D BY: CS	DATE: 8-20-04
CONTRACT NUMBER: VT-04057-2		DRAWING NUMBER: 44 OF 112	

PLOTTED: 9/20/2004 10:50:04 PM

CODE:30