

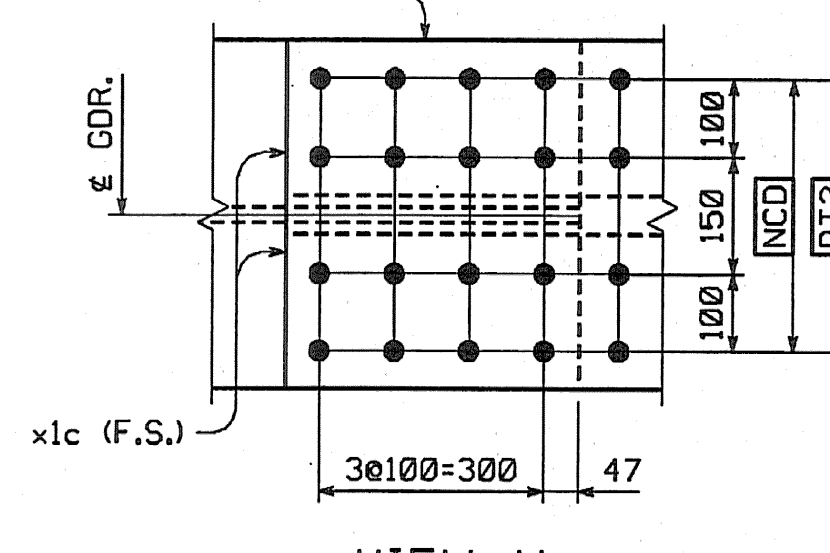
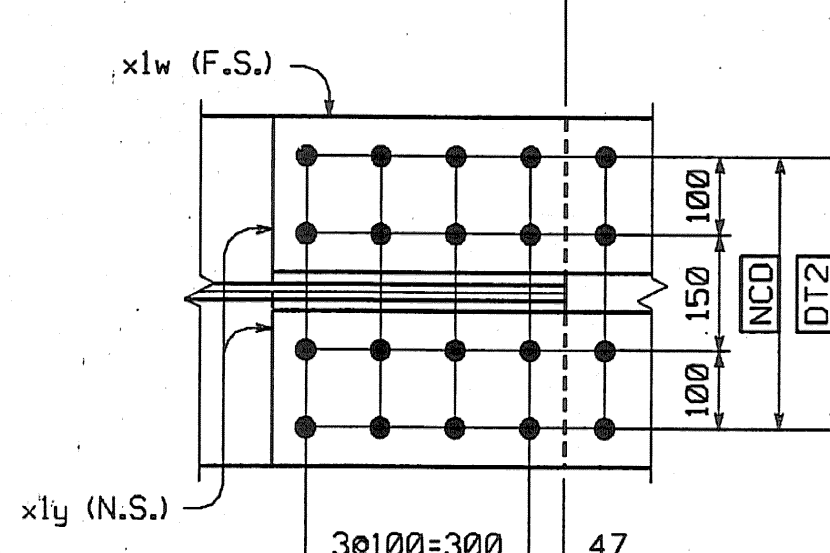
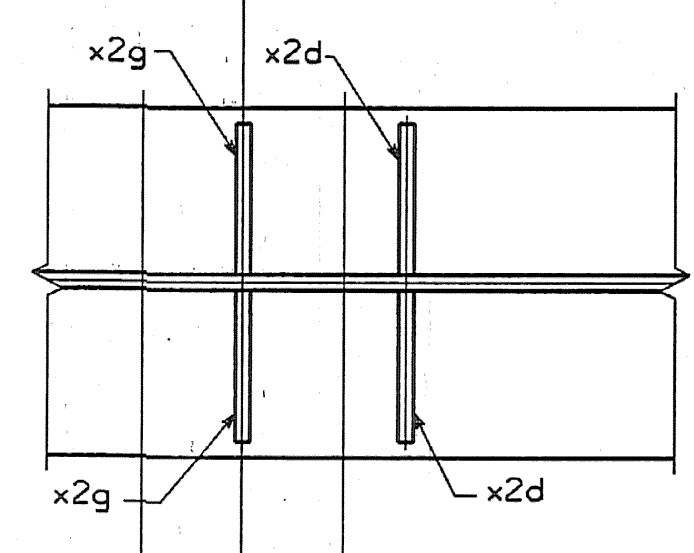
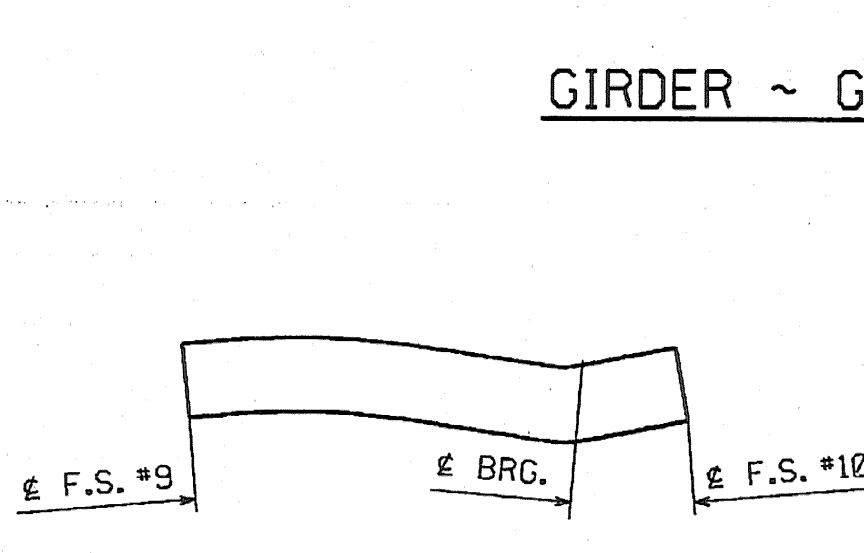
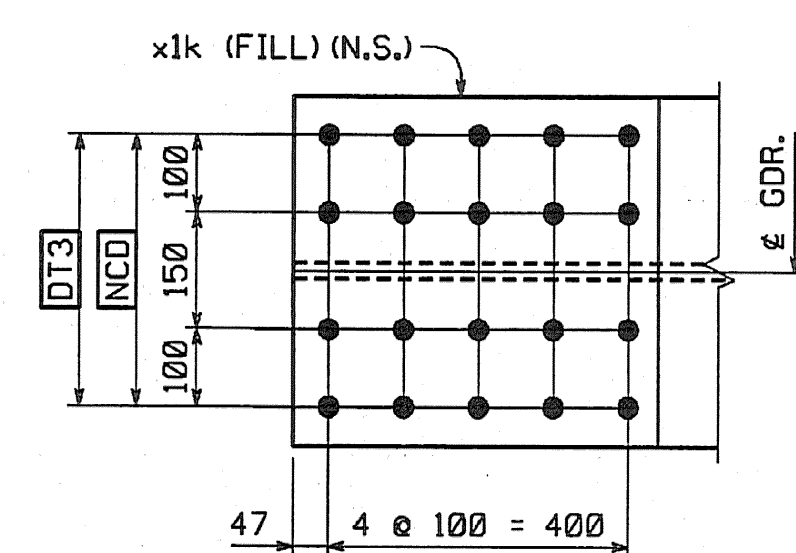
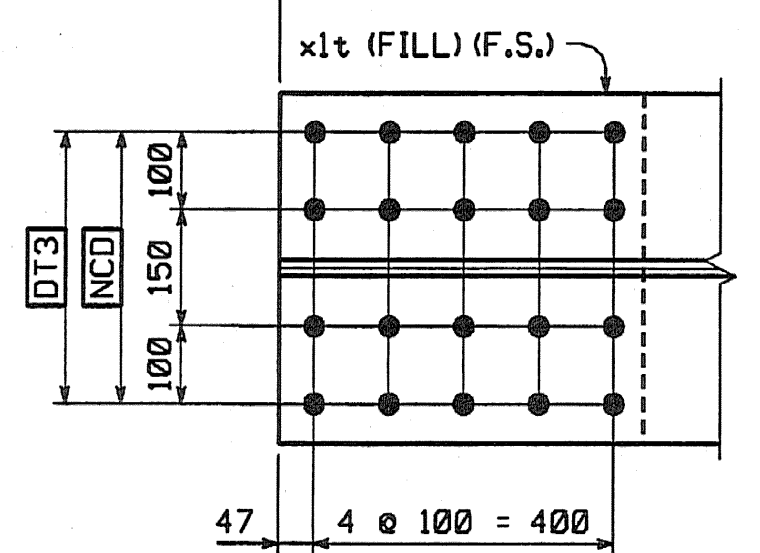
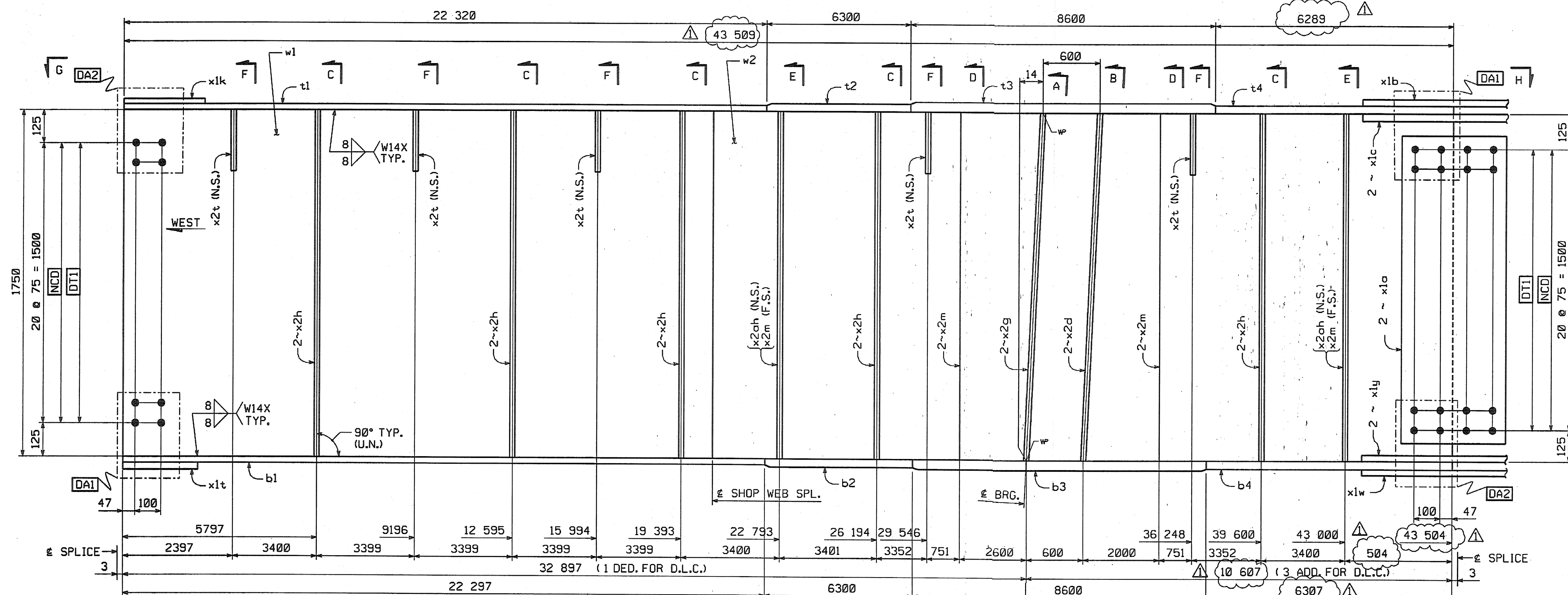
METRIC

1. ALL DIMENSIONS ARE IN MILLIMETERS UNLESS OTHERWISE NOTED.
2. ALL WEIGHTS ARE IN KILOGRAMS.

FED. ROAD DIV. NO.	STATE	FED. AID PROJ. NO.
	VT	

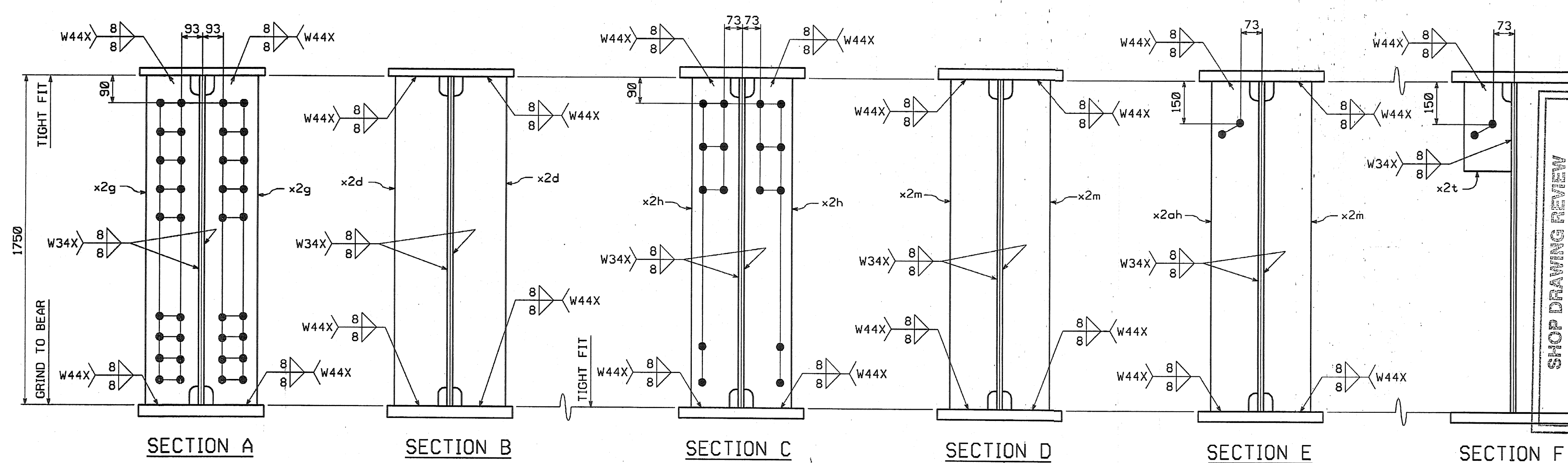
BILL OF MATERIAL

NO.	MARK	DESCRIPTION	LENGTH	REMARKS	GRP.	ITEM	SHIP WT. KG. EA.
ONE	G7K	GIRDER					21 150
1	w1	PL 16 x 1750	19 906	(T)	3	9	4374.84
1	w2	PL 16 x 1750	23 608	(T) 43506	3	7	5188.44
1	t1	PL 22 x 450	22 320	(T)	4	23	1734.40
1	t2	PL 32 x 450	6 300	(T)	4	15	712.07
1	t3	PL 65 x 450	8 600	(T)	4	3	1974.44
1	t4	PL 32 x 450	6 289	(T)	4	15	740.83
1	b1	PL 22 x 450	22 297	(T)	4	24	1732.61
1	b2	PL 32 x 450	6 300	(T)	4	15	742.07
1	b3	PL 65 x 450	8 600	(T)	4	3	1874.44
1	b4	PL 32 x 450	6 307	(T)	4	14	742.86
2	x1a	PL 12 x 1600	400	(T)	6	1	-60.28
1	x1b	PL 14 x 450	790	(T)	6	6	-39.06
2	x1c	PL 16 x 200	790	(T)	6	5	19.84
1	x1k	PL 18 x 450	492	FILL	6	4	31.28
1	x1t	PL 18 x 450	492	FILL	6	4	31.28
1	x1w	PL 14 x 450	790	(T)	6	6	39.06
2	x1y	PL 16 x 200	790	(T)	6	5	19.84
2	x2d	PL 38 x 200	1750		7	1	-104.39
2	x2g	PL 38 x 200	1750		7	1	104.39
10	x2h	PL 12 x 180	1750		7	4	-29.67
6	x2m	PL 12 x 180	1750		7	4	-29.67
5	x2t	PL 14 x 180	310		7	3	-6.43
2	x2ah	PL 12 x 180	1750		7	4	-29.67
TOTAL WEIGHT THIS SHEET:							-24449.81 kgs



SHOP NOTE

HOLES: 1 5/16"
BOLTS: NONE
PAINT: NONE
FOR GENERAL SHOP NOTES, SEE DWG. GNL.
FOR WEB CAMBER DIAGRAM, SEE DWG. WC3.



SHOP DRAWING REVIEW

REVIEWED AS REQUIRED BY THE CONTRACT DOCUMENTS AND APPROVED FOR THE CONTRACTOR BY THE CONTRACTOR'S QUALITY CONTROL PERSONNEL. THIS REVIEW IS LIMITED TO THE DIMENSIONS AND MATERIALS SHOWN ON THIS DRAWING AND DOES NOT CONSTITUTE A GUARANTEE OF THE ACCURACY OF THE INFORMATION PROVIDED BY THE CONTRACTOR. THE CONTRACTOR IS RESPONSIBLE FOR THE ACCURACY OF THE INFORMATION PROVIDED BY THE CONTRACTOR AND FOR OBTAINING ALL NECESSARY PERMITS AND APPROVALS FROM THE APPROPRIATE AGENCIES AND AUTHORITIES. THE CONTRACTOR SHALL BE RESPONSIBLE FOR OBTAINING ALL NECESSARY PERMITS AND APPROVALS FROM THE APPROPRIATE AGENCIES AND AUTHORITIES. THE CONTRACTOR SHALL BE RESPONSIBLE FOR OBTAINING ALL NECESSARY PERMITS AND APPROVALS FROM THE APPROPRIATE AGENCIES AND AUTHORITIES.

Job Number: 50A.11
Reviewed By: [Signature]
Date: 8/17/04

INCREASE LENGTHS TO SATISFY REQUIREMENTS FOR LENGTH & MEAN TEMPERATURE OF 45°F.	JSA	9/17/04
REVISION	BY	DATE
GIRDER G7K VT 78 OVER MISSISSQUOI BAY, BRIDGE NO. 2 VT 78 STA.10+970.425 TO STA.12+059.775 TOWNS OF ALBURG AND SWANTON COUNTIES OF GRAND ISLE AND FRANKLIN STATE OF VERMONT, AGENCY OF TRANSPORTATION		
STATE CONTRACT OR REF. NO.	BRF-036-1(1)	
CONTRACTOR	CIANBRO CORPORATION	
IN CHARGE:	GLIDDEN (IH)	MADE BY: ERS
CONTRACT NUMBER:	VT-04057-2	DRAWING NUMBER: 43 OF 112

BY: dpointner
PLOTTED: 9/20/2004 1:05:00 PM

CODE:30