

METRIC

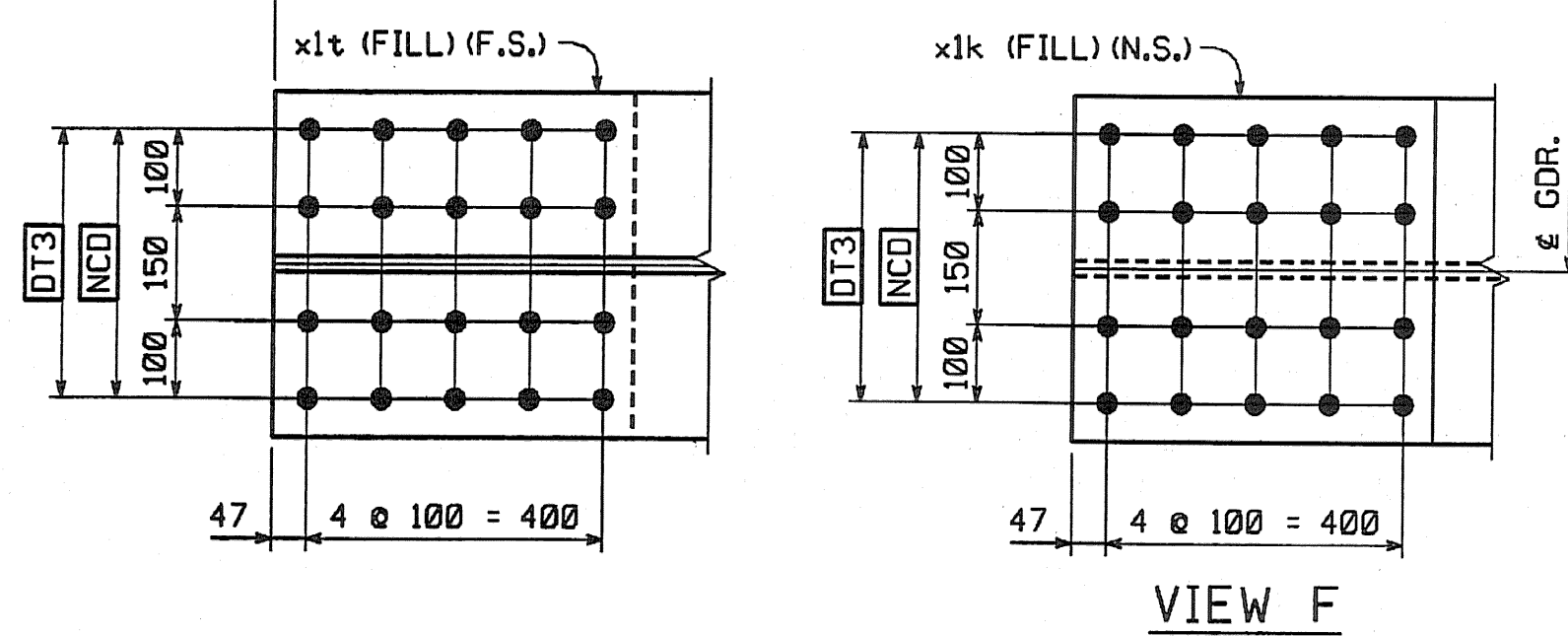
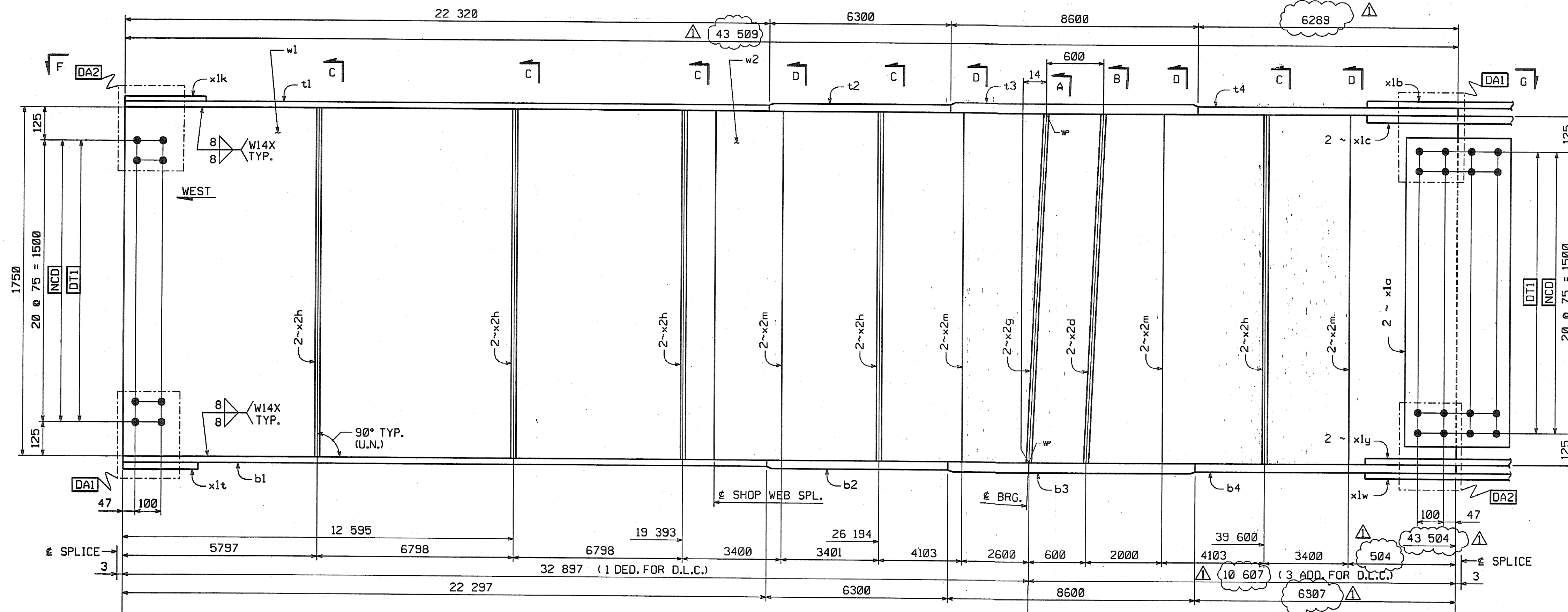
METRIC 1. ALL DIMENSIONS ARE IN MILLIMETERS UNLESS OTHERWISE NOTED. 2. ALL WEIGHTS ARE IN KILOGRAMS.

FED. ROAD DIV. NO.	STATE	FED. AID PROJ. NO.
	VT	

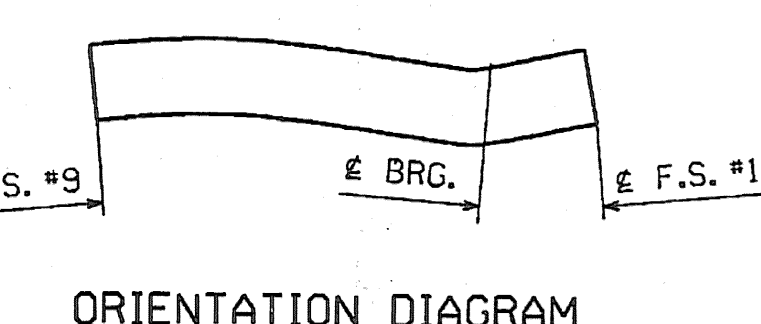
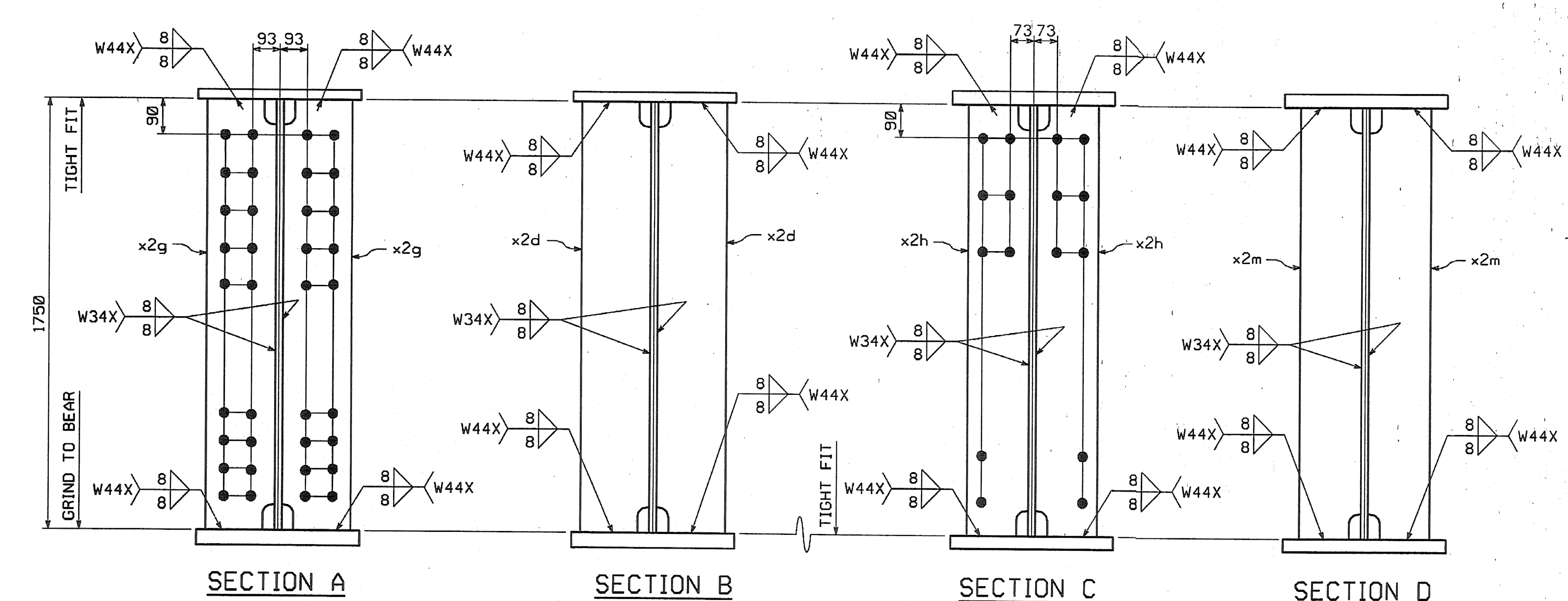
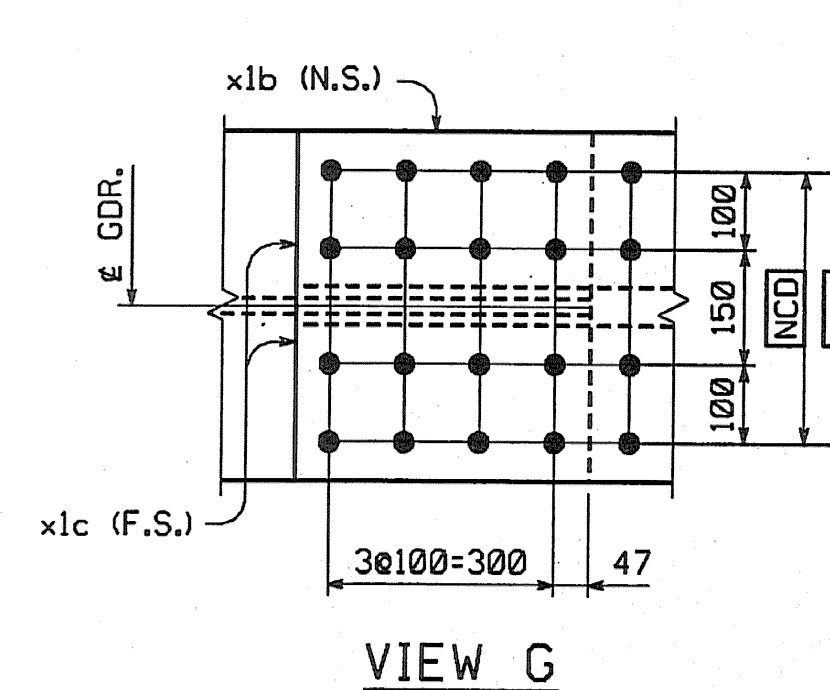
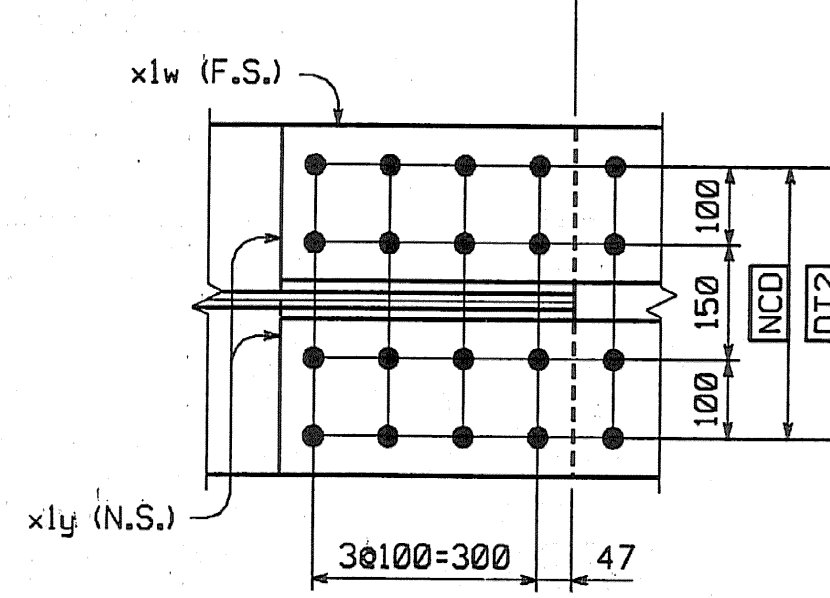
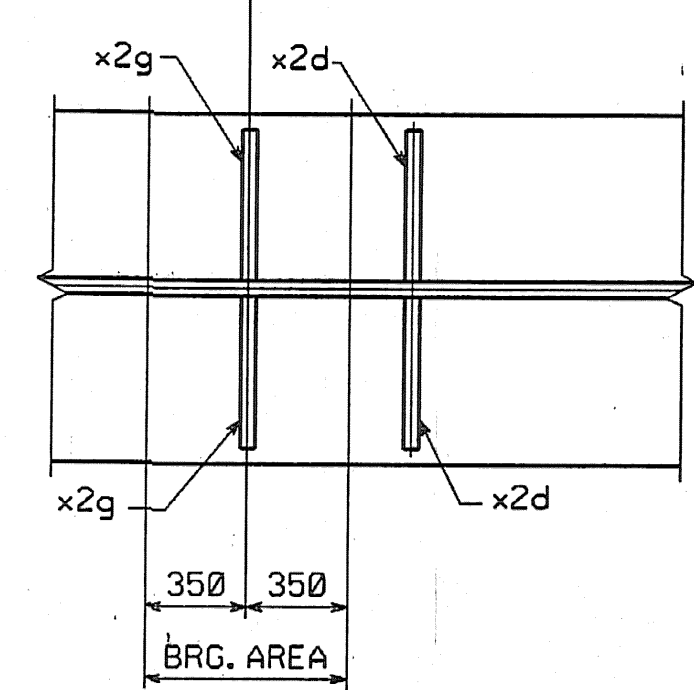
BILL OF MATERIAL

NO.	MARK	DESCRIPTION	LENGTH	REMARKS	GRP.	ITEM	SHIP. WT. KG. EA.
ONE	G6K	GIRDER					21 120
4	w1	PL 16 x 1750	19 906	(T)	3	9	4374.84
1	w2	PL 16 x 1750	23 608	(T)	3	7	5488.44
1	t1	PL 22 x 450	22 320	(T)	4	23	4784.40
1	t2	PL 32 x 450	6 300	(T)	4	15	712.07
1	t3	PL 65 x 450	8 600	(T)	4	3	1974.44
1	t4	PL 32 x 450	6 289	(T)	4	15	710.83
1	b1	PL 22 x 450	22 297	(T)	4	24	4782.61
1	b2	PL 32 x 450	6 300	(T)	4	15	712.07
1	b3	PL 65 x 450	8 600	(T)	4	3	1974.44
1	b4	PL 32 x 450	6 307	(T)	4	14	712.86
2	x1a	PL 12 x 1800	400	(T)	6	1	60.28
1	x1b	PL 14 x 450	790	(T)	6	6	39.06
2	x1c	PL 16 x 200	790	(T)	6	5	19.84
1	x1k	PL 18 x 450	492	FILL	6	4	31.28
1	x1l	PL 18 x 450	492	FILL	6	4	31.28
1	x1w	PL 14 x 450	790	(T)	6	6	39.06
2	x1y	PL 16 x 200	790	(T)	6	5	19.84
2	x2d	PL 38 x 200	1 750		7	1	104.39
2	x2g	PL 38 x 200	1 750		7	1	104.39
10	x2h	PL 12 x 180	1 750		7	4	29.67
8	x2m	PL 12 x 180	1 750		7	4	29.67

TOTAL WEIGHT THIS SHEET: 21119.25 kgs
 21120.02 kgs
 8-3-06



GIRDER ~ G6K



SHOP NOTE
 HOLES: 1 5/16" Ø
 BOLTS: NONE
 PAINT: NONE
 FOR GENERAL SHOP NOTES, SEE DWG. G01.
 FOR WEB CAMBER DIAGRAM, SEE DWG. WC3.

SHOP DRAWING REVIEW

REVIEWED AS REQUIRED BY THE CONSTRUCTION CONTRACT DOCUMENTS AND APPROVED, BUT ONLY FOR CONFORMANCE TO THE DESIGN SHOWN IN THE DRAWING. THE CONTRACTOR SHALL BE RESPONSIBLE FOR OBTAINING ALL NECESSARY PERMITS AND APPROVALS FROM THE LOCAL, STATE AND FEDERAL AGENCIES AND FOR THE DESIGN AND CONSTRUCTION OF THE WORK. THE CONTRACTOR SHALL BE RESPONSIBLE FOR THE DESIGN AND CONSTRUCTION OF THE WORK. THE CONTRACTOR SHALL BE RESPONSIBLE FOR THE DESIGN AND CONSTRUCTION OF THE WORK.

Job Number: 5041
 Reviewed By: [Signature]
 Date: 1/15/04

NO.	REVISION	BY	DATE
INCREASE LENGTHS TO SATISFY REQUIREMENTS FOR LENGTH @ MEAN TEMPERATURE OF 45°F. JSA 9/17/04			
HIGH STEEL STRUCTURES, INC. 1770 Hempstead Road, Lancaster, PA 17605-0008, Phone 717/299-5211			
GIRDER G6K			
VT 78 OVER MISSISSQUOI BAY, BRIDGE NO. 2			
VT 78 STA.10+970.425 TO STA.12+059.775			
TOWNS OF ALBURG AND SWANTON			
COUNTIES OF GRAND ISLE AND FRANKLIN			
STATE OF VERMONT, AGENCY OF TRANSPORTATION			
STATE CONTRACT OR REF. NO. BRF-036-1(1)			
CONTRACTOR CIAMBRO CORPORATION			
IN CHARGE: GLIDDEN (IH) MADE BY: ERS CHK'D: CS DATE: 8-20-04			
CONTRACT NUMBER: VT-04057-2 DRAWING NUMBER: 42 OF 112			

BY: dpcanter
 PLOTTED: 9/20/2004 10:53:57 PM