

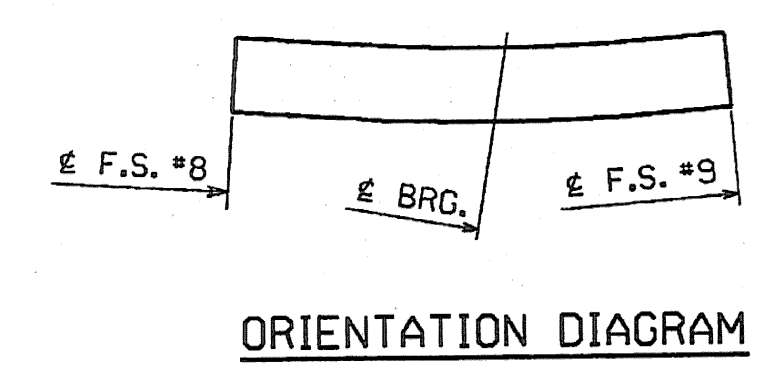
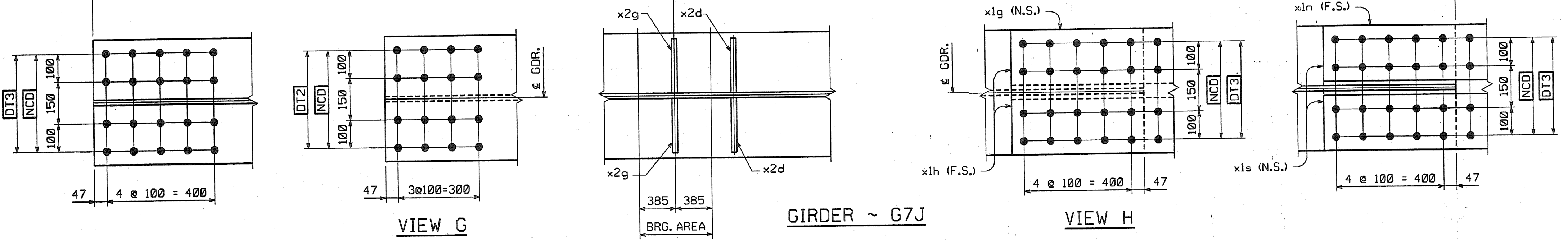
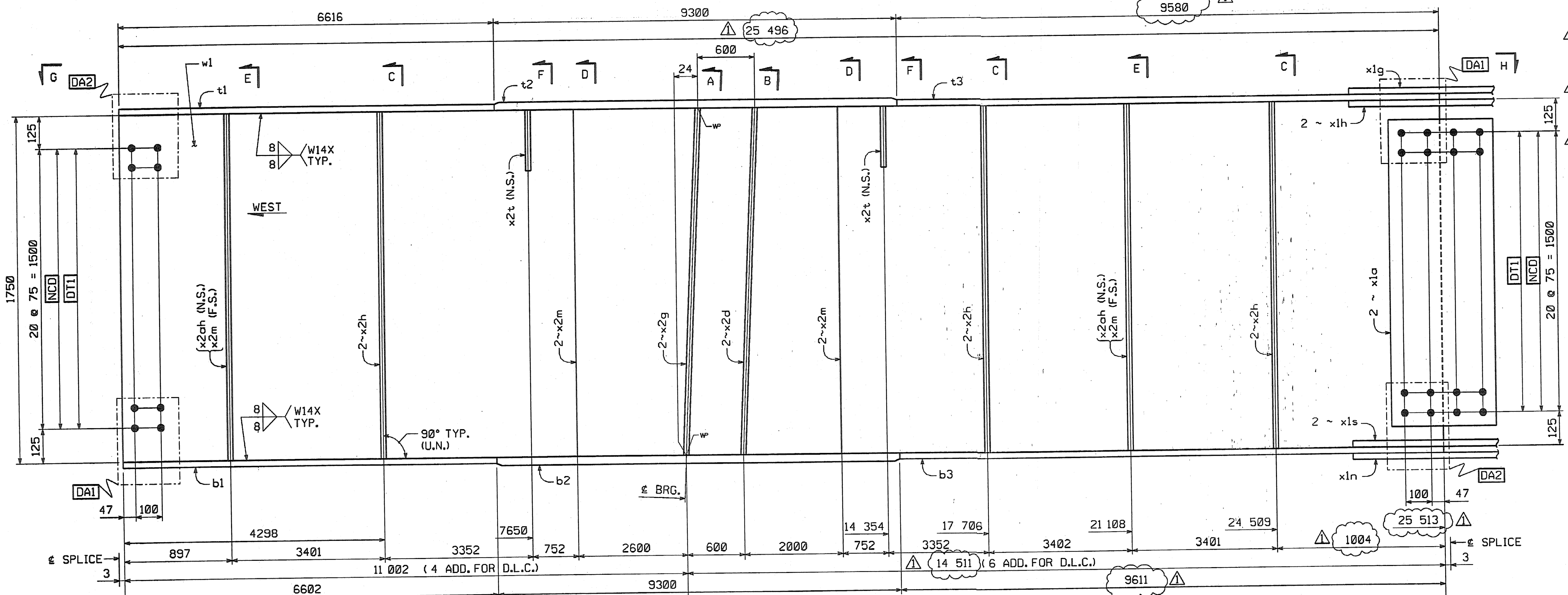
METRIC

METRIC

1. ALL DIMENSIONS ARE IN MILLIMETERS UNLESS OTHERWISE NOTED.
2. ALL WEIGHTS ARE IN KILOGRAMS.

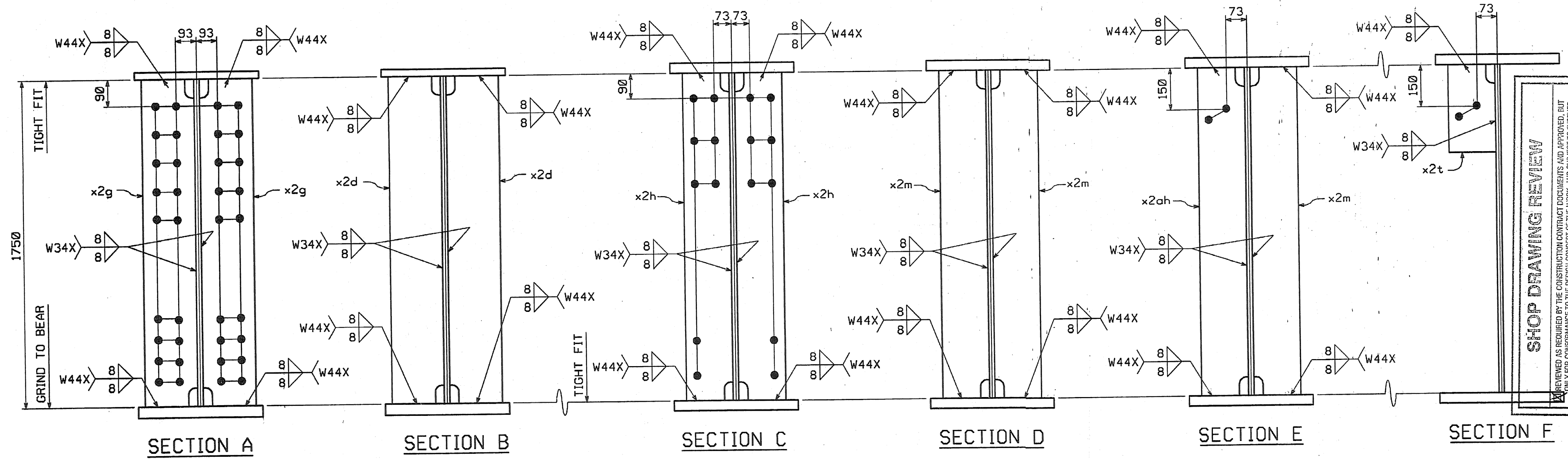
FED. ROAD DIV. NO.	STATE	FED. AID PROJ. NO.
	VT	

BILL OF MATERIAL										
NO.	MARK	DESCRIPTION	LENGTH	REMARKS	GRP.	ITEM	SHIP. WT. KG. EA.			
ONE	G7J	GIRDER					16 610			
1	w1	PL 16 x 1750	25 513	(T)		3 12	6607.11			
1	t1	PL 40 x 450	6 616	(T)		4 11	934.73			
1	t2	PL 80 x 450	9 300	(T)		4 1	2627.88			
1	t3	PL 40 x 450	9 580	(T)		4 9	1353.50			
1	b1	PL 40 x 450	6 602	(T)		4 11	932.76			
1	b2	PL 80 x 450	9 300	(T)		4 1	2627.88			
1	b3	PL 40 x 450	9 611	(T)		4 7	1357.88			
2	x1a	PL 12 x 1800	400	(T)		6 1	60.28			
1	x1g	PL 14 x 450	990	(T)		6 6	48.95			
2	x1h	PL 16 x 200	990	(T)		6 5	24.87			
1	x1n	PL 14 x 450	990	(T)		6 6	48.95			
2	x1s	PL 16 x 200	990	(T)		6 5	24.87			
2	x2d	PL 38 x 200	1750			7 1	104.39			
2	x2g	PL 38 x 200	1750			7 1	104.39			
6	x2h	PL 12 x 180	1750			7 4	29.67			
6	x2m	PL 12 x 180	1750			7 4	29.67			
2	x2l	PL 14 x 180	310			7 3	6.13			
2	x2ah	PL 12 x 180	1750			7 4	29.67			
TOTAL WEIGHT THIS SHEET:							16 604.88	kgs		



SHOP NOTE

HOLES: 15/16" ø
 BOLTS: NONE
 PAINT: NONE
 FOR GENERAL SHOP NOTES, SEE DWG. GNI.
 FOR WEB CAMBER DIAGRAM, SEE DWG. WCI.



SHOP DRAWING REVIEW

THIS DRAWING IS REVIEWED BY THE CONSTRUCTION CONTRACT DOCUMENTS AND APPROVED, BUT NOT FOR CONSTRUCTION, UNLESS OTHERWISE NOTED IN THE CONSTRUCTION CONTRACT DOCUMENTS. ANY CHANGES TO THIS DRAWING MUST BE MADE TO THE CONSTRUCTION CONTRACT DOCUMENTS.

REVISIONS AND REQUIREMENTS CONTAINED IN THE CONSTRUCTION CONTRACT DOCUMENTS, INCLUDING ANY COMMENTS MADE ON THE SHOP DRAWINGS DURING THIS REVIEW, DO NOT SUPERSEDE THE DESIGN CONCEPT OF THE PROJECT AND GENERAL COMPLIANCE WITH THE INCORPORATED DESIGN CONCEPTS. THE CONTRACTOR IS RESPONSIBLE FOR CORRECTING AND REVISIONS TO THIS DRAWING TO COMPLY WITH THE CONSTRUCTION CONTRACT DOCUMENTS AND ANY COMMENTS MADE ON THE SHOP DRAWINGS DURING THIS REVIEW.

DATE: 9/17/04

BY: JSA

Job Number: 50411
 Reviewed By: [Signature]
 Date: 9/17/04

INCREASE LENGTHS TO SATISFY REQUIREMENTS FOR LENGTH & MEAN TEMPERATURE OF 45°F.

NO. REVISION BY DATE

1710 Hempstead Road
 Lancaster, PA 17605-0008
 Phone 717/299-5211

HIGH STEEL STRUCTURES, INC.

A Division of High Industries, Inc.

GIRDER G7J

VT 78 OVER MISSISQUOI BAY, BRIDGE NO. 2
 VT 78 STA.10+970.425 TO STA.12+059.775
 TOWNS OF ALBURG AND SWANTON
 COUNTIES OF GRAND ISLE AND FRANKLIN
 STATE OF VERMONT, AGENCY OF TRANSPORTATION

STATE CONTRACT OR REF. NO. BRF-036-111

CONTRACTOR CIAMBRO CORPORATION

IN CHARGE: GLIDDEN (IH) MADE BY: ERS CHK'D. BY: CS DATE: 8-20-04

CONTRACT NUMBER: VT-04057-2 DRAWING NUMBER: 39 OF 112

BY: dpa/ner
 PLOTTED: 9/20/2004 1:05:48 PM

16 604.88 KGS A.P.C.
 21.06
 2627.88
 1353.50
 932.76
 2627.88
 1357.88
 60.28
 48.95
 24.87
 48.95
 24.87
 104.39
 104.39
 29.67
 29.67
 6.13
 29.67

JAP
 08-22-06