

METRIC

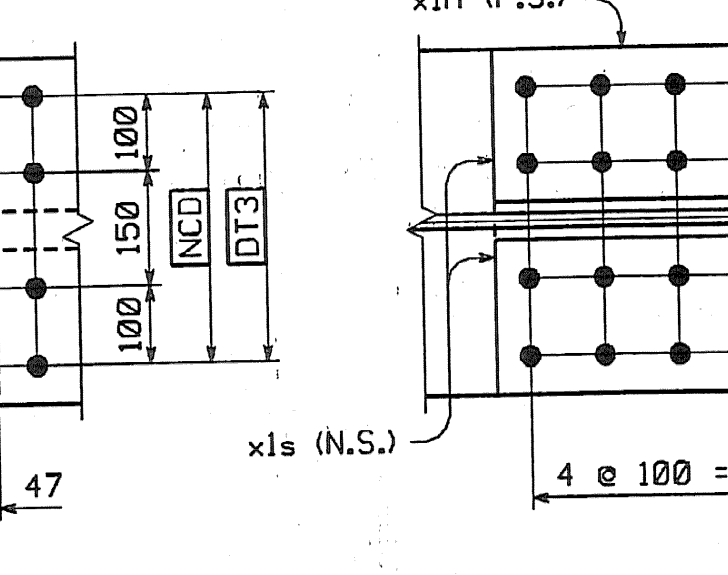
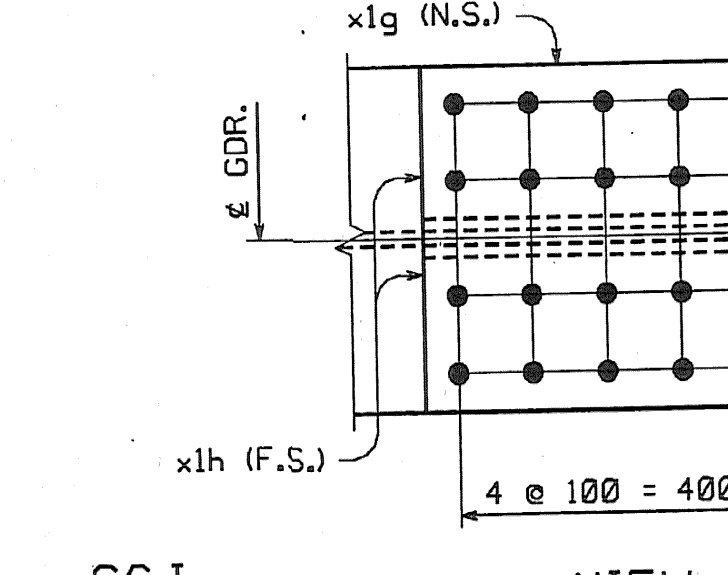
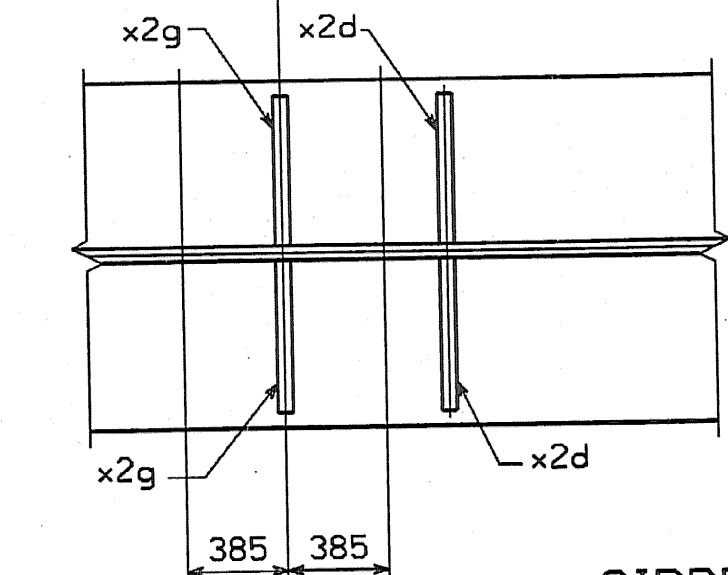
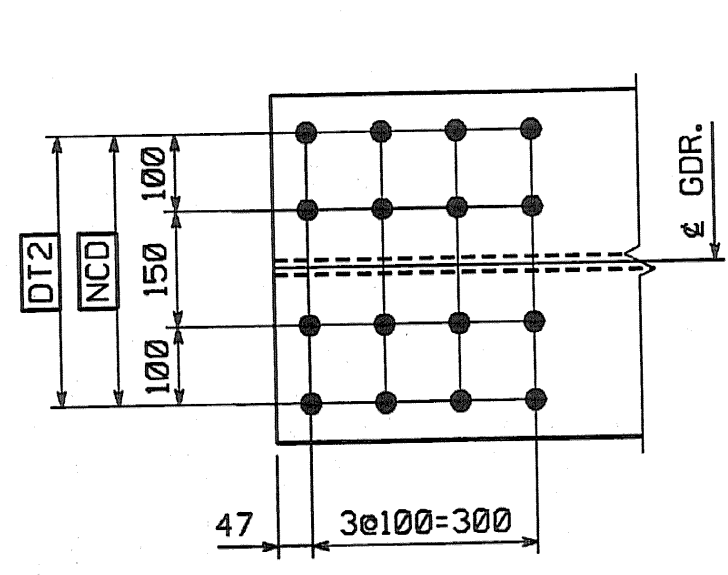
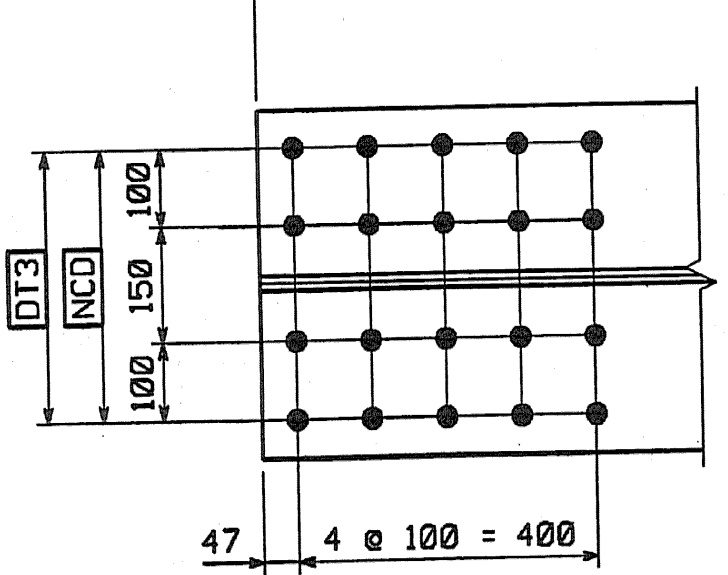
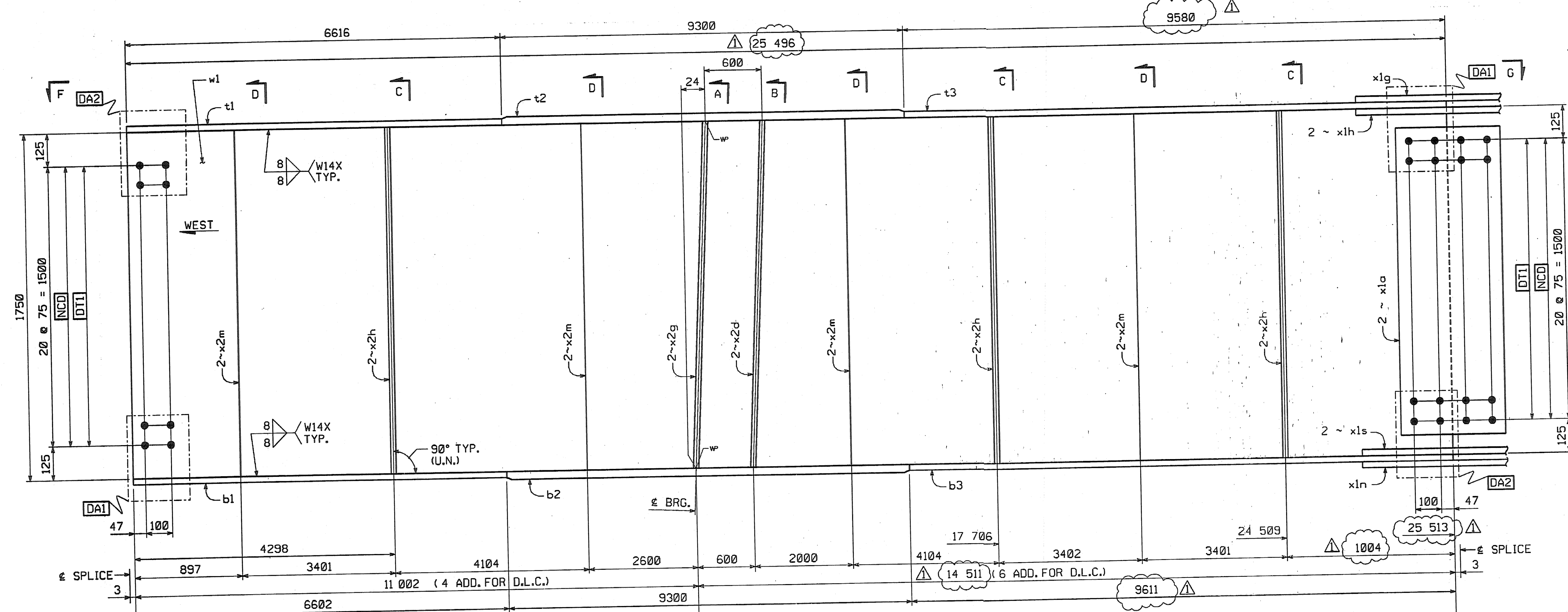
METRIC

1. ALL DIMENSIONS ARE IN MILLIMETERS UNLESS OTHERWISE NOTED.
2. ALL WEIGHTS ARE IN KILOGRAMS.

FED. ROAD DIV. NO.	STATE	FED. AID PROJ. NO.
	VT	

BILL OF MATERIAL

NO.	MARK	DESCRIPTION	LENGTH	REMARKS	GRP.	ITEM	SHIP. WT. KG. EA.
ONE	G6J	GIRDER					16 600
1	w1	PL 16 x 1750	25 543	(T) 25 543.5	3	12	5607.11
1	t1	PL 40 x 450	6 616	(T)	4	11	934.73
1	t2	PL 80 x 450	9 300	(T)	4	1	2627.88
1	t3	PL 40 x 450	9 580	(T)	4	9	1363.50
1	b1	PL 40 x 450	6 602	(T)	4	11	932.76
1	b2	PL 80 x 450	9 300	(T)	4	1	2627.88
1	b3	PL 40 x 450	9 611	(T)	4	7	1357.88
2	x1a	PL 12 x 1600	400	(T)	6	1	60.28
1	x1g	PL 14 x 450	990	(T)	6	6	48.95
2	x1h	PL 16 x 200	990	(T)	6	5	24.87
1	x1n	PL 14 x 450	990	(T)	6	8	48.95
2	x1s	PL 16 x 200	990	(T)	6	5	24.87
2	x2d	PL 38 x 200	1 750		7	1	104.39
2	x2g	PL 38 x 200	1 750		7	1	104.39
6	x2h	PL 12 x 180	1 750		7	4	29.67
8	x2m	PL 12 x 180	1 750		7	4	29.67
TOTAL WEIGHT THIS SHEET:							16 692.62 kgs



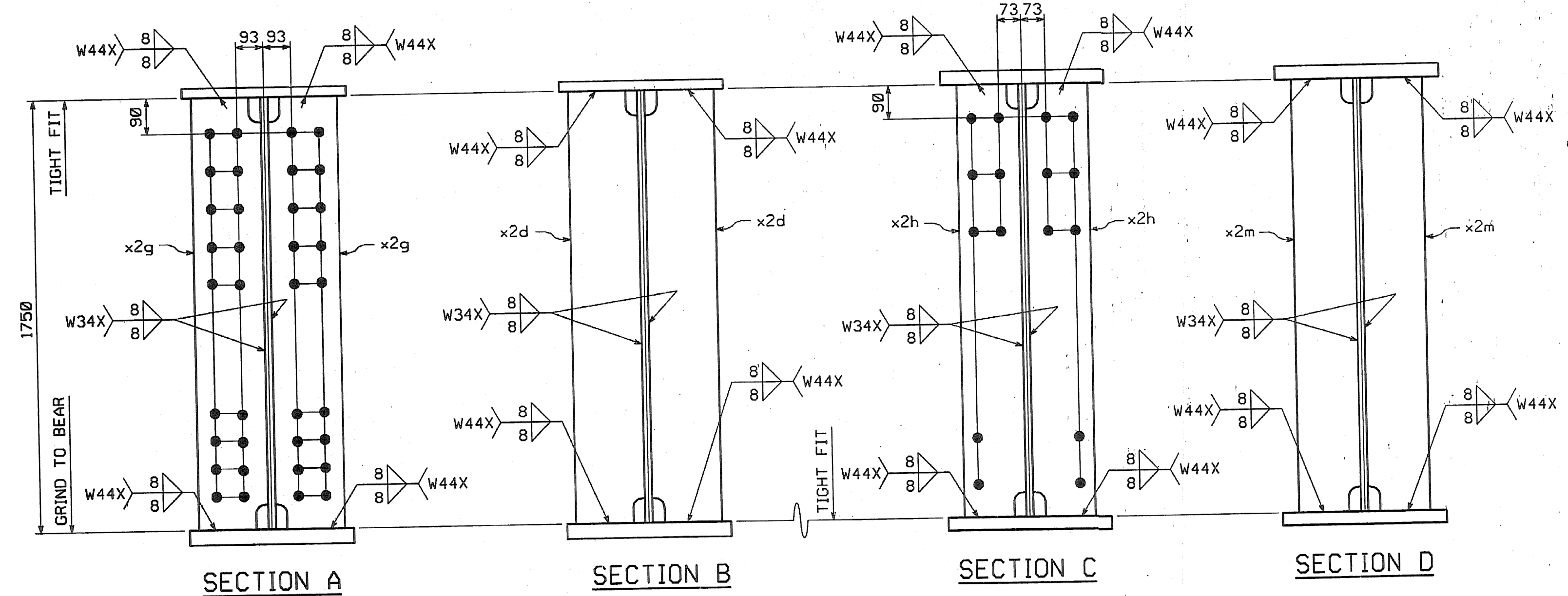
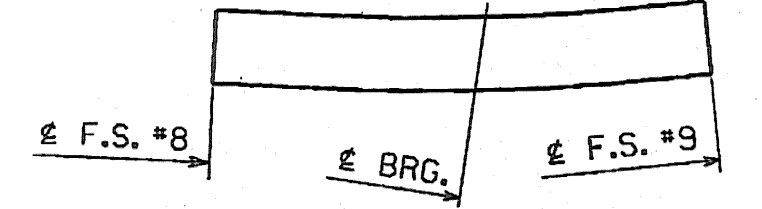
SHOP DRAWING REVIEW

REVIEWED AS REQUIRED BY THE CONSTRUCTION CONTRACT DOCUMENTS AND APPROVED, BUT ONLY FOR CONFORMANCE TO THE DESIGN OF THE WORK, AND SUBJECT TO FURTHER LIMITATIONS AND REQUIREMENTS CONTAINED IN THE CONSTRUCTION CONTRACT DOCUMENTS.

SELECTED REVISE AND RESUBMIT FURNISH AS CORRECTED

CONNECTIONS OR DIMENSIONS MADE ON THE SHOP DRAWINGS DURING THE REVIEW DO NOT RELIEVE CONTRACTOR FROM COMPLIANCE WITH REQUIREMENTS OF THE DRAWINGS AND SPECIFICATIONS. THIS REVIEW IS ONLY FOR REVIEW OF GENERAL COMPLIANCE WITH THE DESIGN CONCEPT OF THE PROJECT AND GENERAL COMPLIANCE WITH THE INFORMATION GIVEN IN THE CONTRACT DOCUMENTS. THE CONTRACTOR IS RESPONSIBLE FOR OBTAINING AND CORRELATING ALL DIMENSIONS AND DIMENSIONS, SELECTING ACTIVATION PROCESSES AND TECHNIQUES OF CONSTRUCTION, COORDINATING HIS WORK WITH THAT OF ALL OTHER TRADES, AND PERFORMING HIS WORK IN A SAFE AND SATISFACTORY MANNER.

Reviewed By: *[Signature]*
Date: *11/10/04*



SHOP NOTE

HOLES: 1 5/16"

BOLTS: NONE

PAINT: NONE

FOR GENERAL SHOP NOTES, SEE DWG. GNI.

FOR WEB CAMBER DIAGRAM, SEE DWG. WC1.

NO.	REVISION	BY	DATE
	INCREASE LENGTHS TO SATISFY REQUIREMENTS FOR LENGTH @ MEAN TEMPERATURE OF 45°F.	JSA	9/17/04
<p>1770 Hempstead Road Lancaster, PA 17605-0008 Phone 717/299-5211</p> <p>HIGH STEEL STRUCTURES, INC.</p> <p>A Division of High Industries, Inc.</p>			
GIRDER		G6J	
VT 78 OVER MISSISSQUOI BAY, BRIDGE NO. 2			
VT 78 STA.10+970.425 TO STA.12+059.775			
TOWNS OF ALBURG AND SWANTON			
COUNTIES OF GRAND ISLE AND FRANKLIN			
STATE OF VERMONT, AGENCY OF TRANSPORTATION			
STATE CONTRACT OR REF. NO.	BRF-036-1(1)		
CONTRACTOR	CIAMBRO CORPORATION		
IN CHARGE	GLIDDEN (IH)	MADE BY	ESB
CONTRACT NUMBER	VT-04057-2	CHK'D. BY	CS
		DATE	8-20-04
		DRAWING NUMBER	38 OF 112

BY: dpc/mtr
PLOTTED: 9/20/2004 10:54:45 PM

Handwritten notes and calculations on the right side of the page, including weights and dimensions.

08-21-06