

METRIC 1. ALL DIMENSIONS ARE IN MILLIMETERS UNLESS OTHERWISE NOTED.
2. ALL WEIGHTS ARE IN KILOGRAMS.

FED. ROAD DIV. NO.	STATE	FED. AID PROJ. NO.
	VT	

BILL OF MATERIAL									
NO.	MARK	DESCRIPTION	LENGTH	REMARKS	GRP.	ITEM	SHIP. WT. KG. EA.		
ONE	G5J	GIRDER					16 390		
1	w1	PL 16 x 1750	25 513	(T) 25 513	3	12	5607.14	5607.14	
1	t1	PL 40 x 450	6 616	(T)	4	11	934.73	934.73	
1	t2	PL 80 x 450	9 300	(T)	4	1	2627.88	2627.88	
1	t3	PL 40 x 450	9 580	(T)	4	9	1353.50	1353.50	
1	b1	PL 40 x 450	6 602	(T)	4	11	932.76	932.76	
1	b2	PL 80 x 450	9 300	(T)	4	1	2627.88	2627.88	
1	b3	PL 40 x 450	9 611	(T)	4	7	1357.88	1357.88	
2	x1a	PL 12 x 1600	400	(T)	6	1	60.28	60.28	
1	x1g	PL 14 x 450	990	(T)	6	6	48.95	48.95	
2	x1h	PL 16 x 200	990	(T)	6	5	24.87	24.87	
1	x1n	PL 14 x 450	990	(T)	6	6	48.95	48.95	
2	x1s	PL 16 x 200	990	(T)	6	5	24.87	24.87	
1	x2c	PL 38 x 200	1 750		7	1	104.39	104.39	
2	x2d	PL 38 x 200	1 750		7	1	104.39	104.39	
1	x2g	PL 38 x 200	1 750		7	1	104.39	104.39	
3	x2h	PL 12 x 180	1 750		7	4	29.67	29.67	
4	x2m	PL 12 x 180	1 750		7	4	29.67	29.67	
1	x2af	PL 6 x 130	301		7	5	4.84	4.84	

TOTAL WEIGHT THIS SHEET: 16 386.78 kgs

SHOP DRAWING REVIEW

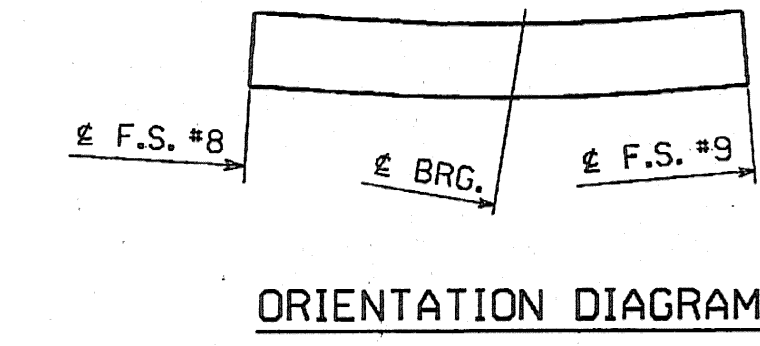
REVIEWED AS REQUIRED BY THE CONSTRUCTION CONTRACT DOCUMENTS AND APPROVED, BUT ONLY FOR CONFORMANCE TO THE DESIGN CONCEPT OF THE WORK, AND SUBJECT TO FURTHER LIMITATIONS AND REQUIREMENTS CONTAINED IN THE CONSTRUCTION CONTRACT DOCUMENTS.

REJECTED REVISE AND RESUBMIT PURNISH AS CORRECTED

CORRECTIONS OR COMMENTS MADE ON THE SHOP DRAWINGS DURING THIS REVIEW DO NOT RELIEVE THE CONTRACTOR FROM COMPLIANCE WITH REQUIREMENTS OF THE SPECIFICATIONS AND SPECIFICATIONS. THIS CHECK IS ONLY FOR REVIEW OF GENERAL CONFORMANCE WITH THE DESIGN CONCEPT OF THE PROJECT AND GENERAL COMPLIANCE WITH THE INFORMATION GIVEN IN THE CONTRACT DOCUMENTS. THE CONTRACTOR IS RESPONSIBLE FOR CORRECTING AND CORRELATING ALL QUANTITIES AND DRAWINGS, SELECTING FABRICATION PROCESSES AND TECHNIQUES OF CONSTRUCTION, COORDINATING HIS WORK WITH THAT OF ALL OTHER TRADES, AND PERFORMANCE HIS WORK IN A SAFE AND SATISFACTORY MANNER.

VHIB Vermont Hargen Struttin, Inc.
Engineers, Planners, and Scientists
Six Dedford Farms, Milton Rd.
Bedford, NH 03102 603 644 0080

Job Number: S311
Reviewed By: JSA
Date: 11/1/04

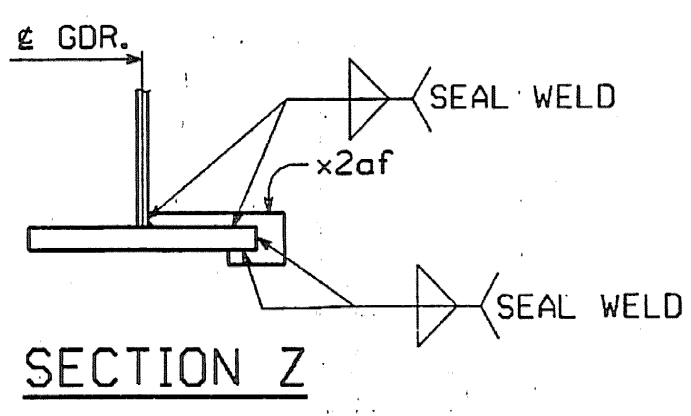
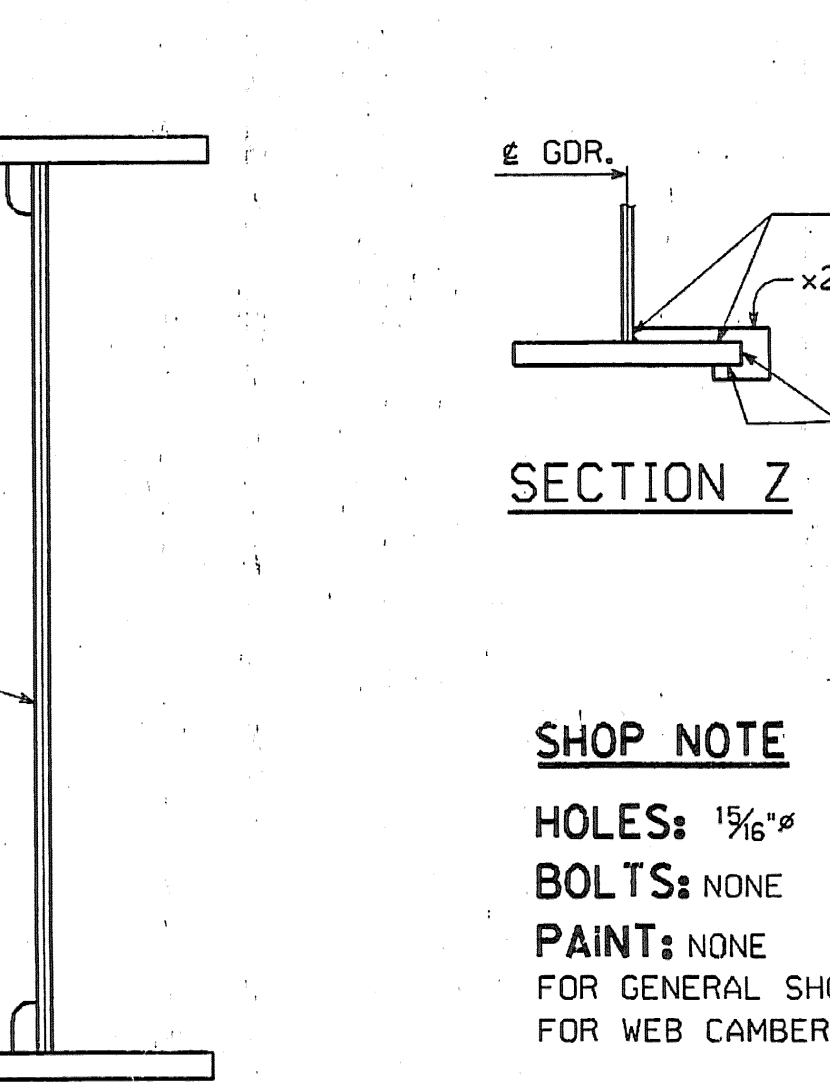
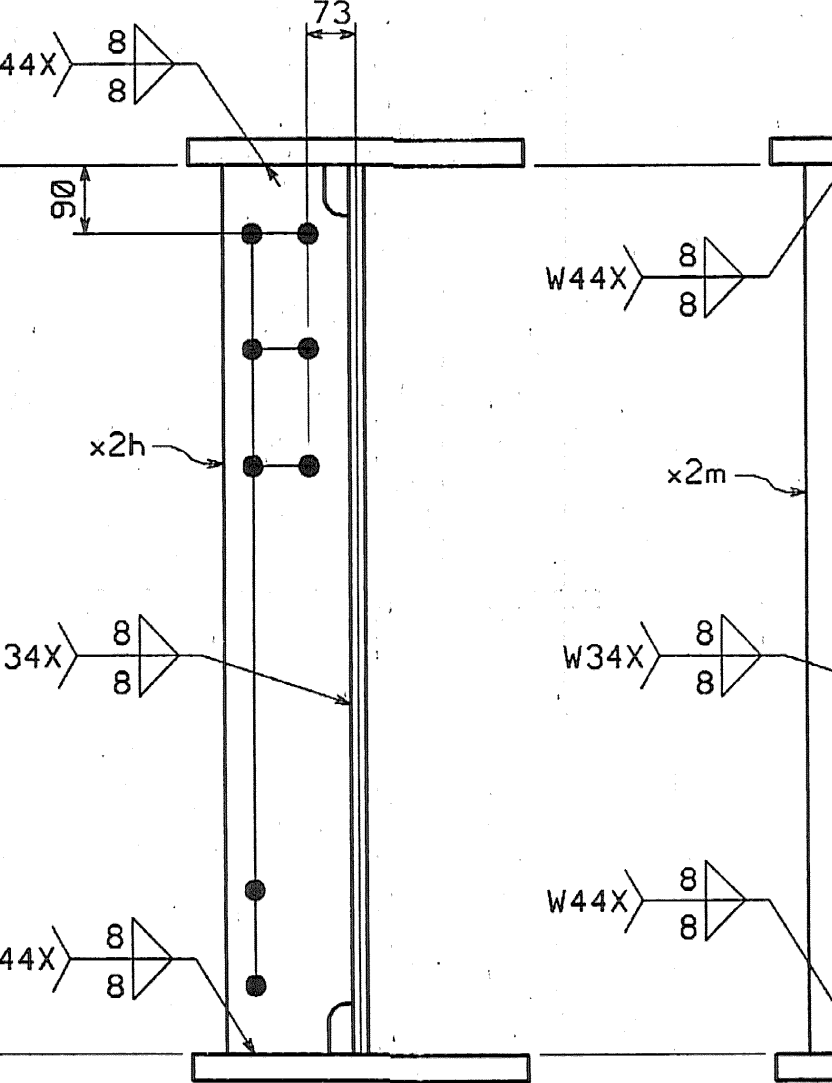
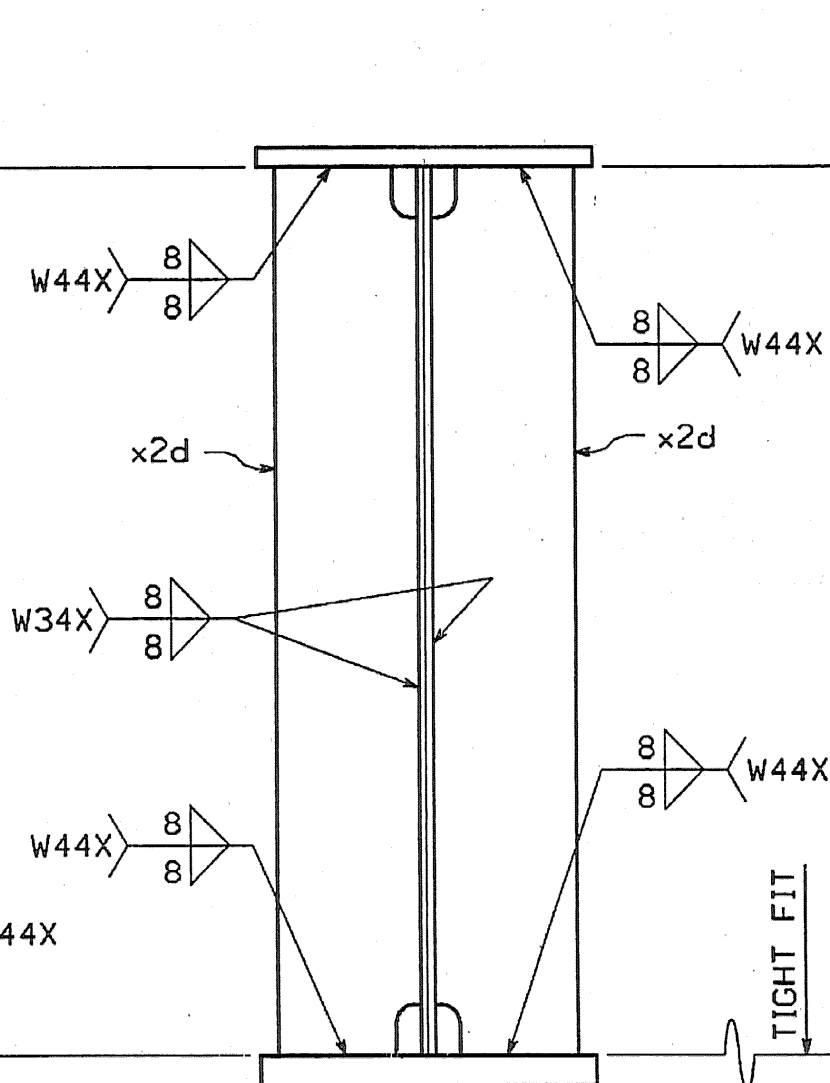
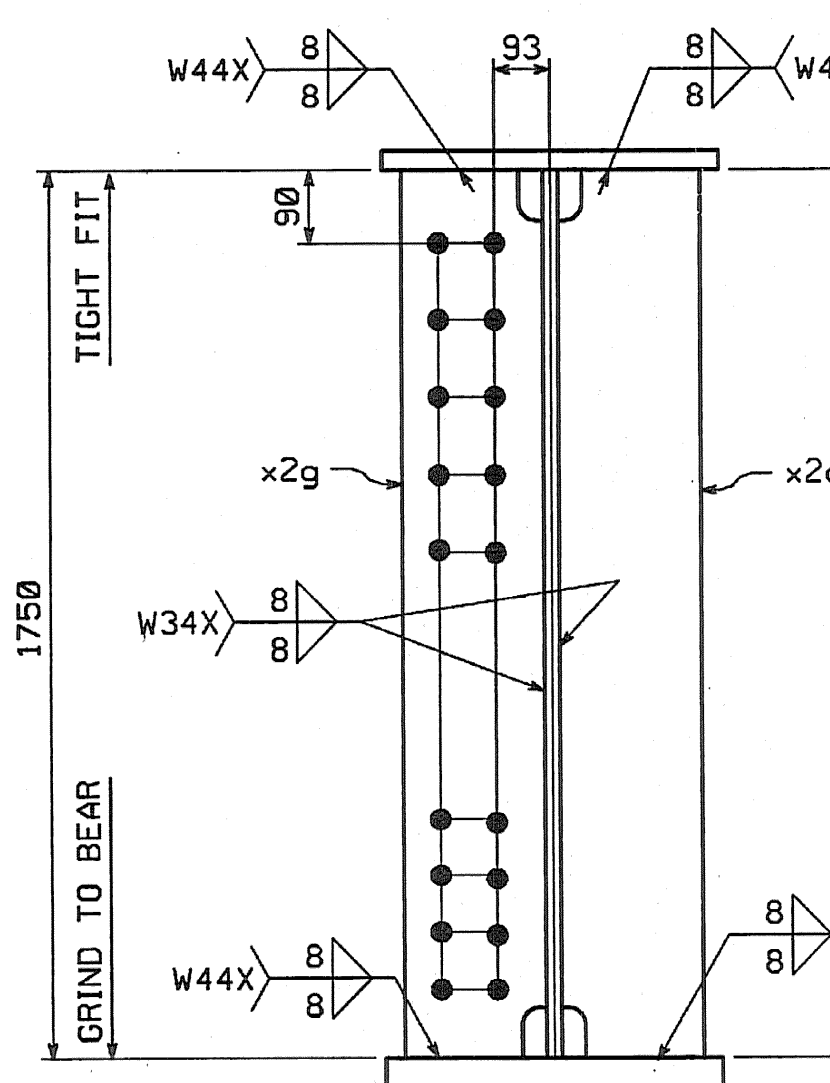
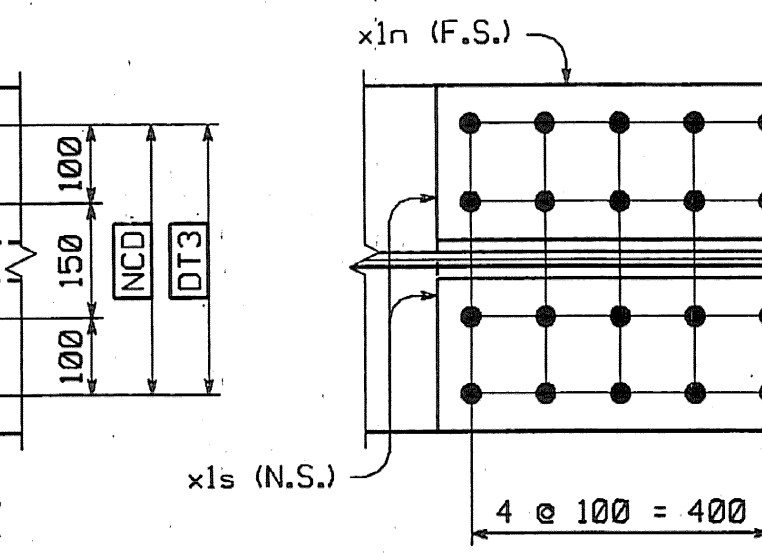
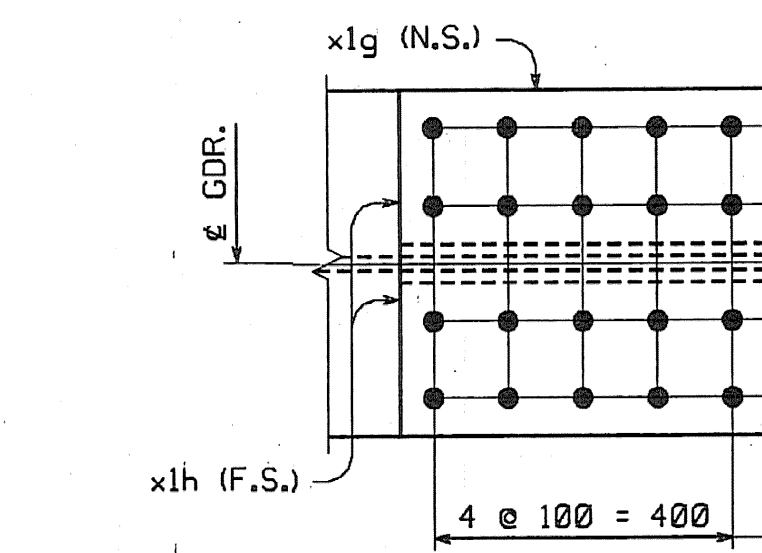
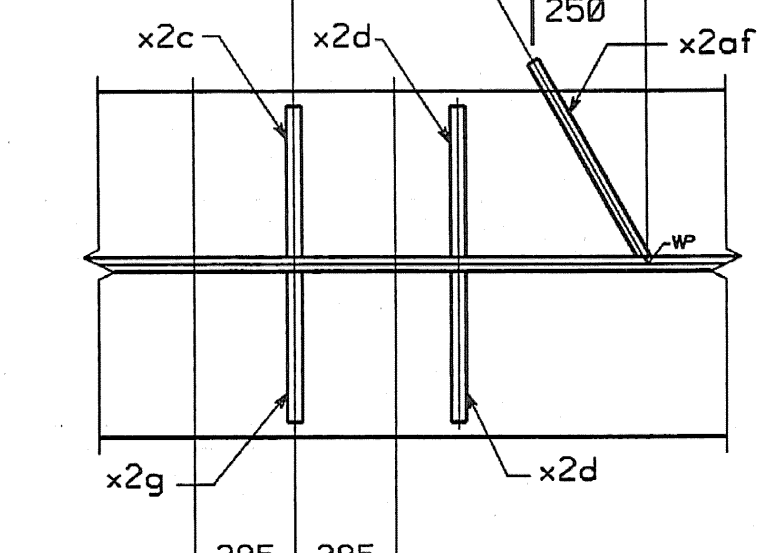
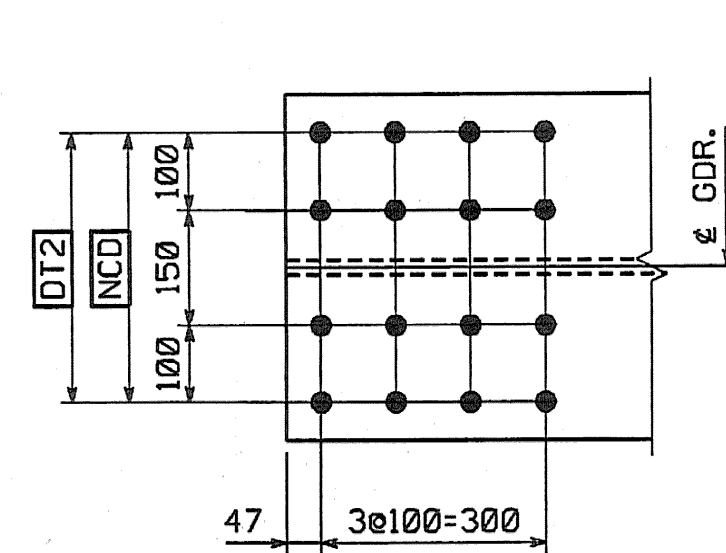
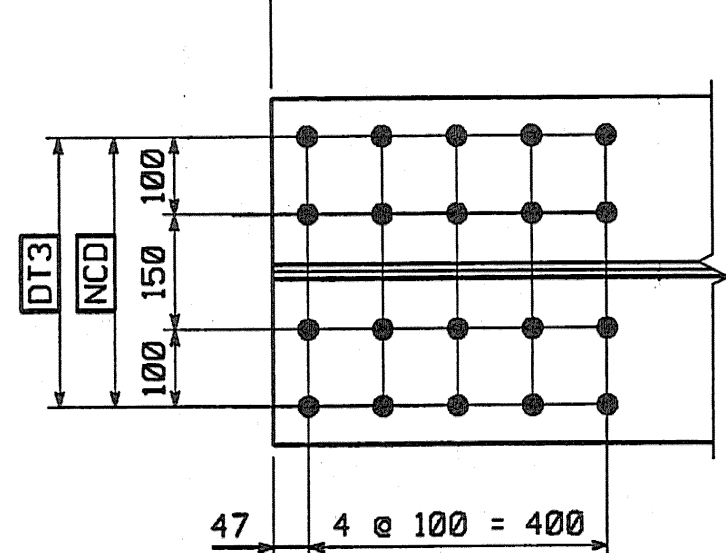
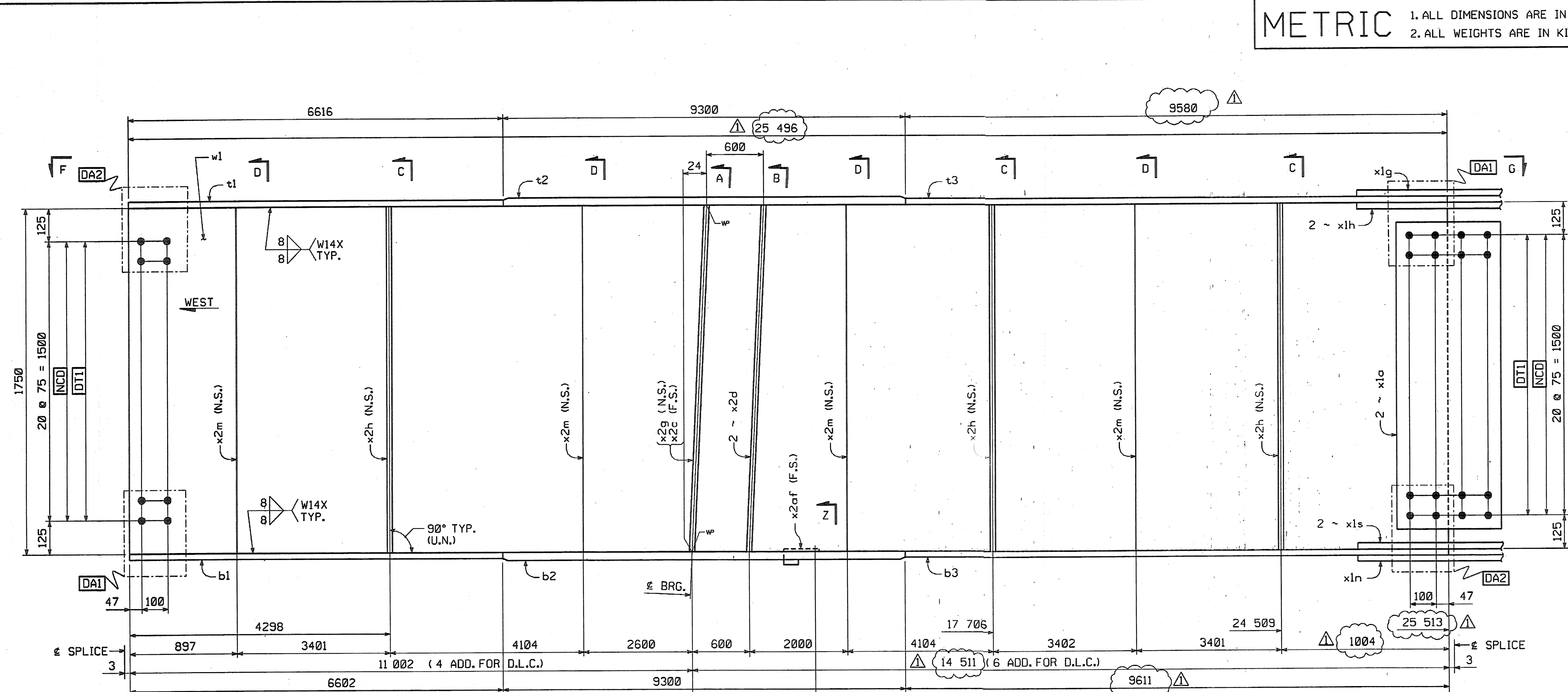


NO.	REVISION	BY	DATE
1	INCREASE LENGTHS TO SATISFY REQUIREMENTS FOR LENGTH @ MEAN TEMPERATURE OF 45°F.	JSA	9/17/04

HIGH STEEL STRUCTURES, INC.
1770 Hempstead Road
Lancaster, PA 17605-0008
Phone 717/299-5211
A Division of High Industries, Inc.

GIRDER G5J
VT 78 OVER MISSISSQUOI BAY, BRIDGE NO. 2
VT 78 STA.10+970.425 TO STA.12+059.775
TOWNS OF ALBURG AND SWANTON
COUNTIES OF GRAND ISLE AND FRANKLIN
STATE OF VERMONT, AGENCY OF TRANSPORTATION

STATE CONTRACT OR REF. NO. BRF-036-1(1)
CONTRACTOR CIAMBRO CORPORATION
IN CHARGE: GLIDDEN (IH) MADE BY: ERS BY: CS DATE: 8-20-04
CONTRACT NUMBER: VT-04057-2 DRAWING NUMBER: 37 OF 112



SHOP NOTE
HOLES: 15/16" ø
BOLTS: NONE
PAINT: NONE
FOR GENERAL SHOP NOTES, SEE DWG. G01.
FOR WEB CAMBER DIAGRAM, SEE DWG. W01.

BY: dpc/mor
PLOTTED: 9/20/2004 10:54:42 PM

89 ✓
5607.14
934.73
2627.88
1353.50
932.76
2627.88
1357.88
60.28
48.95
24.87
48.95
24.87
104.39
104.39
104.39
29.67
29.67
4.84
16 386.78 kgs
16 385.61 kgs
16 385.72 kgs
09-21-04