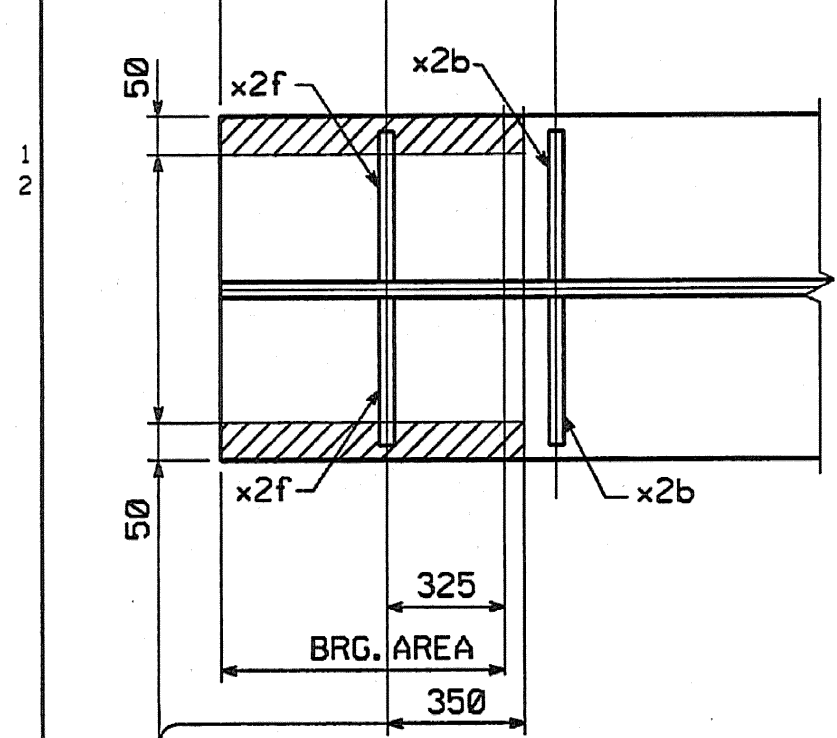
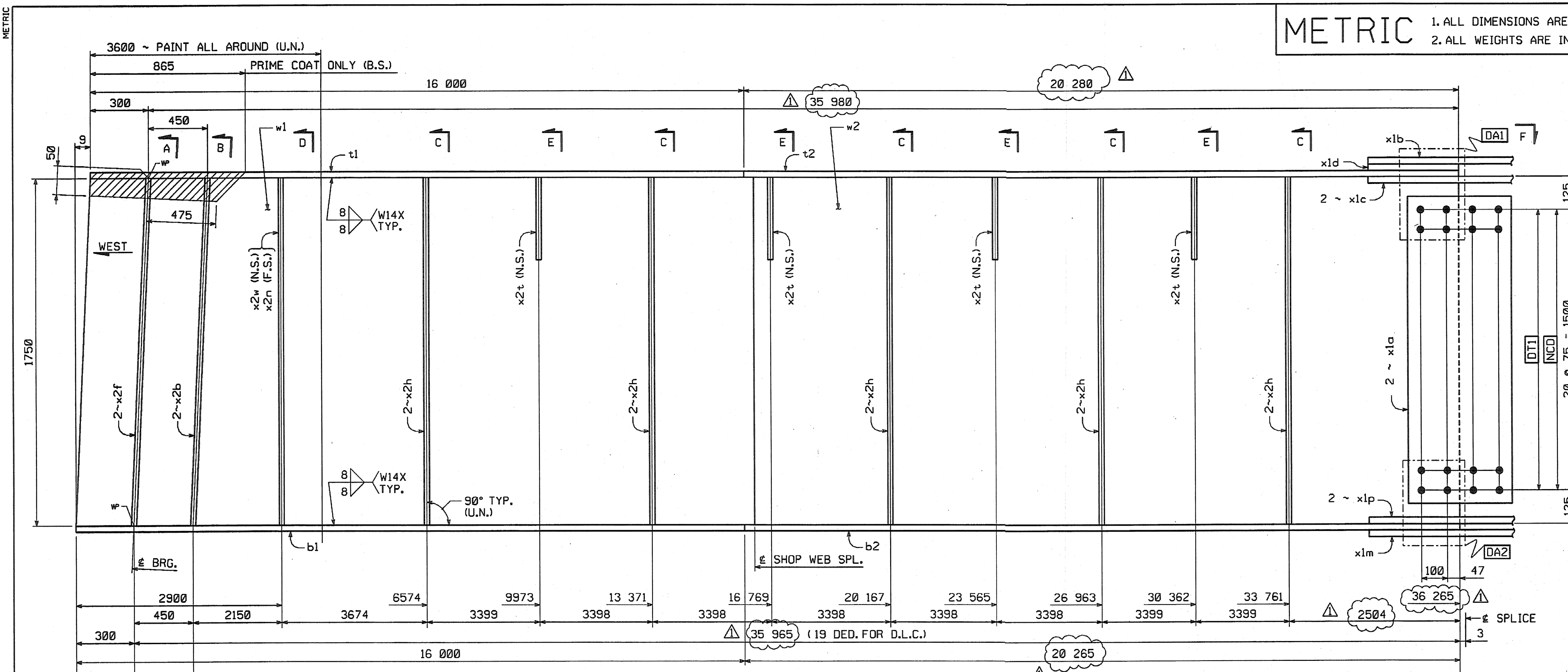


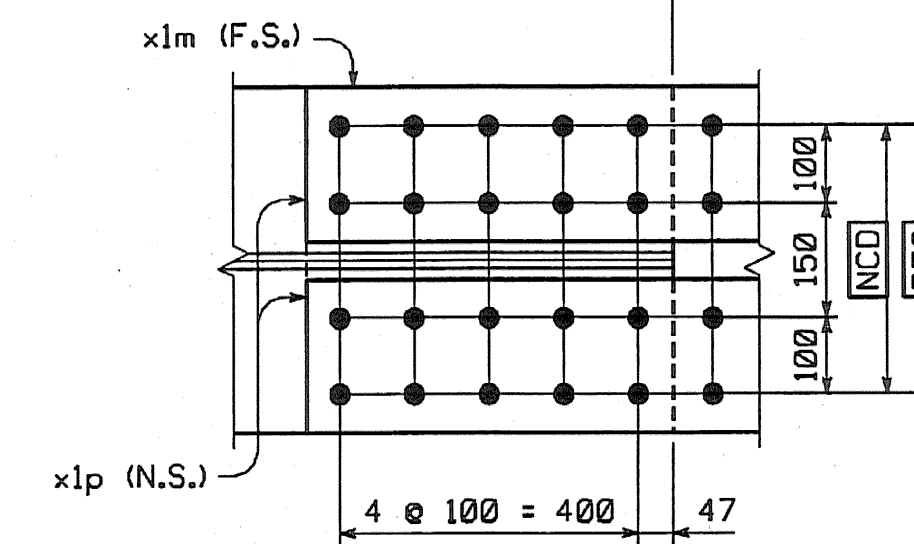
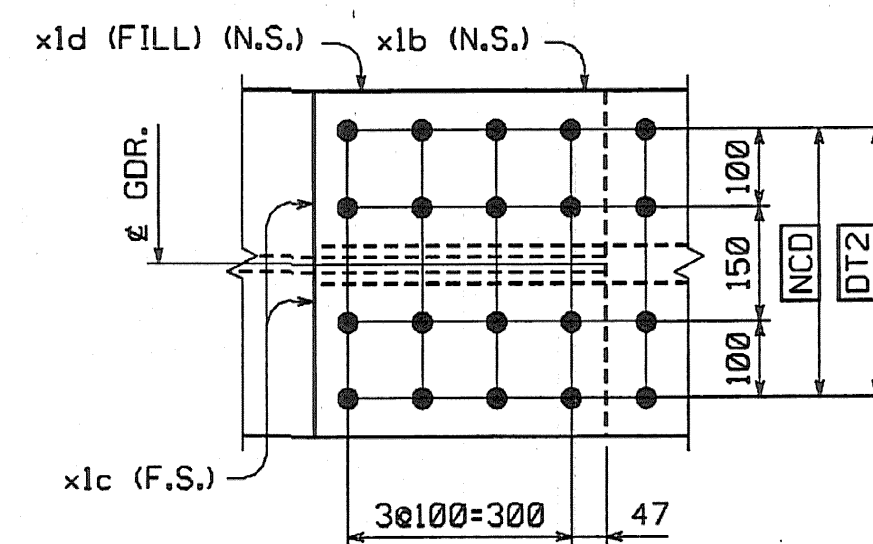
METRIC

1. ALL DIMENSIONS ARE IN MILLIMETERS UNLESS OTHERWISE NOTED.
2. ALL WEIGHTS ARE IN KILOGRAMS.

FED. ROAD DIV. NO.	STATE	FED. AID PROJ. NO.
	VT	



GIRDER ~ G71



ORIENTATION DIAGRAM

BILL OF MATERIAL									
NO.	MARK	DESCRIPTION	LENGTH	REMARKS	GRP.	ITEM	SHIP. WT. KG. EA.		
ONE	G71	GIRDER					16 900		
1	w1	PL 16 x	1750	16.307 (T)	3	11	3583.87		
1	w2	PL 16 x	1750	18.998 (T) 26772	3	8	4395.06	7972.20	
1	t1	PL 22 x	450	16.001 (T) 16000	4	28	1243.38	1243.44	
1	t2	PL 22 x	450	20.280 (T)	4	27	1575.88	1576.06	
1	b1	PL 40 x	450	16.001 (T) 16000	4	5	2260.68	2260.50	
1	b2	PL 40 x	450	20.265 (T)	4	4	2868.12	2868.44	
2	x1a	PL 12 x	1600	400 (T)	6	1	60.28	120.56	
1	x1b	PL 14 x	450	790 (T)	6	6	-39.08	39.07	
2	x1c	PL 16 x	200	790 (T)	6	5	19.84	39.65	
1	x1d	PL 18 x	450	392 FILL	6	4	24.92	24.93	
1	x1m	PL 18 x	450	990 (T)	6	3	62.94	62.95	
2	x1p	PL 20 x	200	990 (T)	6	2	31.08	62.17	
2	x2b	PL 22 x	200	1750	7	2	60.44	120.48	
2	x2f	PL 22 x	200	1750	7	2	60.44	120.48	
10	x2h	PL 12 x	180	1750	7	4	29.67	120.43	
1	x2n	PL 12 x	180	1750	7	4	29.67	120.43	
4	x2t	PL 14 x	180	310	7	3	-6.13	24.53	
1	x2w	PL 12 x	180	1750	7	4	29.67	120.43	

TOTAL WEIGHT THIS SHEET: 16893.63 kgs

16893.63 kgs A.S. 4.1.6

SHOP DRAWING REVIEW

REVIEWED AS REQUIRED BY THE CONSTRUCTION CONTRACT DOCUMENTS AND APPROVED, BUT ONLY FOR CONFORMANCE TO THE DESIGN CONCEPT OF THE WORK, AND SUBJECT TO FURTHER LIMITATIONS AND REQUIREMENTS CONTAINED IN THE CONSTRUCTION CONTRACT DOCUMENTS.

REJECTED REVISE AND RESUBMIT RESUBMIT AS CORRECTED

CORRECTIONS OR COMMENTS MADE ON THE SHOP DRAWINGS DURING THIS REVIEW DO NOT RELIEVE CONTRACTOR FROM COMPLIANCE WITH REQUIREMENTS OF THE DRAWINGS AND SPECIFICATIONS. THIS CHECK IS ONLY FOR REVIEW OF GENERAL CONFORMANCE WITH THE DESIGN CONCEPT OF THE PROJECT AND GENERAL COMPLIANCE WITH THE INFORMATION GIVEN IN THE CONSTRUCTION DOCUMENTS. THE CONTRACTOR IS RESPONSIBLE FOR CORRECTING AND CORRELATING ALL QUANTITIES AND DIMENSIONS; SELECTING FABRICATION PROCESSES AND TECHNIQUES OF CONSTRUCTION; COORDINATING HIS WORK WITH THAT OF ALL OTHER TRADES; AND PERFORMING HIS WORK IN A SAFE AND EXPEDIENT MANNER.

VHB
Vermont Highway Builders, Inc.
Engineers, Planners, and Scientists
Six Bedford Farms, Milton Rd.
Bedford, NH 03110, 603-644-0882

Job Number: 50911
Reviewed By: *[Signature]*
Date: 11/8/04

INCREASE LENGTHS TO SATISFY REQUIREMENTS FOR LENGTH @ MEAN TEMPERATURE OF 45°F.	JSA	9/17/04
NO.	REVISION	BY DATE
HIGH STEEL STRUCTURES, INC.		
1770 Hemstead Road Lancaster, PA 17605-0008 Phone 717/299-5211		
A Division of High Industries, Inc.		
GIRDER		G71
VT 78 OVER MISSISSQUOI BAY, BRIDGE NO. 2		
VT 78 STA. 10+970.425 TO STA. 12+059.775		
TOWNS OF ALBURG AND SWANTON		
COUNTIES OF GRAND ISLE AND FRANKLIN		
STATE OF VERMONT, AGENCY OF TRANSPORTATION		
STATE CONTRACT OR REF. NO.	BRF-036-1(1)	
CONTRACTOR	CIAMBRO CORPORATION	
IN CHARGE	GLIDDEN (IH)	MADE BY: <i>[Signature]</i> CHK'D. BY: CS DATE: 8-19-04
CONTRACT NUMBER	VT-04057-2	DRAWING NUMBER: 35 OF 112

SHOP NOTE

HOLES: 15/16"
BOLTS: NONE
PAINT: SEE DWG. GNI
FOR GENERAL SHOP NOTES, SEE DWG. GNI.
FOR WEB CAMBER DIAGRAM, SEE DWG. WCI.

CODE:30

By: dpainter

PLOTTED: 9/20/2004 10:55:36 PM