

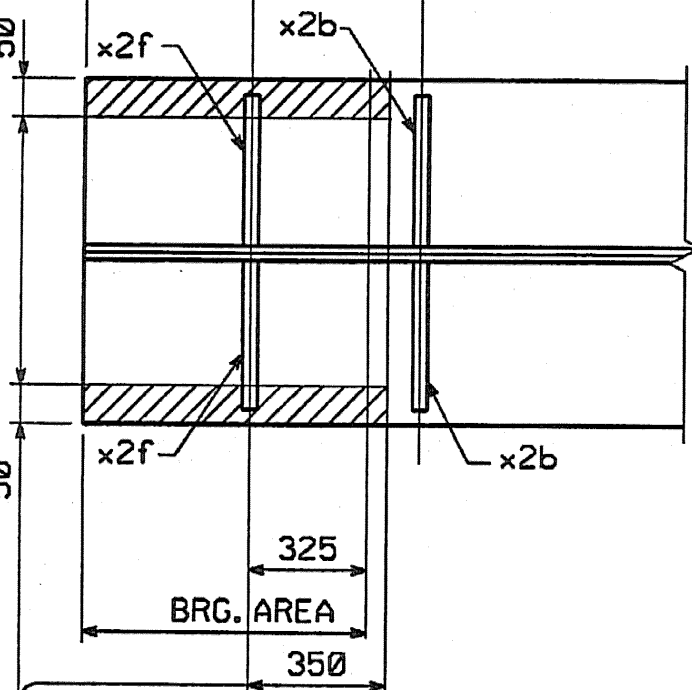
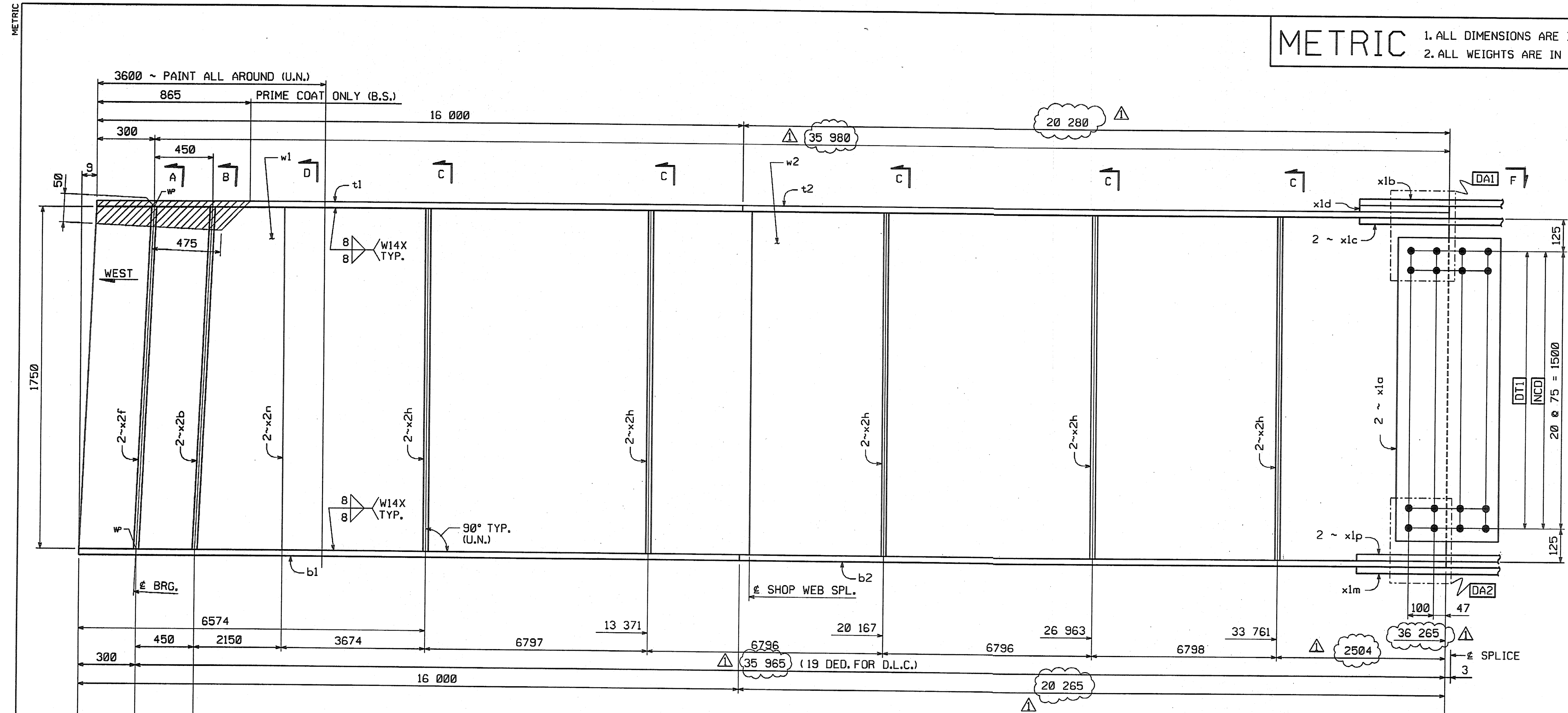
METRIC 1. ALL DIMENSIONS ARE IN MILLIMETERS UNLESS OTHERWISE NOTED.
 2. ALL WEIGHTS ARE IN KILOGRAMS.

FED. ROAD DIV. NO.	STATE	FED. AID PROJ. NO.
	VT	

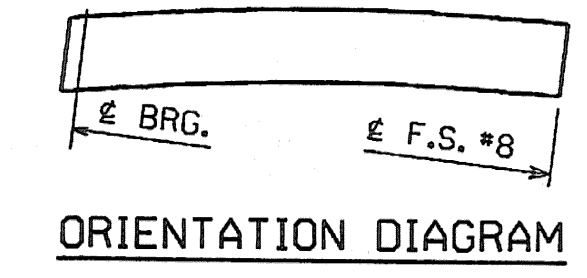
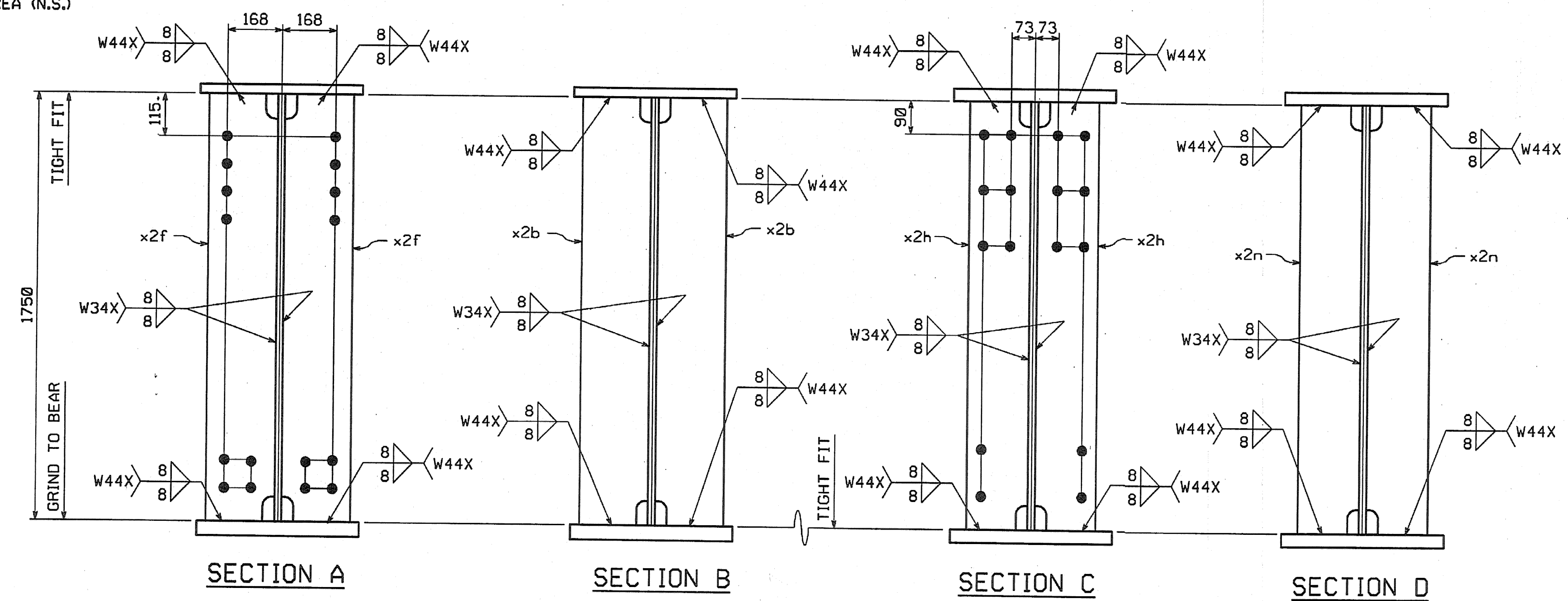
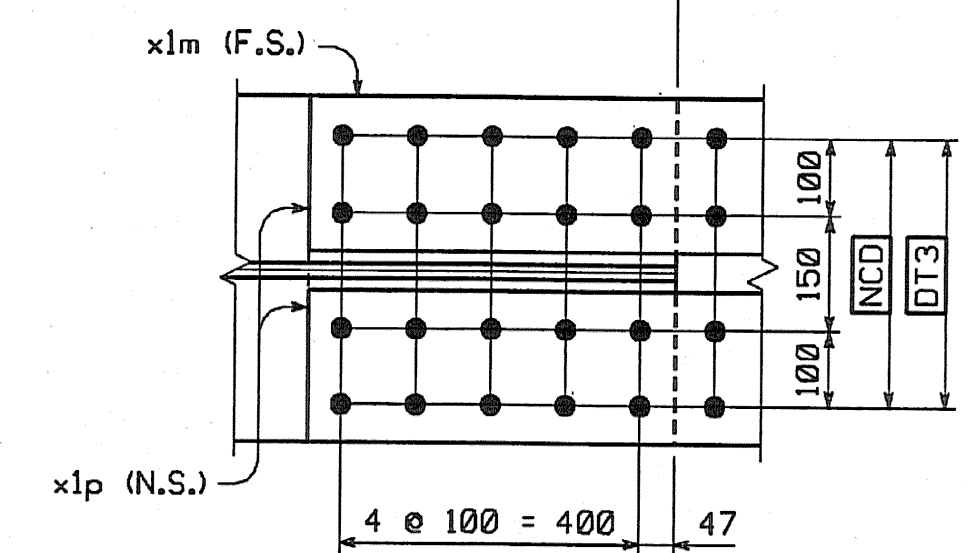
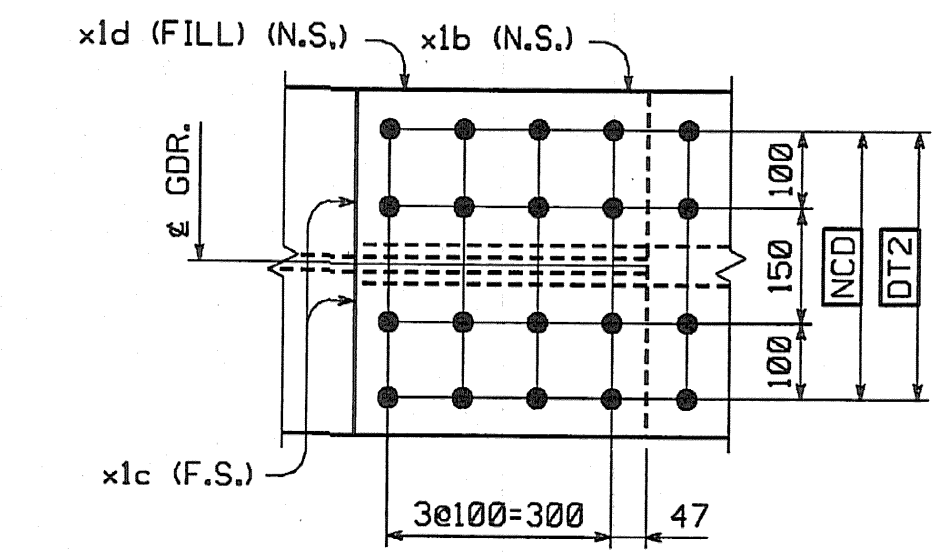
BILL OF MATERIAL							
NO.	MARK	DESCRIPTION	LENGTH	REMARKS	GRP.	ITEM	SHIP. WT. KG. EA.
ONE	G61	GIRDER					16 670
1	w1	PL 16 x 1750	16 307	(T)	3	11	3583.87
1	w2	PL 16 x 1750	19 996	(T)	3	8	4396.06
1	t1	PL 22 x 450	16 001	(T)	4	28	1243.38
1	t2	PL 22 x 450	20 280	(T)	4	27	1575.88
1	b1	PL 40 x 450	16 001	(T)	4	5	2260.68
1	b2	PL 40 x 450	20 265	(T)	4	4	2863.12
2	x1a	PL 12 x 1800	400	(T)	6	1	-60.28
1	x1b	PL 14 x 450	790	(T)	6	6	39.06
2	x1c	PL 16 x 200	790	(T)	6	5	19.84
1	x1d	PL 18 x 450	392	FILL	6	4	24.92
1	x1m	PL 18 x 450	990	(T)	6	3	62.94
2	x1p	PL 20 x 200	990	(T)	6	2	31.08
2	x2b	PL 22 x 200	1750		7	2	60.44
2	x2f	PL 22 x 200	1750		7	2	60.44
10	x2h	PL 12 x 180	1750		7	4	29.67
2	x2n	PL 12 x 180	1750		7	4	29.67

TOTAL WEIGHT THIS SHEET: 46669.11 kgs

7972.70
 1243.44
 1576.06
 2260.80
 2863.12
 120.58
 39.07
 39.69
 24.93
 62.95
 62.17
 120.89
 120.89
 29.67
 59.35



GIRDER ~ G61



SHOP NOTE
 HOLES: 1 5/16"
 BOLTS: NONE
 PAINT: SEE DWG. G61
 FOR GENERAL SHOP NOTES, SEE DWG. G61.
 FOR WEB CAMBER DIAGRAM, SEE DWG. W61.

SHOP DRAWING REVIEW

REVIEWED AS REQUIRED BY THE CONSTRUCTION CONTRACT DOCUMENTS AND APPROVED, BUT ONLY FOR CONFORMANCE TO THE DESIGN CONCEPT OF THE WORK, AND SUBJECT TO FURTHER LIMITATIONS AND REQUIREMENTS CONTAINED IN THE CONSTRUCTION CONTRACT DOCUMENTS.

REJECTED REVISE AND REQUIRMENT FURNISH AS CORRECTED

CORRECTIONS OR COMMENTS MADE ON THE SHOP DRAWINGS DURING THIS REVIEW DO NOT RELIEVE CONTRACTOR FROM COMPLIANCE WITH REQUIREMENTS OF THE DRAWINGS AND SPECIFICATIONS. THIS CHECK IS ONLY FOR REVIEW OF GENERAL CONFORMANCE WITH THE DESIGN CONCEPT OF THE PROJECT AND GENERAL COMPLIANCE WITH THE INFORMATION GIVEN IN THE CONTRACT DOCUMENTS. THE CONTRACTOR IS RESPONSIBLE FOR COORDINATING AND CORRELATING ALL QUANTITIES AND DIMENSIONS, SELECTING FABRICATION PROCEDURES AND TECHNIQUES OF CONSTRUCTION, COORDINATING HIS WORK WITH THAT OF ALL OTHER TRADES, AND PERFORMING HIS WORK IN A SAFE AND SATISFACTORY MANNER.

Vanessa Hanger Crutlin, Inc.
 Engineers, Planners, and Scientists
 One Bedford Farm, Pittsfield
 Bedford, NH 03110 603 944 0568

Job Number: 60911
 Reviewed By: [Signature]
 Date: 11/10/04

NO.	REVISION	BY	DATE
1	INCREASE LENGTHS TO SATISFY REQUIREMENTS FOR LENGTH @ MEAN TEMPERATURE OF 45°F.	JSA	9/17/04

HIGH STEEL STRUCTURES, INC.
 1770 Hempstead Road
 Lancaster, PA 17605-0008
 Phone 717/299-5211
 A Division of High Industries, Inc.

GIRDER G61
 VT 78 OVER MISSISQUOI BAY, BRIDGE NO. 2
 VT 78 STA.10+970.425 TO STA.12+059.775
 TOWNS OF ALBURG AND SWANTON
 COUNTIES OF GRAND ISLE AND FRANKLIN
 STATE OF VERMONT, AGENCY OF TRANSPORTATION

STATE CONTRACT OR REF. NO. BRF-036-1(1)
 CONTRACTOR CIANBRO CORPORATION
 IN CHARGE: GLIDDEN (IH) MADE BY: ERS CHK'D. BY: CS DATE: 8-19-04
 CONTRACT NUMBER: VT-04057-2 DRAWING NUMBER: 34 OF 112

BY: dprinter
 PLOTTED: 9/29/2004 14:53:38 PM