

METRIC

METRIC 1. ALL DIMENSIONS ARE IN MILLIMETERS UNLESS OTHERWISE NOTED.  
2. ALL WEIGHTS ARE IN KILOGRAMS.

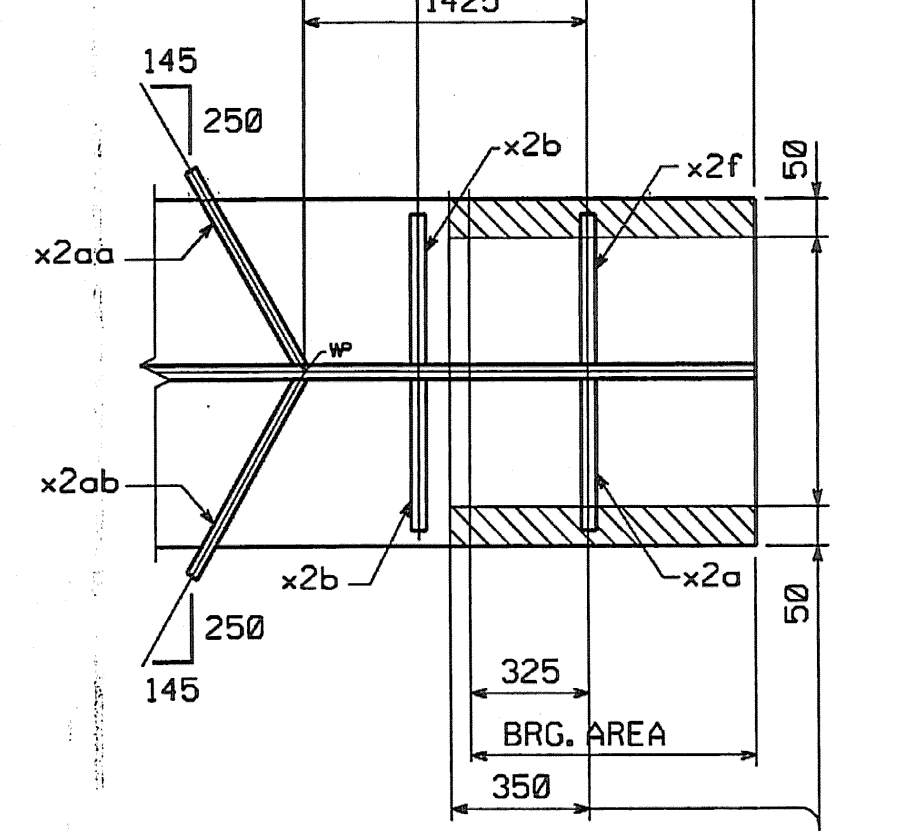
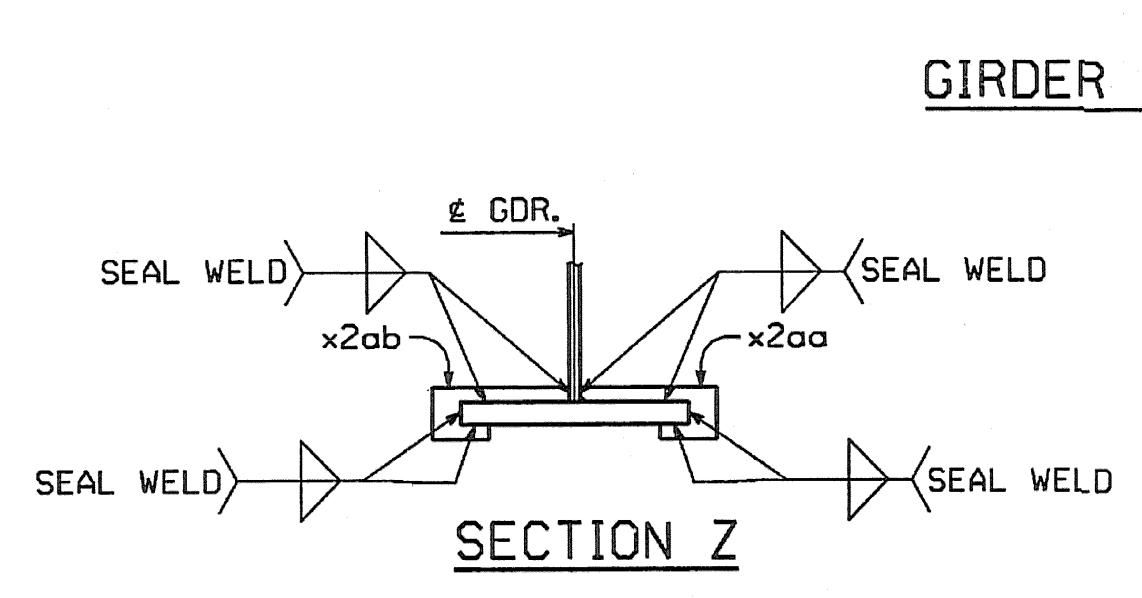
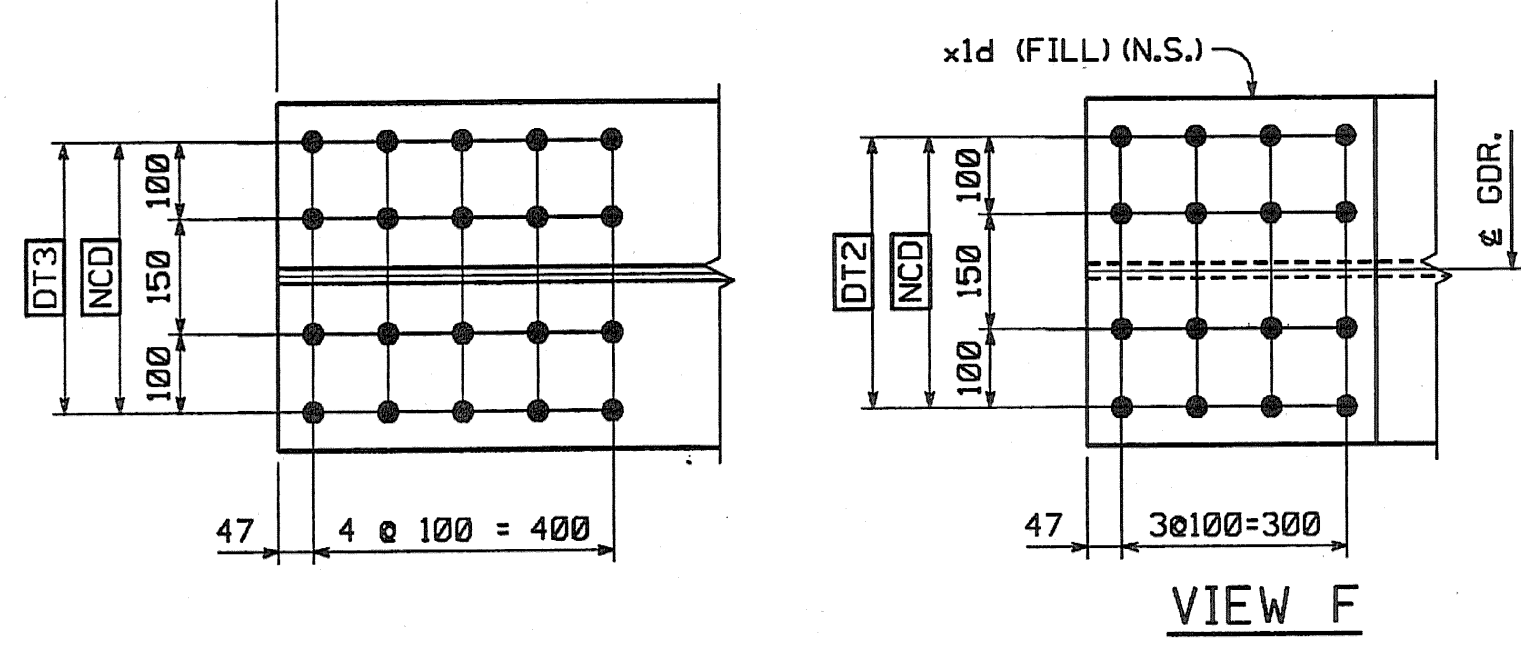
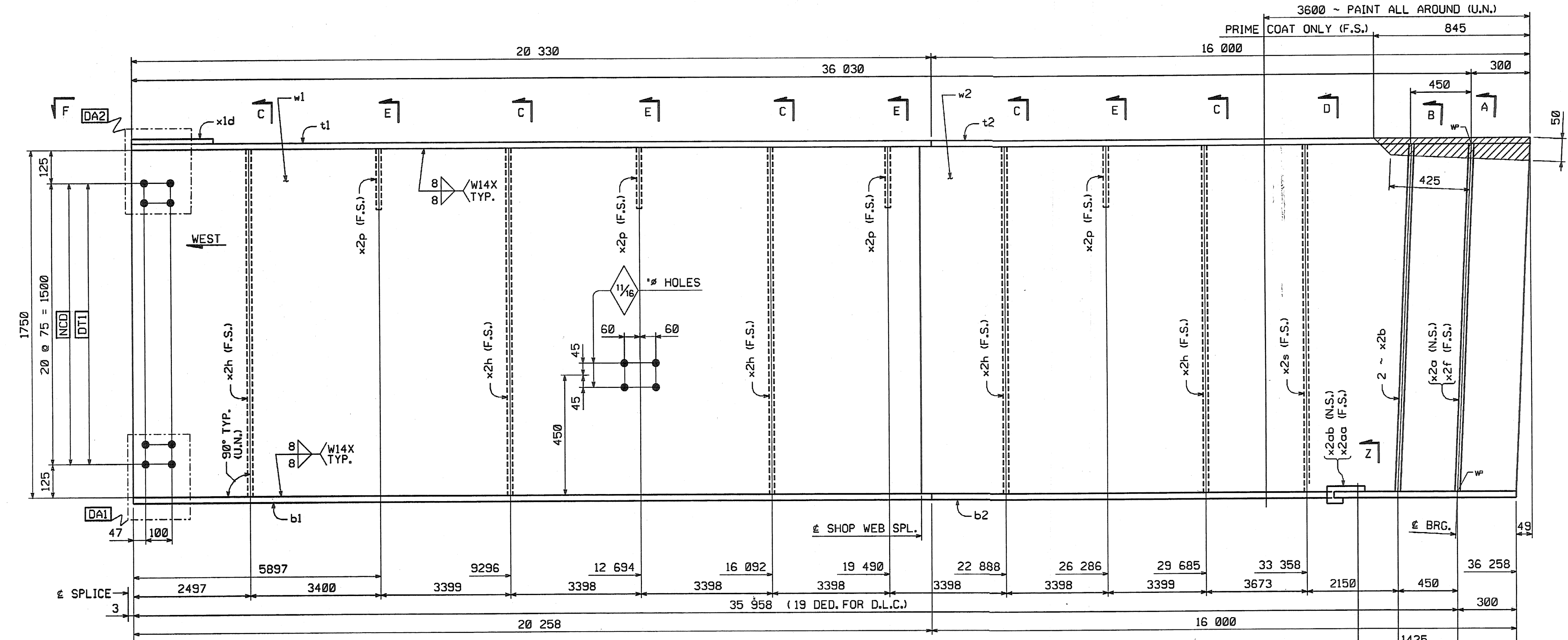
FED. ROAD DIV. NO.	STATE	FED. AID PROJ. NO.
	VT	

BILL OF MATERIAL

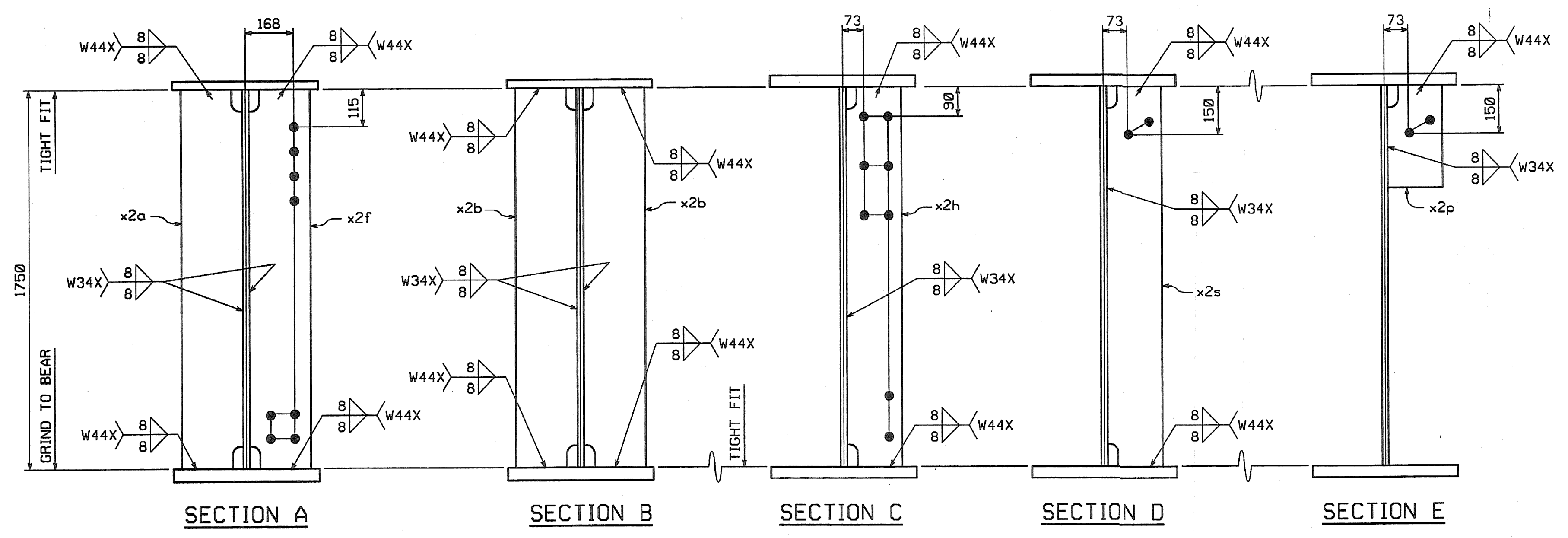
NO.	MARK	DESCRIPTION	LENGTH	REMARKS	GRP.	ITEM	SHIP. WT. KG. EA.
ONE	G4H	GIRDER					16 410
1	w1	PL 16 x 1750	19 989	(T)	3	8	4393.08
1	w2	PL 16 x 1750	16 342	(T)	3	10	3591.56
1	t1	PL 22 x 450	20 331	(T)	4	26	1679.84
1	t2	PL 22 x 450	16 001	(T)	4	28	1248.38
1	b1	PL 40 x 450	20 259	(T)	4	4	2862.27
1	b2	PL 40 x 450	16 001	(T)	4	5	2260.88
1	x1d	PL 18 x 450	392	FILL	6	4	24.92
1	x2a	PL 22 x 200	1750		7	2	60.44
2	x2b	PL 22 x 200	1750		7	2	60.44
1	x2f	PL 22 x 200	1750		7	2	60.44
5	x2h	PL 12 x 180	1750		7	4	29.67
4	x2p	PL 14 x 180	310		7	3	6.13
1	x2s	PL 12 x 180	1750		7	4	29.67
1	x2aa	PL 6 x 90	301		7	5	1.28
1	x2ab	PL 6 x 90	301		7	5	1.28

TOTAL WEIGHT THIS SHEET: 16 402.58 kgs

\* See Sheet 1 of 222 16394.50 / 16394.50 JAT 7-26-06



LIGHT RUST PREVENTIVE COAT OF PRIMER BOTT. OF BOTT. F.L.G., EDGES & SHADED AREA (N.S.)



**SHOP DRAWING REVIEW**

REVIEWED AS REQUIRED BY THE CONSTRUCTION CONTRACT DOCUMENTS AND APPROVED, BUT ONLY FOR CONFORMANCE TO THE DESIGN CONCEPT OF THE WORK, AND SUBJECT TO OTHER LIMITATIONS AND REQUIREMENTS CONTAINED IN THE CONSTRUCTION CONTRACT DOCUMENTS.

DATE: 11/14/04

BY: [Signature]

FOR: [Signature]

SHOP NOTE

- HOLES: 1/16" (U.N.)
- BOLTS: NONE
- PAINT: SEE DWG. GNI
- FOR GENERAL SHOP NOTES, SEE DWG. GNI.
- FOR WEB CAMBER DIAGRAM, SEE DWG. WC2.

NO.	REVISION	BY	DATE

1770 Henswood Road  
Lancaster, PA 17609-0008  
Phone 717/299-5211

**HIGH STEEL STRUCTURES, INC.**

A Division of High Industries, Inc.

GIRDER G4H

VT 78 OVER MISSISSQUOI BAY, BRIDGE NO. 2

VT 78 STA.10+970.425 TO STA.12+059.775

TOWNS OF ALBURG AND SWANTON

COUNTIES OF GRAND ISLE AND FRANKLIN

STATE OF VERMONT, AGENCY OF TRANSPORTATION

STATE CONTRACT OR REF. NO. BR-036-1(1)

CONTRACTOR CIAMBRO CORPORATION

IN CHARGE: GLIDDEN (IH) MADE BY: SSJ CHK'D BY: CS DATE: 8-19-04

CONTRACT NUMBER: VT-04057-1 DRAWING NUMBER: 32 OF 112