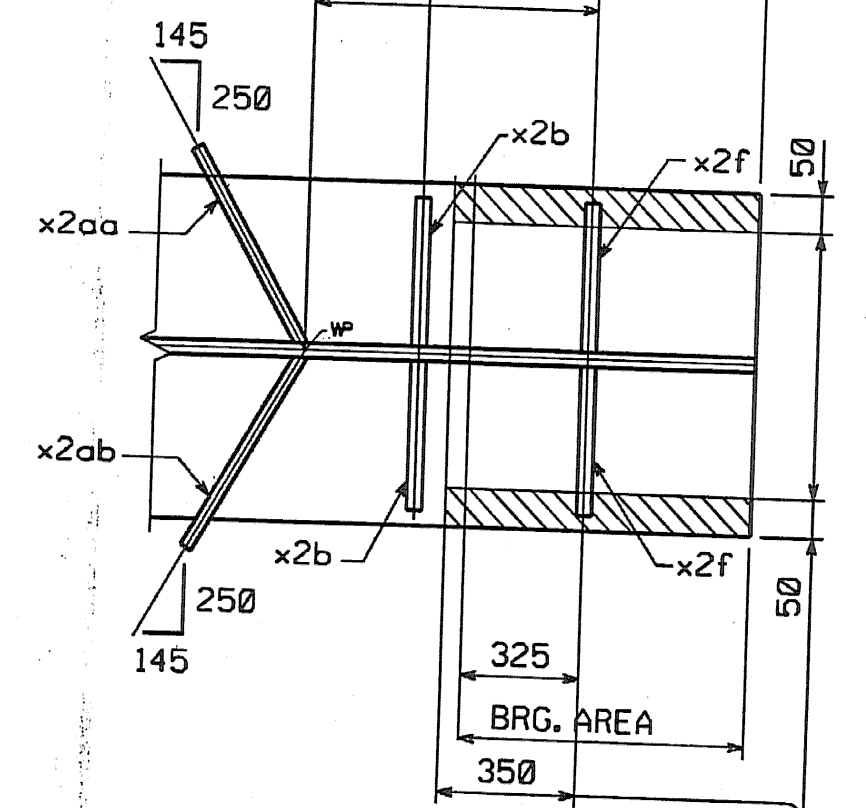
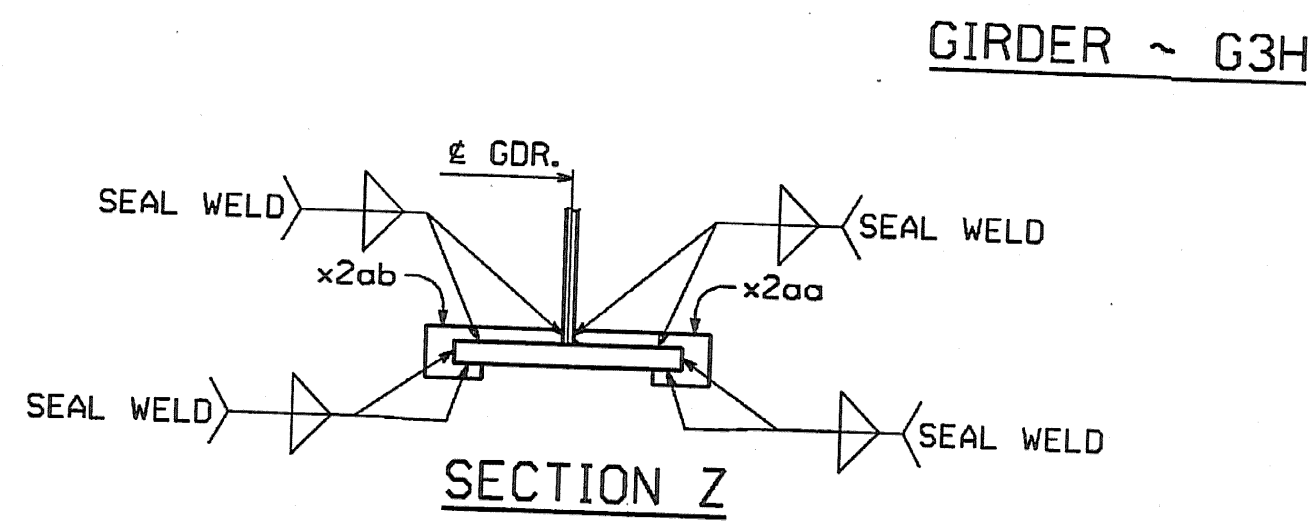
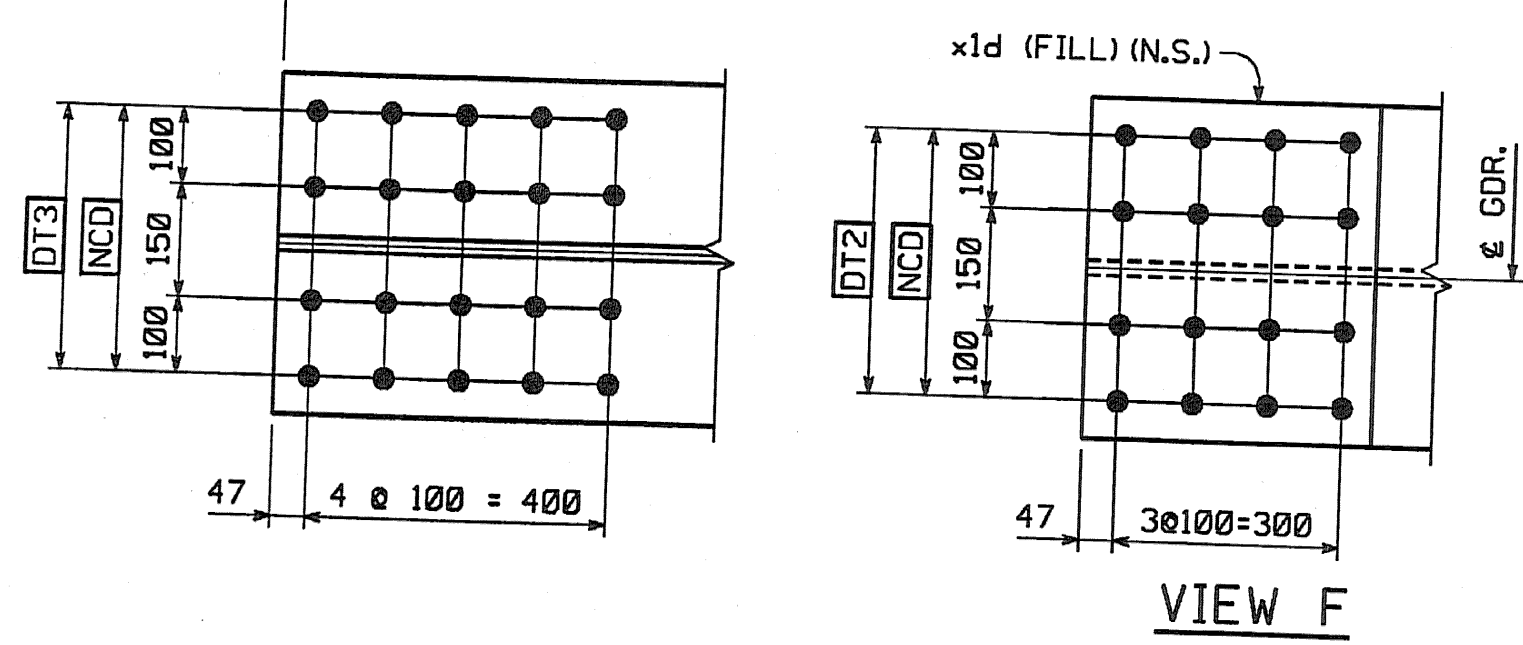
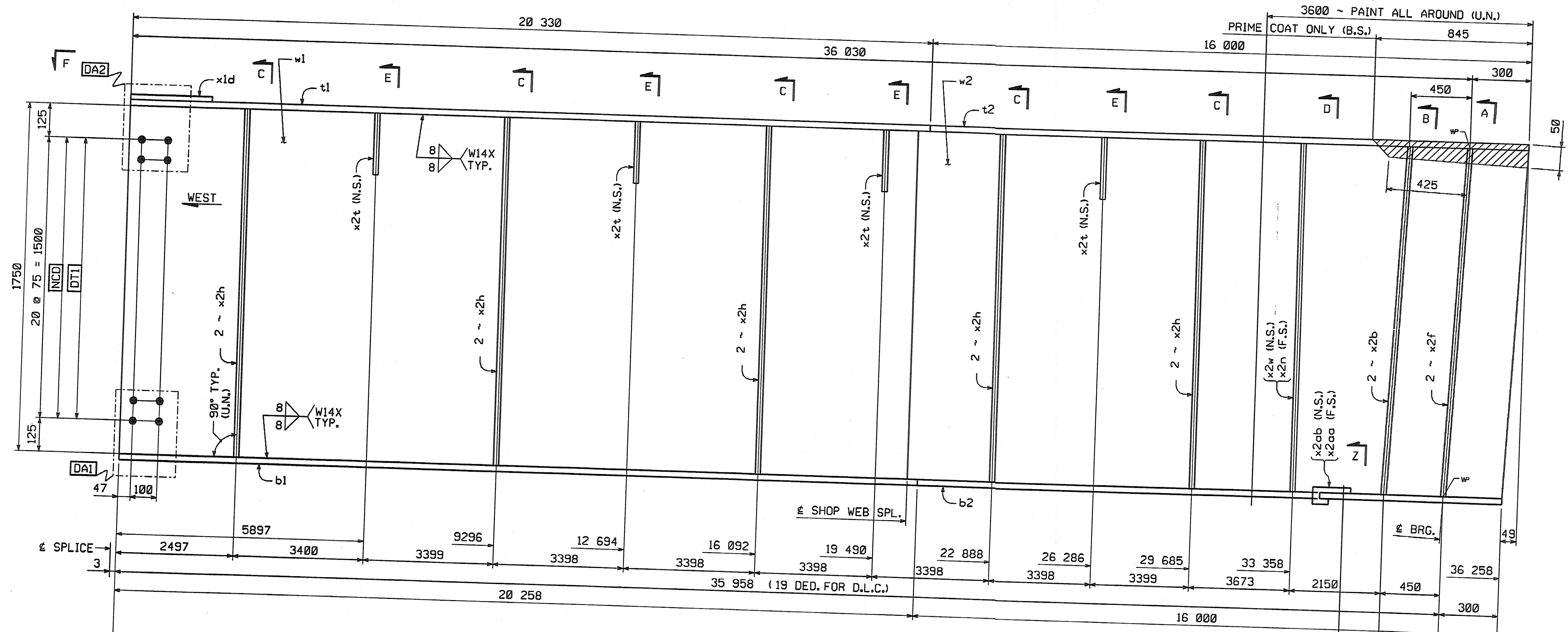


**METRIC** 1. ALL DIMENSIONS ARE IN MILLIMETERS UNLESS OTHERWISE NOTED.  
 2. ALL WEIGHTS ARE IN KILOGRAMS.

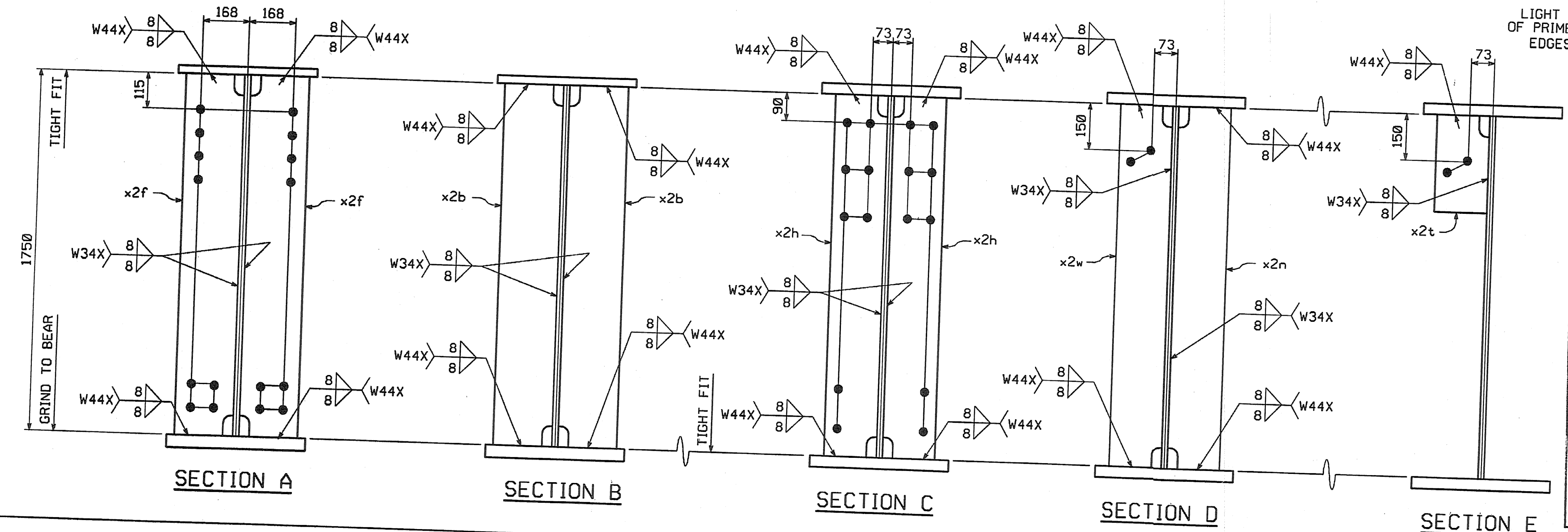
FED. ROAD DIV. NO.	STATE	FED. AID PROJ. NO.
	VT	

BILL OF MATERIAL										
NO.	MARK	DESCRIPTION	LENGTH	REMARKS	GRP.	ITEM	SNIP WT. KG. EA.			
ONE	G3H	GIRDER					16 590			
1	w1	PL 16 x 1750	19 989	(T)		3 8	4393.08			
1	w2	PL 16 x 1750	16 342	(T) 20294		3 10	3591.56	7977.42		
1	t1	PL 22 x 450	20 331	(T) 20230		4 26	1579.84	1579.84		
1	t2	PL 22 x 450	16 001	(T) 16000		4 28	1243.38	1243.44		
1	b1	PL 40 x 450	20 259	(T) 20258		4 4	2862.27	2862.46		
1	b2	PL 40 x 450	16 001	(T) 16000		4 5	2280.88	2280.80		
1	x1d	PL 18 x 450	392	FILL		6 4	24.92	24.93		
2	x2b	PL 22 x 200	1 750			7 2	60.44	120.89		
2	x2f	PL 22 x 200	1 750			7 2	60.44	120.89		
10	x2h	PL 12 x 180	1 750			7 4	29.67	296.73		
1	x2n	PL 12 x 180	1 750			7 4	29.67	29.67		
4	x2t	PL 14 x 180	310			7 3	8.13	24.53		
1	x2w	PL 12 x 180	1 750			7 4	29.67	29.67		
1	x2aa	PL 6 x 90	301	VOL = 72150		7 5	4.28	0.57		
1	x2ab	PL 6 x 90	301			7 5	4.28	0.57		
<b>TOTAL WEIGHT THIS SHEET:</b>							<b>16 580.59</b>	<b>kg</b>		

\*See sheet 1 of 112  
 16572.52 kg JMR 7-26-06



**SHOP NOTE**  
 HOLES: 1 5/16"  
 BOLTS: NONE  
 PAINT: SEE DWG. GNI  
 FOR GENERAL SHOP NOTES, SEE DWG. GNI.  
 FOR WEB CAMBER DIAGRAM, SEE DWG. WC2.



**SHOP DRAWING REVIEW**

REVIEWED AS REQUIRED BY THE CONTRACTOR CONTRACT DOCUMENTS AND APPROVED, BUT ONLY FOR CONFORMANCE TO THE DESIGN CONCEPT OF THE WORK, AND SUBJECT TO THE LIMITATIONS AND REQUIREMENTS CONTAINED IN THE CONTRACT DOCUMENTS.

DESIGNED BY: [Signature]

DATE: 11/18/04

Job Number: 50211  
 Reviewed By: [Signature]  
 Date: 11/18/04

NO.	REVISION	BY	DATE

**HIGH STEEL STRUCTURES, INC.**  
 1770 Hempstead Road  
 Lancaster, PA 17605-0008  
 Phone 717/299-5211  
 A Division of High Industries, Inc.

**GIRDER G3H**

VT 78 OVER MISSISSQUOI BAY, BRIDGE NO. 2  
 VT 78 STA.10+970.425 TO STA.12+059.775  
 TOWNS OF ALBURG AND SWANTON  
 COUNTIES OF GRAND ISLE AND FRANKLIN  
 STATE OF VERMONT, AGENCY OF TRANSPORTATION

STATE CONTRACT OR REF. NO.: BRF-036-1(1)

CONTRACTOR: CIAMBRO CORPORATION

IN CHARGE: GLIDDEN (H) MADE BY: SSL CHK'D. BY: CS DATE: 8-19-04

CONTRACT NUMBER: VT-04057-1 DRAWING NUMBER: 31 OF 112

BY: cshaffer  
 PLOTTED: 08/26/2004 07:55:10 AM

CODE:30