

METRIC

1. ALL DIMENSIONS ARE IN MILLIMETERS UNLESS OTHERWISE NOTED.
2. ALL WEIGHTS ARE IN KILOGRAMS.

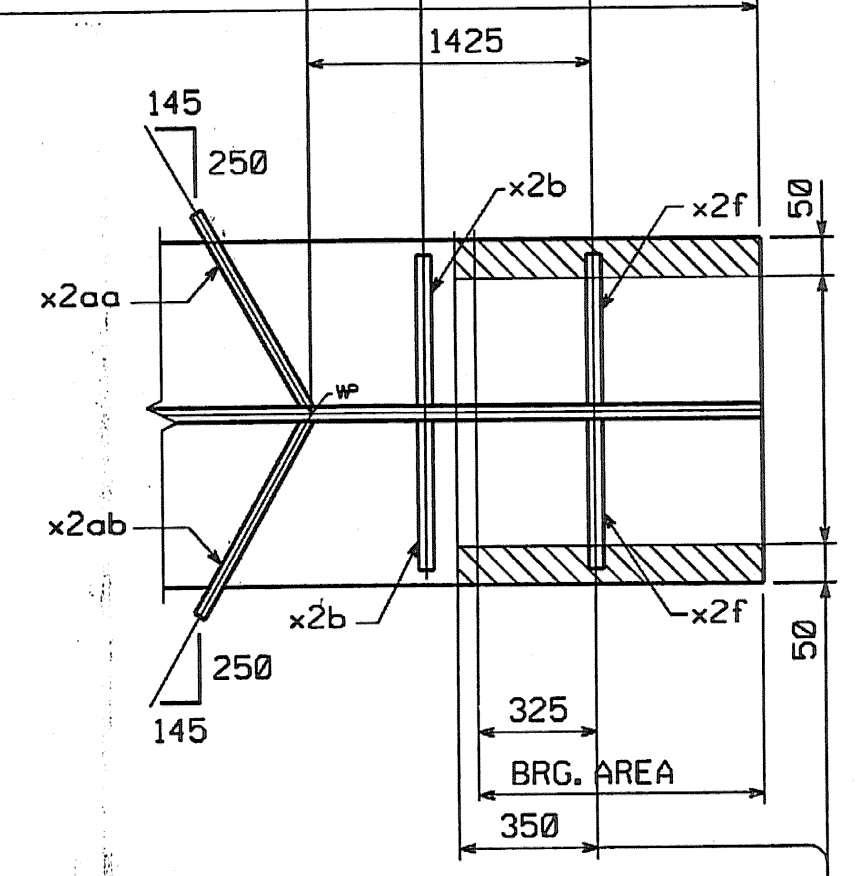
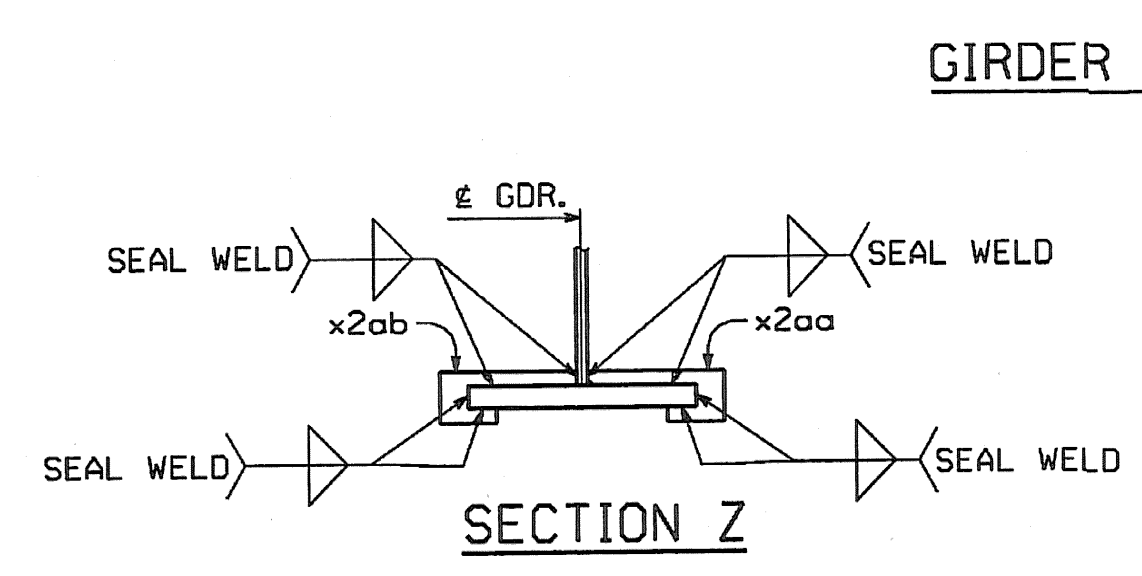
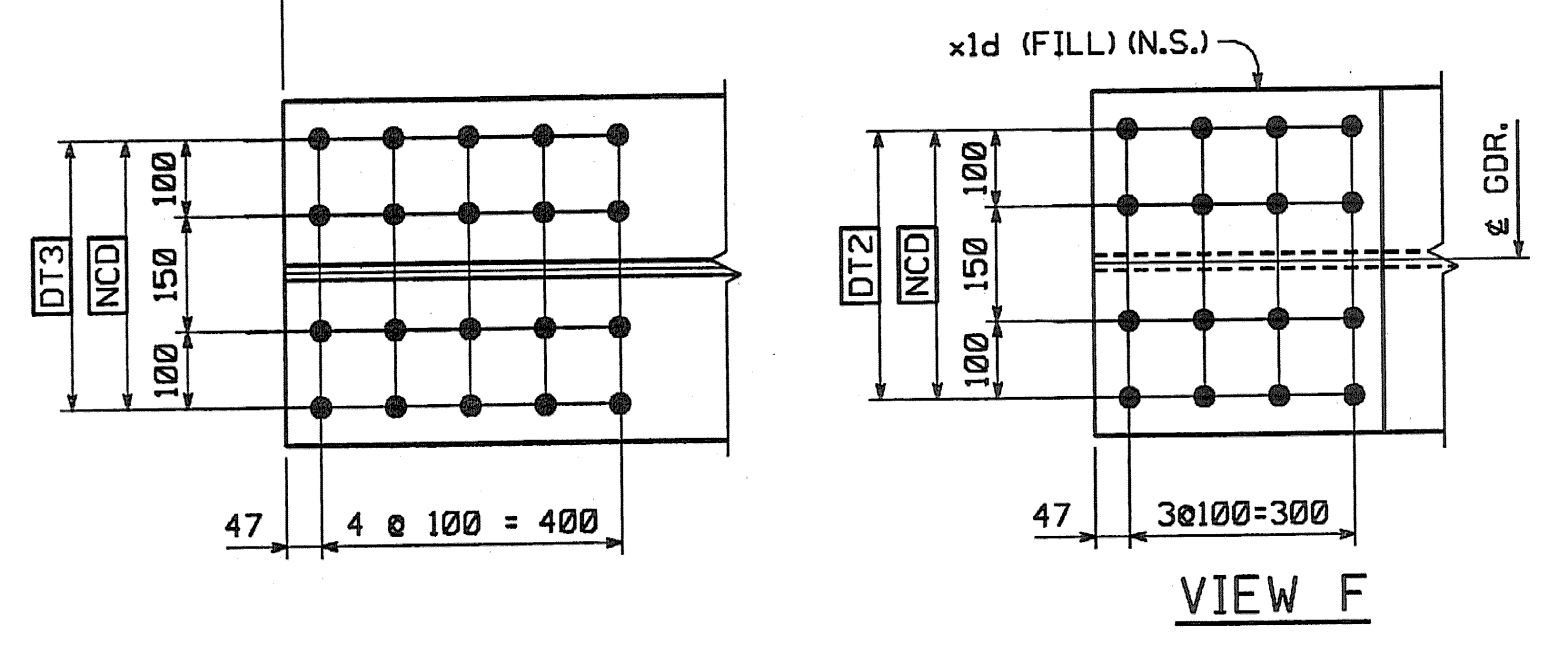
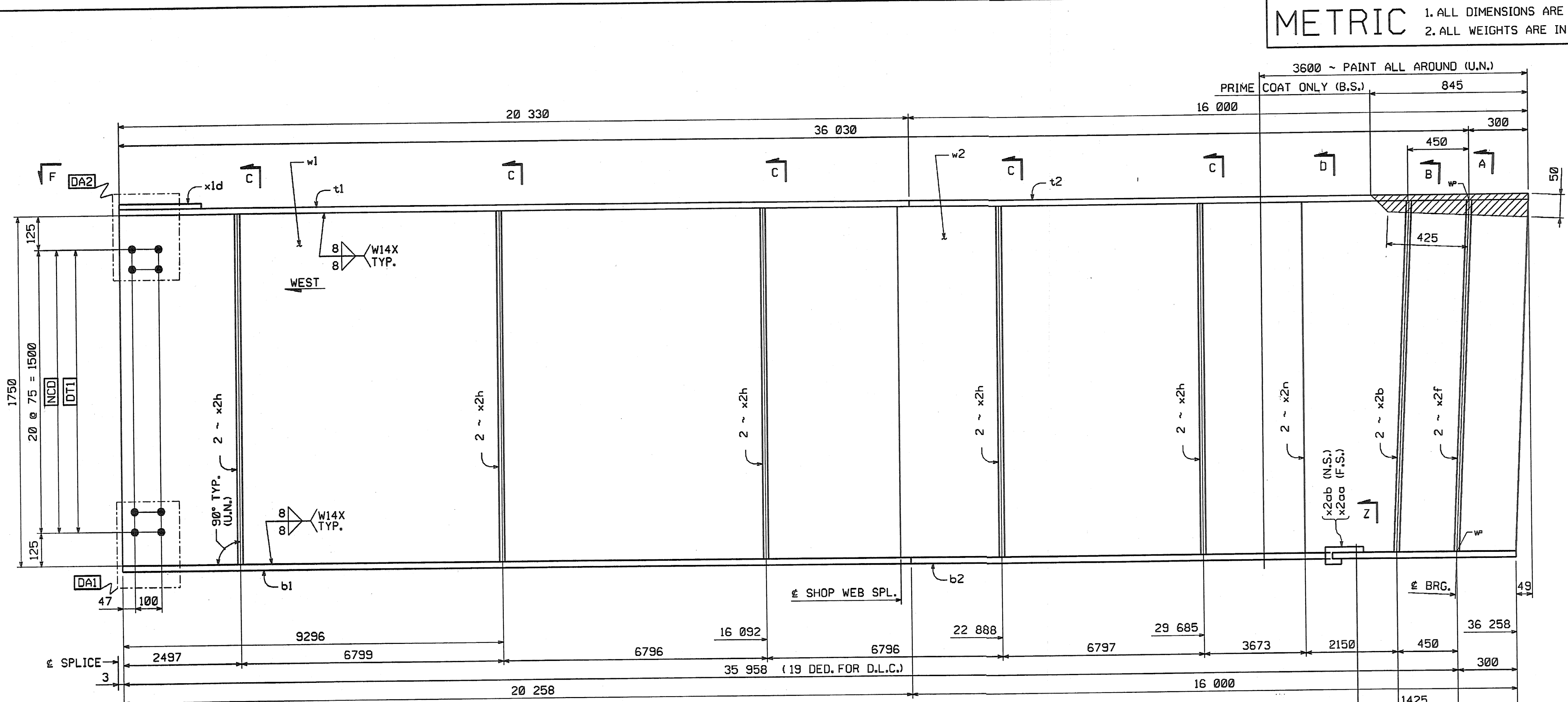
FED. ROAD DIV. NO.	STATE	FED. AID PROJ. NO.
	VT	

BILL OF MATERIAL

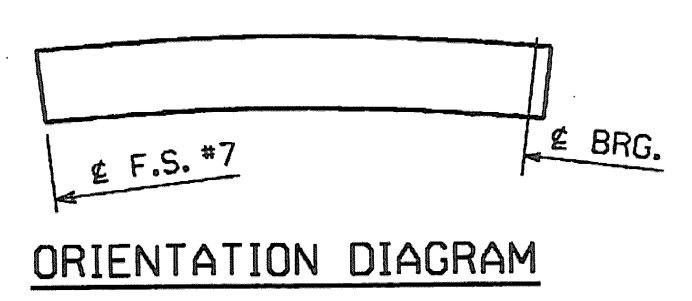
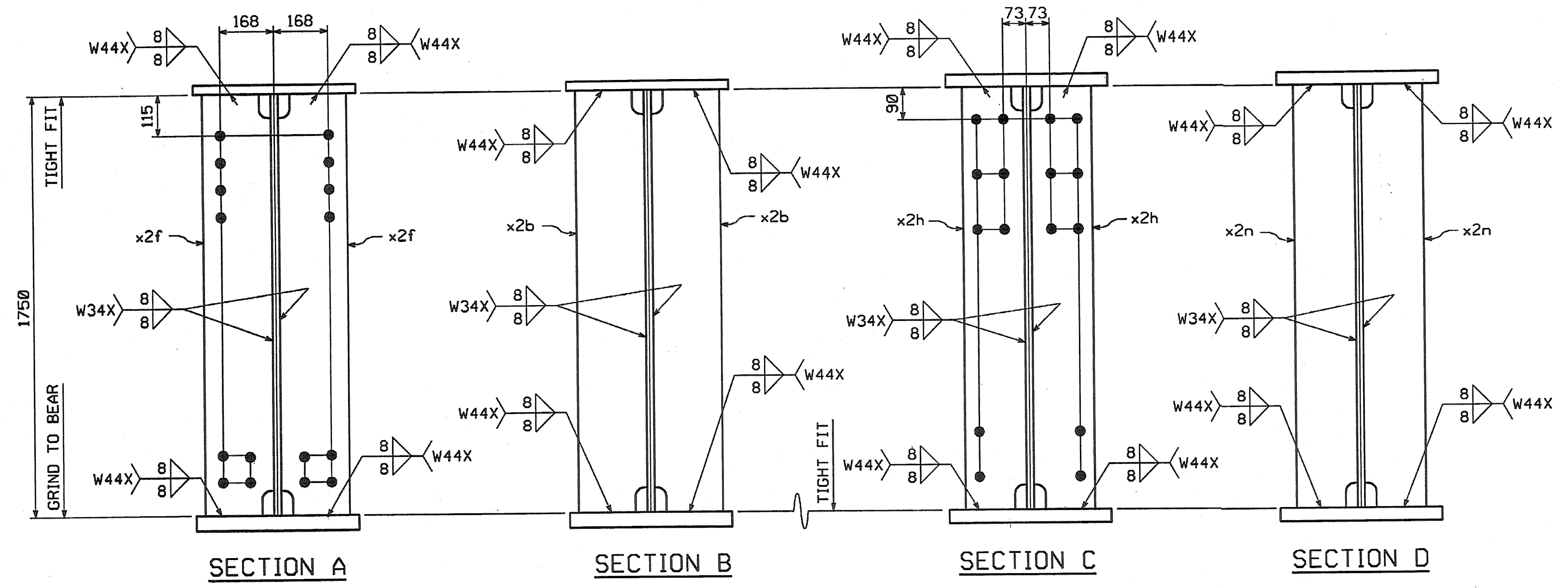
NO.	MARK	DESCRIPTION	LENGTH	REMARKS	GRP.	ITEM	SHIP. WT. KG. EA.
ONE	G2H	GIRDER					16 560
1	w1	PL 16 x 1750	19 989	(T)	3	8	4393.08
1	w2	PL 16 x 1750	16 342	(T)	3	10	9591.56
1	t1	PL 22 x 450	20 330	(T)	4	26	1579.84
1	t2	PL 22 x 450	16 001	(T)	4	28	1243.38
1	b1	PL 40 x 450	29 259	(T)	4	4	2862.27
1	b2	PL 40 x 450	16 001	(T)	4	5	2280.68
1	x1d	PL 18 x 450	392	FILL	6	4	24.92
2	x2b	PL 22 x 200	1 750		7	2	60.44
2	x2f	PL 22 x 200	1 750		7	2	60.44
10	x2h	PL 12 x 180	1 750		7	4	29.87
2	x2n	PL 12 x 180	1 750		7	4	29.87
1	x2aa	PL 6 x 90	301	VOL = 7215mm ³	7	5	1.28
1	x2ab	PL 6 x 90	301		7	5	1.28
TOTAL WEIGHT THIS SHEET:							16 566.07 kgs

7977.42
1579.84
2862.27
2280.68
24.92
120.89
120.89
296.73
59.35
0.57
0.57
16548.00 kg JMR
7-26-06

* See Sheet 1 of 112



LIGHT RUST PREVENTIVE COAT OF PRIMER BOT. OF BOT. FLG., EDGES & SHADED AREA (N.S.)



SHOP NOTE
HOLES: 1 5/16" (U.N.)
BOLTS: NONE
PAINT: SEE DWG. GNI FOR GENERAL SHOP NOTES, SEE DWG. GNI FOR WEB CAMBER DIAGRAM, SEE DWG. WC2.

SHOP DRAWING REVIEW

REVIEWED AS REQUIRED BY THE CONSTRUCTION CONTRACT DOCUMENTS AND APPROVED, BUT ONLY FOR CONFORMANCE TO THE DESIGN CONCEPT OF THE WORK, AND SUBJECT TO FURTHER LIMITATIONS AND REQUIREMENTS CONTAINED IN THE CONSTRUCTION CONTRACT DOCUMENTS.

REJECTED REVISE AND RESUBMIT FURNISH AS CORRECTED

CORRECTIONS OR COMMENTS MADE ON THE SHOP DRAWINGS DURING THIS REVIEW DO NOT RELIEVE CONTRACTOR FROM COMPLIANCE WITH REQUIREMENTS OF THE DRAWINGS AND SPECIFICATIONS. THIS CHECK IS ONLY FOR REVIEW OF GENERAL CONFORMANCE WITH THE DESIGN CONCEPT OF THE PROJECT AND GENERAL COMPLIANCE WITH THE INFORMATION GIVEN IN THE CONTRACT DOCUMENTS. THE CONTRACTOR IS RESPONSIBLE FOR CORRECTING AND CORRELATING ALL DIMENSIONS AND DIMENSIONS, SELECTING FABRICATION PROCESSES AND TECHNIQUES OF CONSTRUCTION, COORDINATING HIS WORK WITH THAT OF ALL OTHER TRADES, AND PERFORMING HIS WORK IN A SAFE AND SATISFACTORY MANNER.

Reviewed By: JMR
Date: 7-26-06

NO.	REVISION	BY	DATE

1770 Hempstead Road
Lancaster, PA 17605-0008
Phone 717/299-5211

HIGH STEEL STRUCTURES, INC.
A Division of High Industries, Inc.

GIRDER G2H
VT 78 OVER MISSISSQUOI BAY, BRIDGE NO. 2
VT 78 STA.10+970.425 TO STA.12+059.775
TOWNS OF ALBURG AND SWANTON
COUNTIES OF GRAND ISLE AND FRANKLIN
STATE OF VERMONT, AGENCY OF TRANSPORTATION

STATE CONTRACT OR REF. NO.: BRF-036-1(1)
CONTRACTOR CIAMBRO CORPORATION
IN CHARGE: GLIDDEN (IH) MADE BY: SSL CHK'D: GS DATE: 8-19-04
CONTRACT NUMBER: VT-04057-1 DRAWING NUMBER: 30 OF 112