

METRIC

1. ALL DIMENSIONS ARE IN MILLIMETERS UNLESS OTHERWISE NOTED.
2. ALL WEIGHTS ARE IN KILOGRAMS.

FED. ROAD DIV. NO.	STATE	FED. AID PROJ. NO.
	VT	

BILL OF MATERIAL

NO.	MARK	DESCRIPTION	LENGTH	REMARKS	GRP.	ITEM	SHIP. WT. KG. EA.
ONE	G1H	GIRDER					16 380
1	w1	PL 16 x 1750	19 989 (T)		3	8	4393.08
1	w2	PL 16 x 1750	16 342 (T)	36294	3	10	3694.56
1	t1	PL 22 x 450	20 391 (T)	20230	4	26	4579.84
1	t2	PL 22 x 450	16 001 (T)	16000	4	28	4243.38
1	b1	PL 40 x 450	29 259 (T)	20253	4	4	2862.27
1	b2	PL 40 x 450	16 001 (T)	16000	4	5	2280.68
1	x1d	PL 18 x 450	392	FILL	6	4	24.92
1	x2a	PL 22 x 200	1750		7	2	60.44
2	x2b	PL 22 x 200	1750		7	2	60.44
1	x2f	PL 22 x 200	1750		7	2	60.44
5	x2h	PL 12 x 180	1750		7	4	29.67
1	x2m	PL 12 x 180	1750		7	4	29.67
1	x2aa	PL 6 x 90	301	Vol = 72150 mm ³	7	5	4.28
1	x2ab	PL 6 x 90	301		7	5	4.28

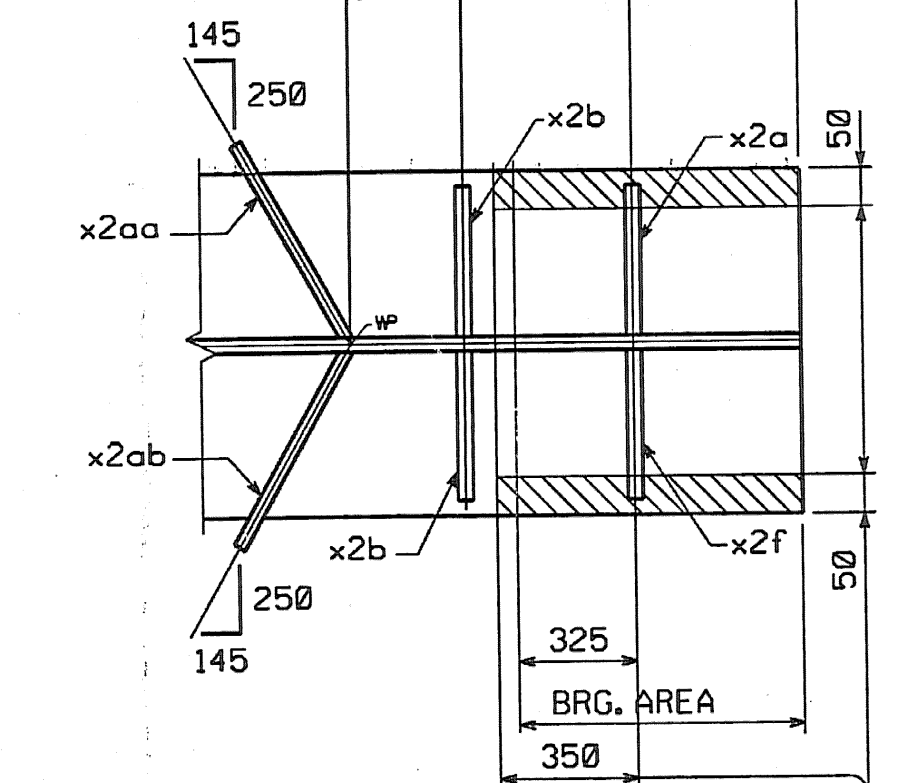
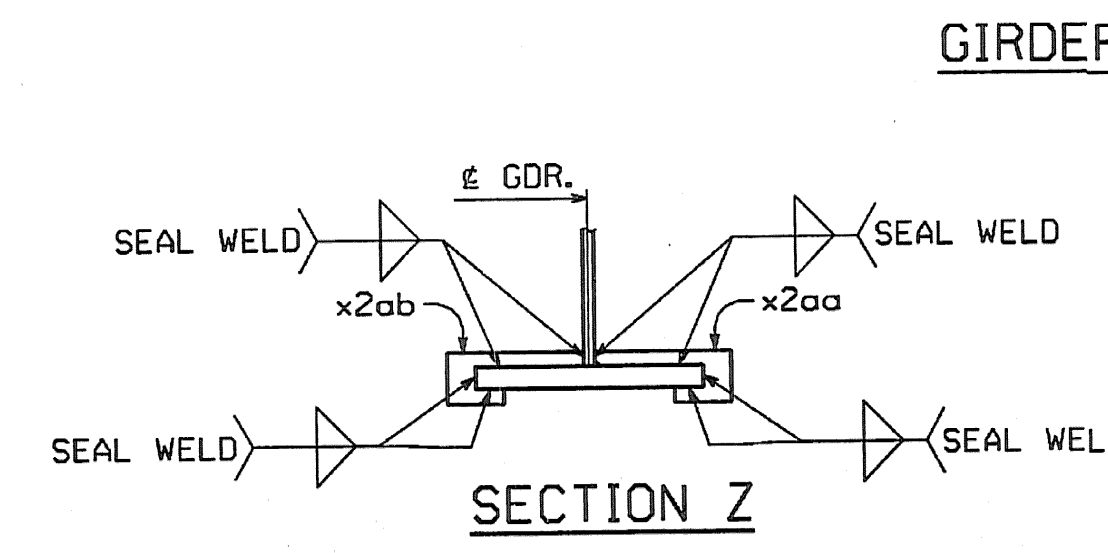
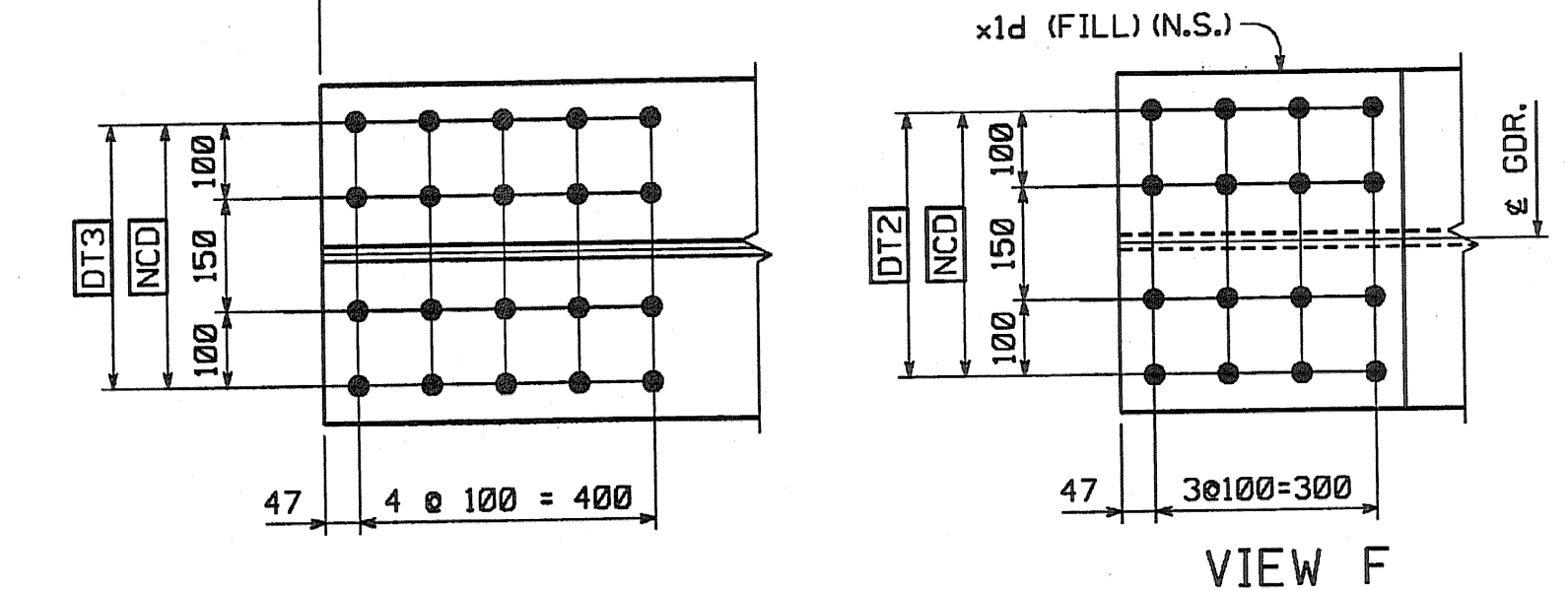
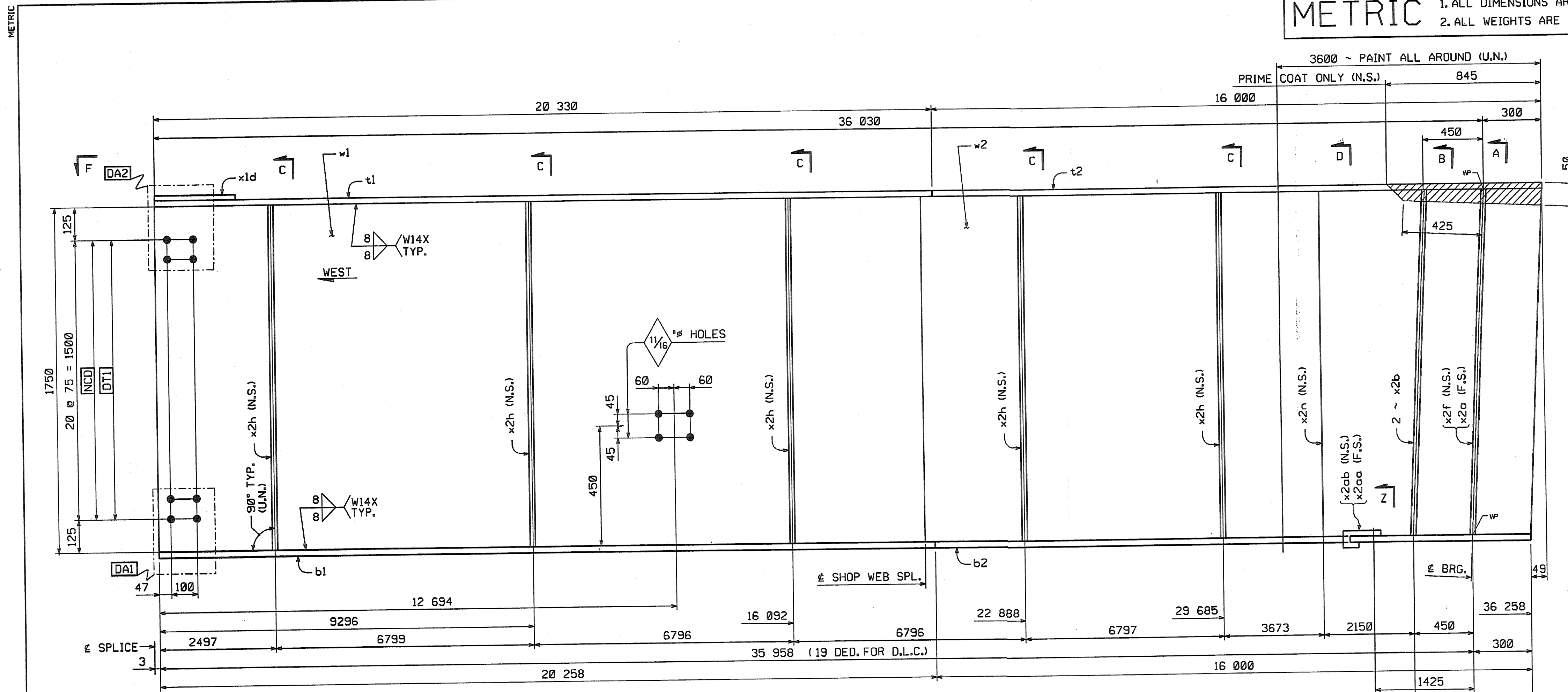
TOTAL WEIGHT THIS SHEET: 16 378.05 kgs

* See Sheet 65112 (6369.97 kg) JMR 7-26-06

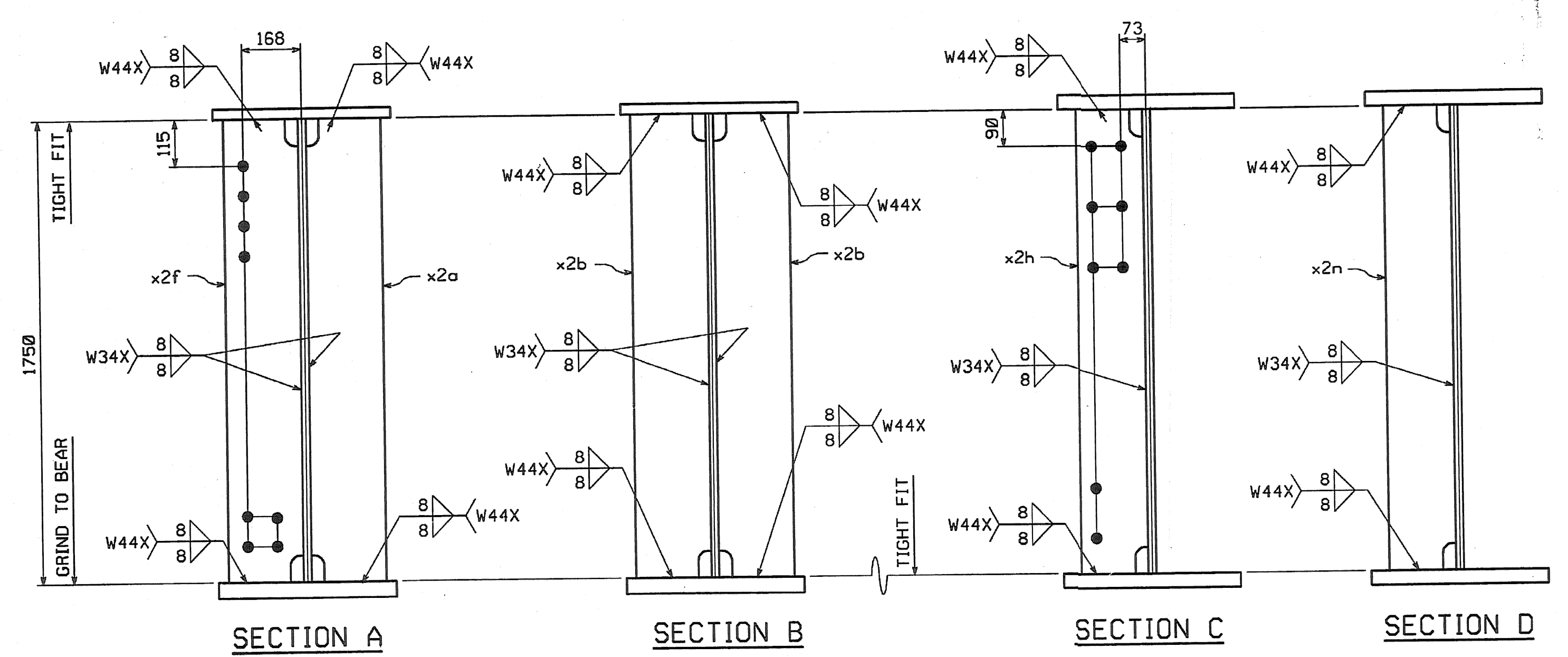
7977.42
15 79.95
1243.44
2862.46
2280.68

24.92
60.44
120.89
60.44
148.37

0.57
0.57



LIGHT RUST PREVENTIVE COAT OF PRIMER BOTT. OF BOTT. FLG., EDGES & SHADED AREA (N.S.)



SHOP NOTE
HOLES: 1 5/16" (U.N.)
BOLTS: NONE
PAINTS: SEE DWG. GNI
FOR GENERAL SHOP NOTES, SEE DWG. GNI.
FOR WEB CAMBER DIAGRAM, SEE DWG. WC2.

SHOP DRAWING REVIEW

REVIEWED AS REQUIRED BY THE CONSTRUCTION CONTRACT INDENTURES AND APPROVED, BUT ONLY FOR CONFORMANCE TO THE DESIGN CONCEPT OF THE WORK, AND SUBJECT TO ANY OTHER LIMITATIONS AND REQUIREMENTS CONTAINED IN THE CONSTRUCTION CONTRACT DOCUMENTS.

REJECTED REVISE AND RESUBMIT FORWASH AS INDICATED

CORRECTIONS OR COMMENTS MADE ON THE SHOP DRAWINGS DURING THE REVIEW DO NOT RELIEVE CONTRACTOR FROM COMPLIANCE WITH REQUIREMENTS OF THE SPECIFICATIONS AND SPECIFICATIONS. THIS CHECK IS ONLY FOR REVIEW OF GENERAL CONFORMANCE WITH THE DESIGN CONCEPT OF THE PROJECT AND GENERAL COMPLIANCE WITH THE INFORMATION GIVEN IN THE CONTRACT DOCUMENTS. THE CONTRACTOR IS RESPONSIBLE FOR CORRECTING AND CORRECTING ALL QUANTITIES AND DIMENSIONS, SELECTING FABRICATION PROCESSES AND TECHNIQUES OF CONSTRUCTION, COORDINATING HIS WORK WITH THAT OF ALL OTHER TRADES, AND PERFORMING HIS WORK IN A SAFE AND SATISFACTORY MANNER.

Vanessa Hengen Exum, Inc.
Engineers, Planners, and Scientists
Six Shelburne Farms, Kelton Rd.
Burlington, VT 05410 802.644.0280

Job Number: 58911
Reviewed By: *[Signature]*
Date: 11/1/04

NO.	REVISION	BY	DATE

1770 Hempstead Road
Lancaster, PA 17605-0008
Phone 717/299-5211

HIGH STEEL STRUCTURES, INC.
A Division of High Industries, Inc.

GIRDER G1H
VT 78 OVER MISSISQUOI BAY, BRIDGE NO. 2
VT 78 STA.10+970.425 TO STA.12+059.775
TOWNS OF ALBURG AND SWANTON
COUNTIES OF GRAND ISLE AND FRANKLIN
STATE OF VERMONT, AGENCY OF TRANSPORTATION

STATE CONTRACT OR REF. NO. BRF-036-1(1)

CONTRACTOR CIAMBRO CORPORATION
IN CHARGE: GLIDDEN (IH) MADE BY: SSL CHK'D. BY: CS DATE: 8-18-04

CONTRACT NUMBER: VT-04057-1 DRAWING NUMBER: 29 OF 112

METRIC
1
2
BY: castoff
PLOTTED: 09/26/2004 07:55:04 AM