

METRIC

1. ALL DIMENSIONS ARE IN MILLIMETERS UNLESS OTHERWISE NOTED.
2. ALL WEIGHTS ARE IN KILOGRAMS.

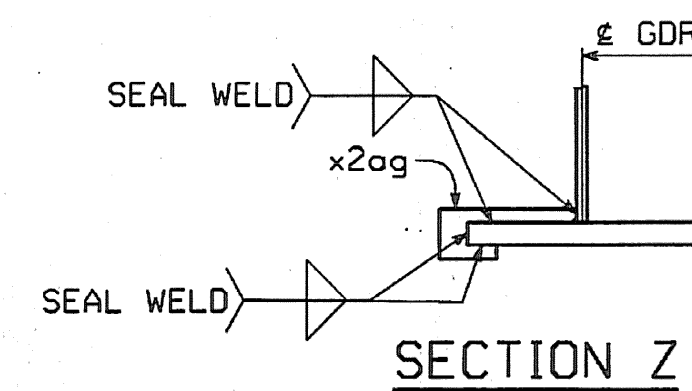
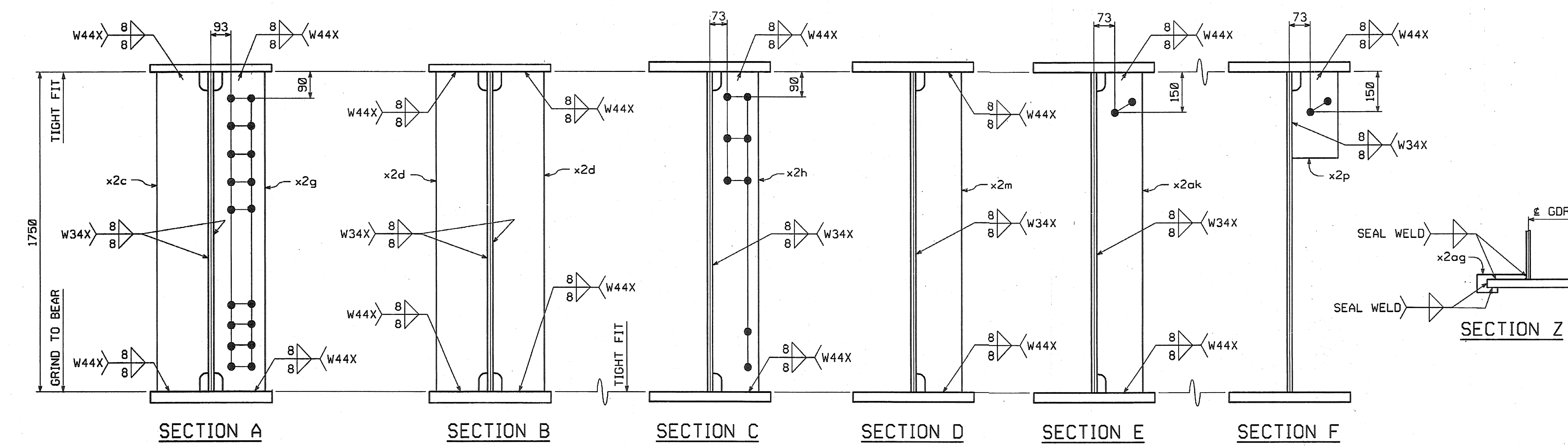
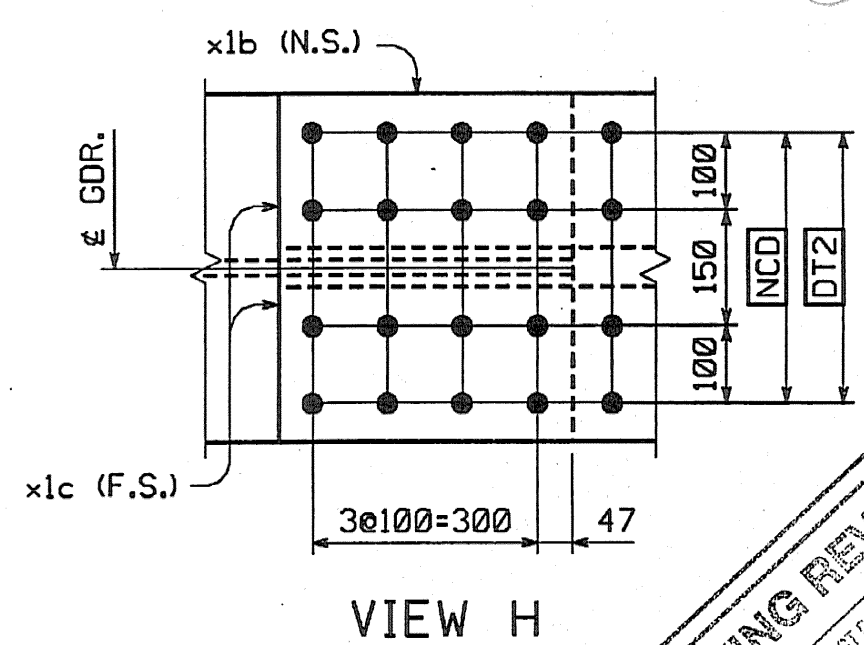
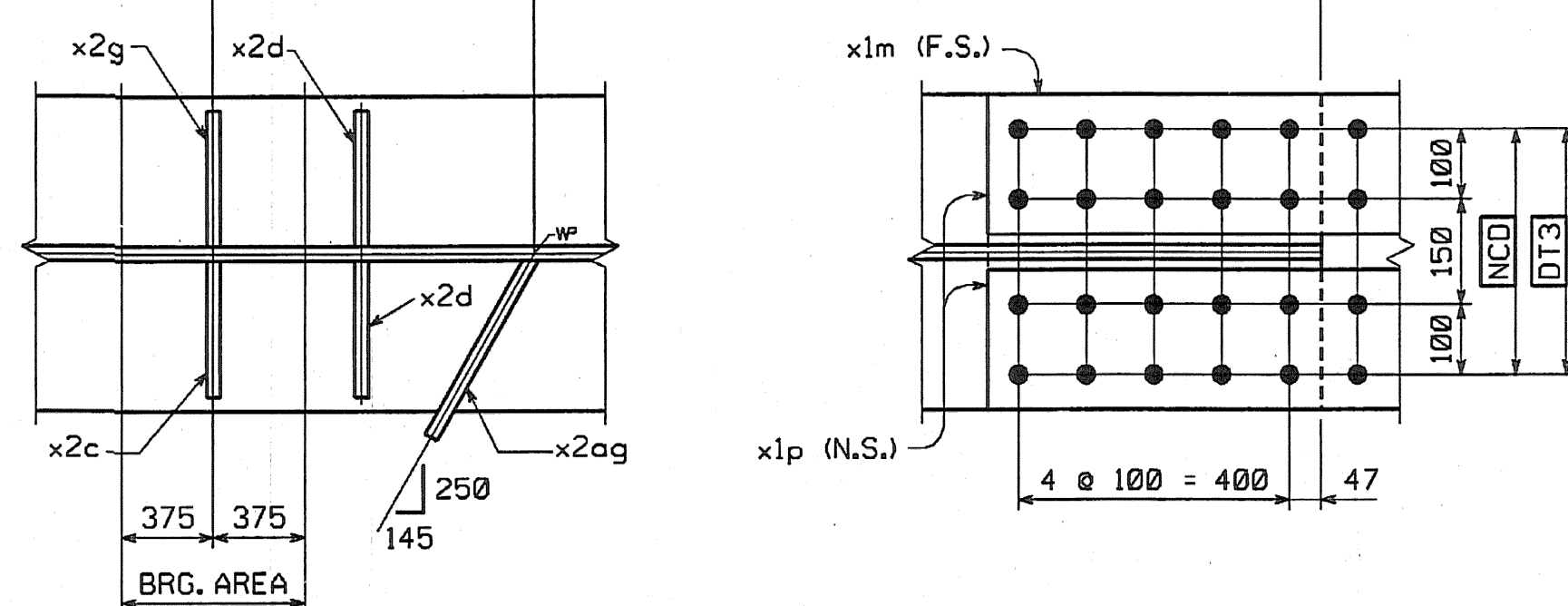
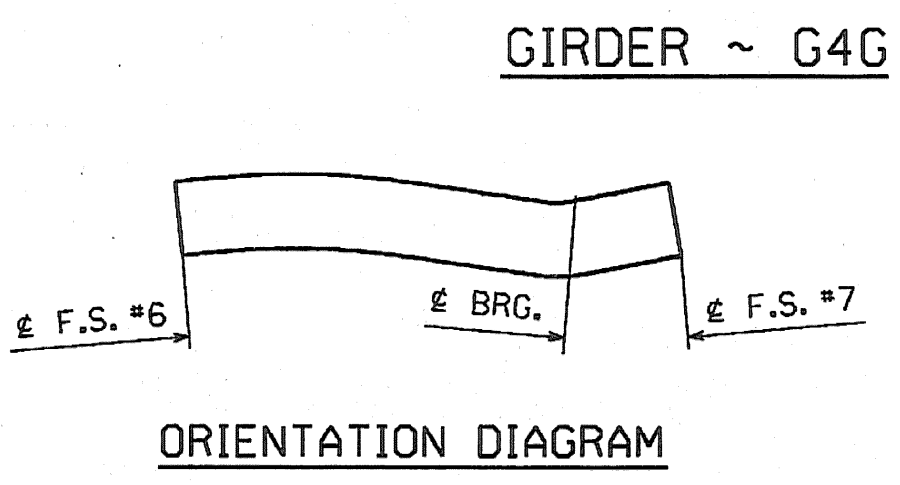
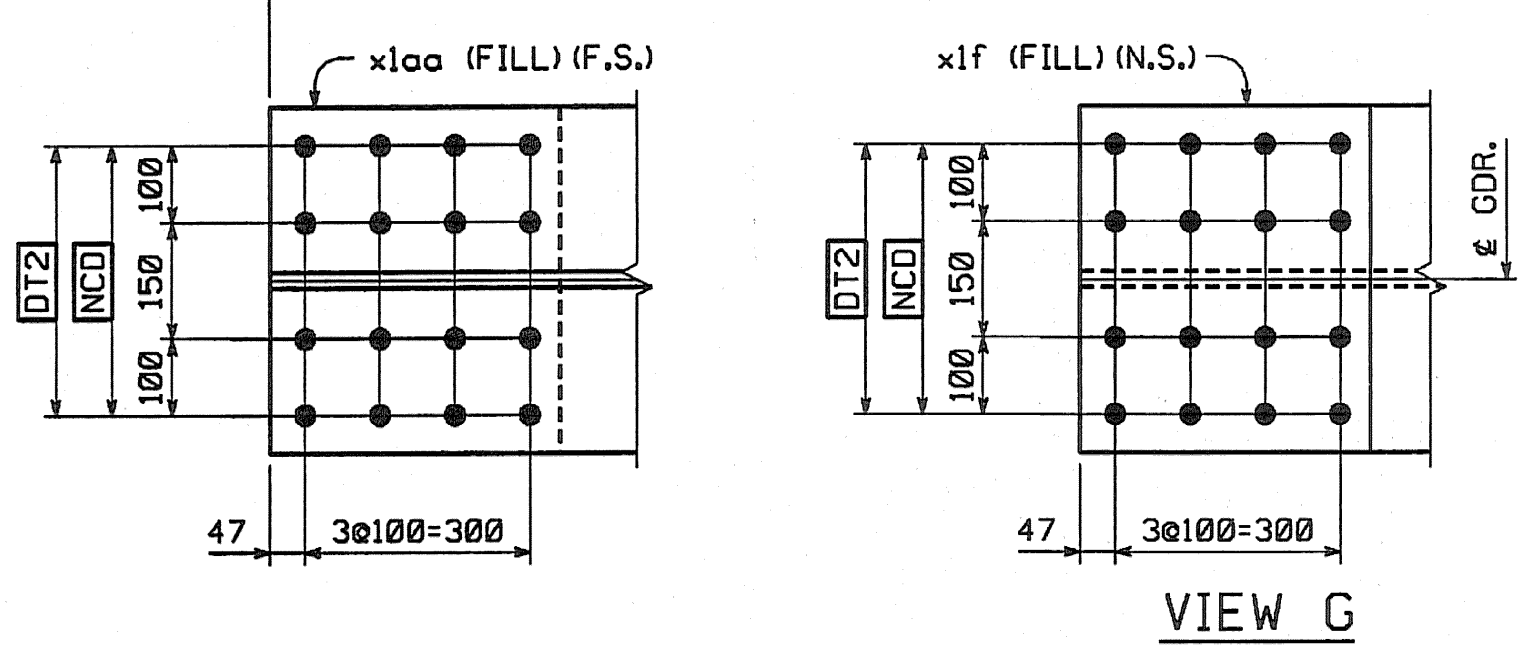
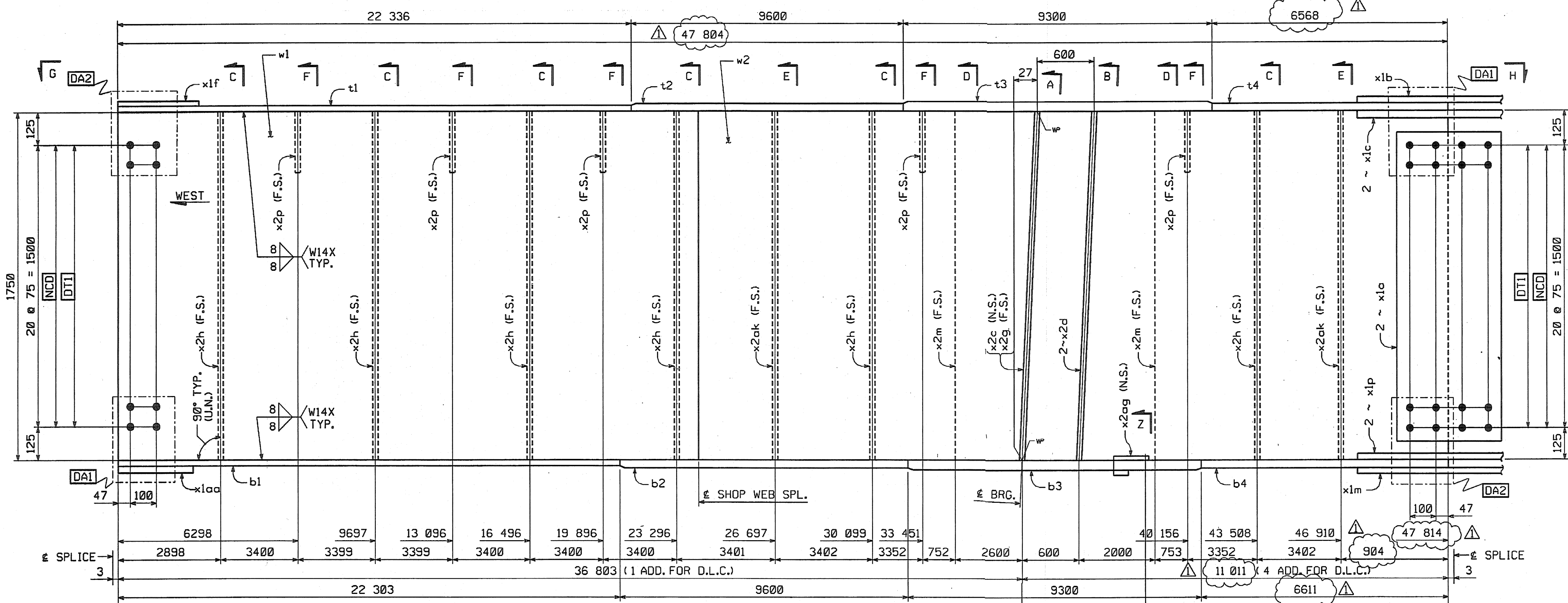
FED. ROAD DIV. NO.	STATE	FED. AID PROJ. NO.
	VT	

BILL OF MATERIAL

NO.	MARK	DESCRIPTION	LENGTH	REMARKS	GRP.	ITEM	SHIP. WT. KG. EA.
ONE	G4G	GIRDER					24 910
1	w1	PL 16 x 1750	23 811	(T)	3	6	5233.06
1	w2	PL 16 x 1750	24 044	(T)	4	1	5277.01
1	t1	PL 22 x 450	22 336	(T)	4	22	1736.84
1	t2	PL 40 x 450	9 600	(T)	4	8	4366.82
1	t3	PL 80 x 450	9 300	(T)	4	1	2627.88
1	t4	PL 40 x 450	6 669	(T)	4	12	928.89
1	b1	PL 22 x 450	22 303	(T)	4	23	1733.08
1	b2	PL 40 x 450	9 600	(T)	4	8	4366.82
1	b3	PL 80 x 450	9 300	(T)	4	1	2627.88
1	b4	PL 40 x 450	6 642	(T)	4	11	934.17
2	x1a	PL 12 x 1600	400	(T)	6	1	80.28
1	x1b	PL 14 x 450	790	(T)	6	6	39.86
2	x1c	PL 16 x 200	790	(T)	6	5	49.84
1	x1f	PL 10 x 450	392	FILL	6	7	13.85
1	x1m	PL 18 x 450	990	(T)	6	3	62.94
2	x1p	PL 20 x 200	990	(T)	6	2	94.88
1	x1aa	PL 10 x 450	392	FILL	6	7	13.85
1	x2c	PL 38 x 200	1 750		7	1	104.89
2	x2d	PL 38 x 200	1 750		7	1	104.89
1	x2g	PL 38 x 200	1 750		7	1	104.89
6	x2h	PL 12 x 180	1 750		7	4	29.67
2	x2m	PL 12 x 180	1 750		7	4	29.67
5	x2p	PL 14 x 180	310		7	3	6.13
2	x2ak	PL 12 x 180	1 750		7	4	29.67
1	x2ag	PL 6 x 130	301		7	5	1.84

TOTAL WEIGHT THIS SHEET: 24 908.34 kgs

* See Sheet 505112
 24 908.34 kgs
 21906.9 kg
 10/08-21-06
 JAP 8-22-06



SHOP NOTE

HOLES: 15.5
 BOLTS: NONE
 PAINT: NONE
 FOR GENERAL SHOP NOTES, SEE DWG. CNL.
 FOR WEB CAMBER DIAGRAM, SEE DWG. WC2.

SHOP DRAWING REVIEW

FOR THE CONSTRUCTION OF THE PROJECT, THE CONTRACTOR HAS REVIEWED THE SHOP DRAWING FOR CONFORMANCE WITH THE APPROVED BILL OF MATERIAL AND THE CONTRACT DOCUMENTS. THE CONTRACTOR HAS REVIEWED THE SHOP DRAWING FOR CONFORMANCE WITH THE APPROVED BILL OF MATERIAL AND THE CONTRACT DOCUMENTS. THE CONTRACTOR HAS REVIEWED THE SHOP DRAWING FOR CONFORMANCE WITH THE APPROVED BILL OF MATERIAL AND THE CONTRACT DOCUMENTS.

DATE: 11/20/04

NO.	REVISION	BY	DATE

INCREASE LENGTHS TO SATISFY REQUIREMENTS FOR LENGTH & MEAN TEMPERATURE OF 45°F. JSA 9/17/04

1770 Hempstead Road
 Lancaster, PA 17605-0008
 Phone 717/299-5211

HIGH STEEL STRUCTURES, INC.

A Division of High Industries, Inc.

GIRDER G4G

VT 78 OVER MISSISQUOI BAY, BRIDGE NO. 2
 VT 78 STA.10+970.425 TO STA.12+059.775

TOWNS OF ALBURG AND SWANTON

COUNTIES OF GRAND ISLE AND FRANKLIN

STATE OF VERMONT, AGENCY OF TRANSPORTATION

STATE CONTRACT OR REF. NO.: BRF-036-1(1)

CONTRACTOR: CIAMBRO CORPORATION

IN CHARGE: GLIDDEN (IH) MADE BY: ERS CHK'D. BY: CS DATE: 8-19-04

CONTRACT NUMBER: VT-04057-1 DRAWING NUMBER: 28 OF 112