

METRIC

1. ALL DIMENSIONS ARE IN MILLIMETERS UNLESS OTHERWISE NOTED.
2. ALL WEIGHTS ARE IN KILOGRAMS.

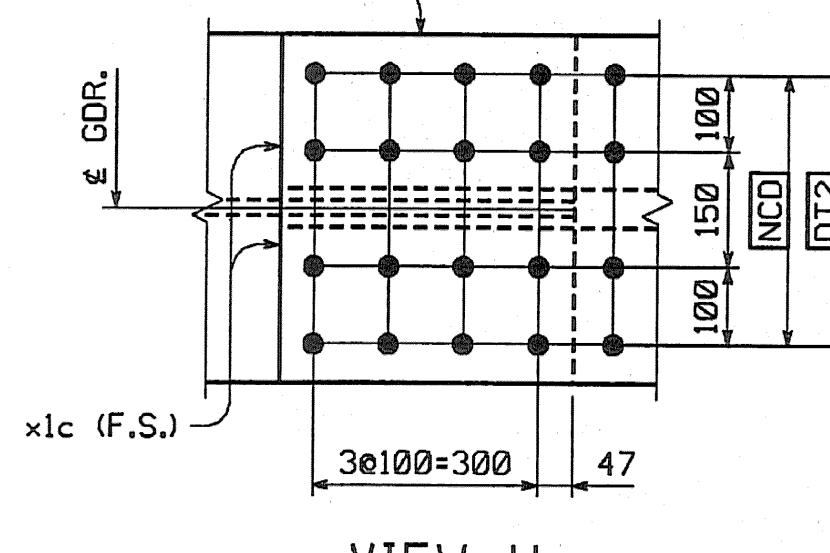
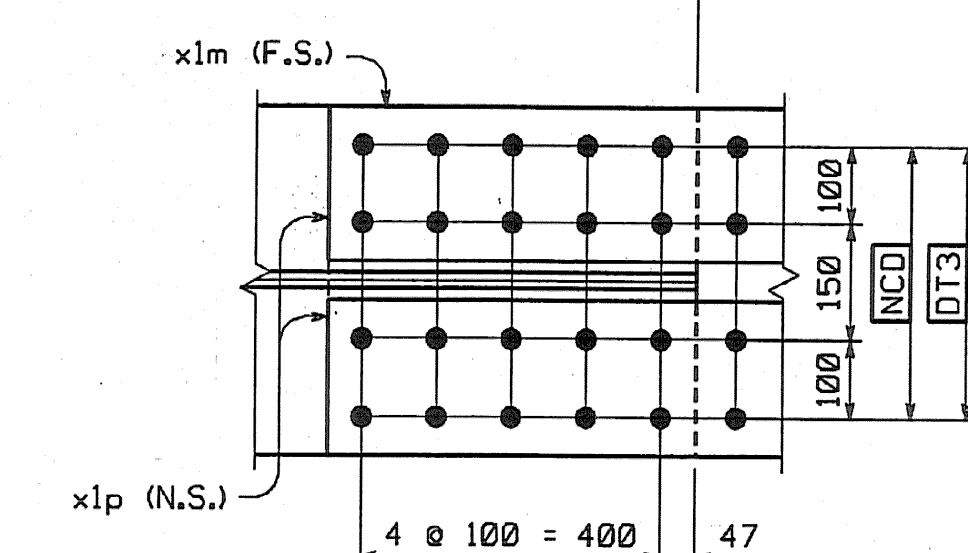
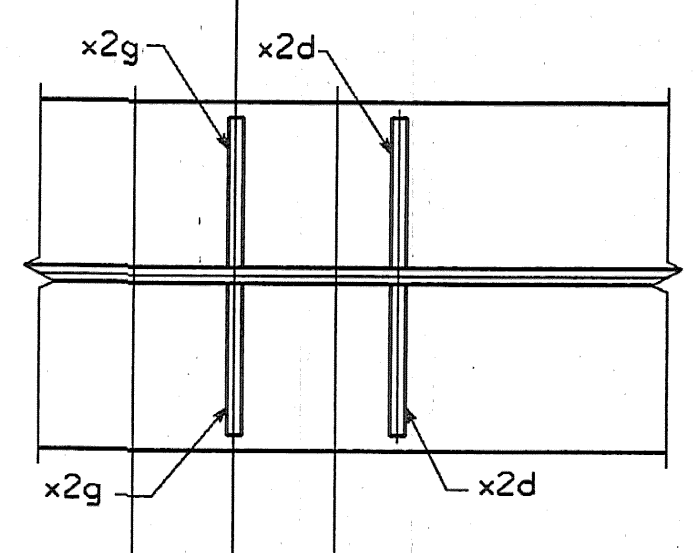
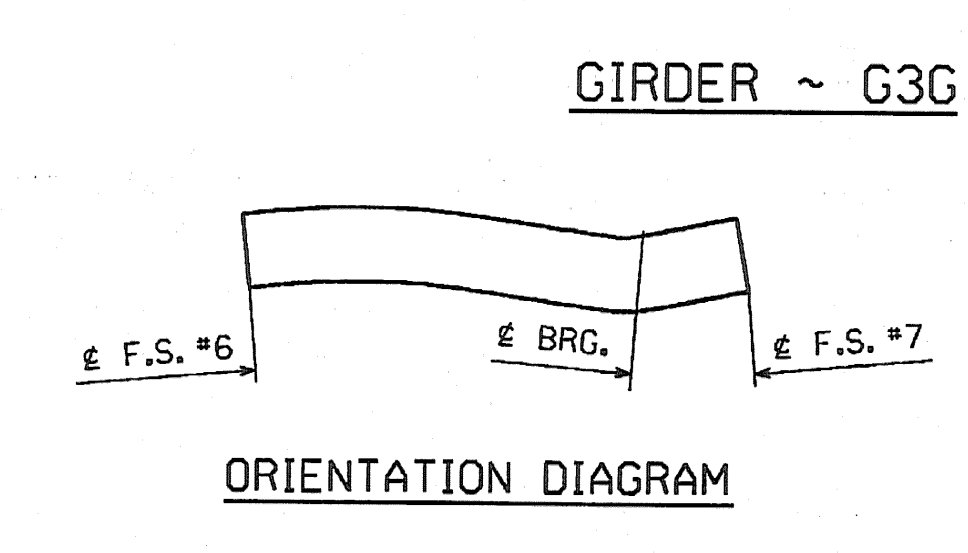
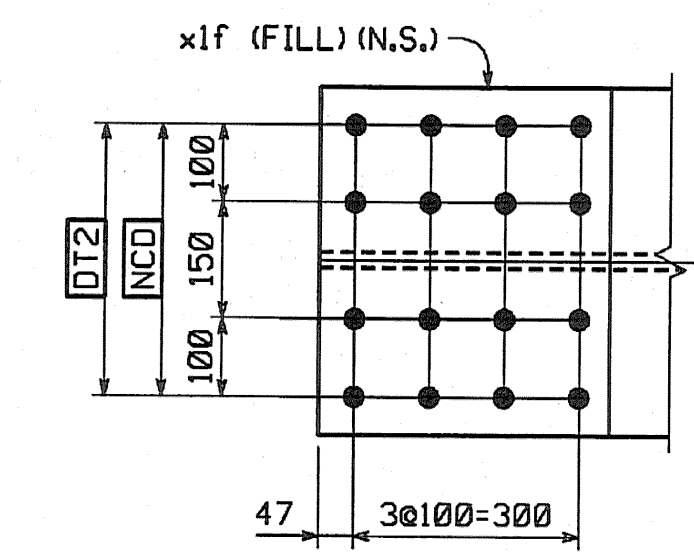
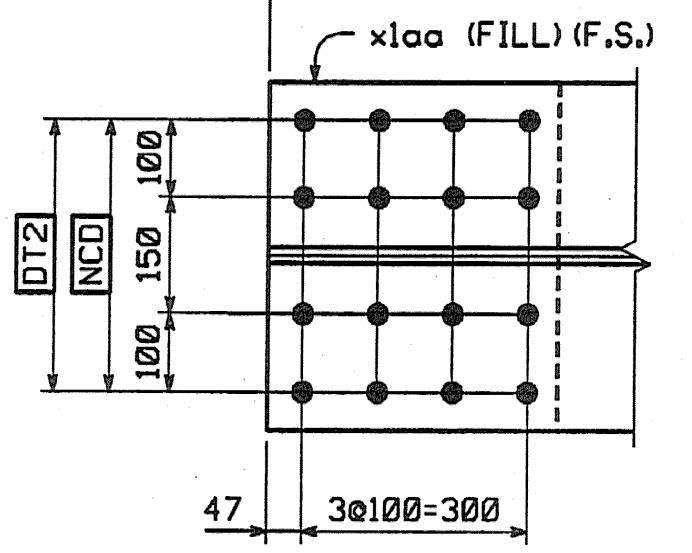
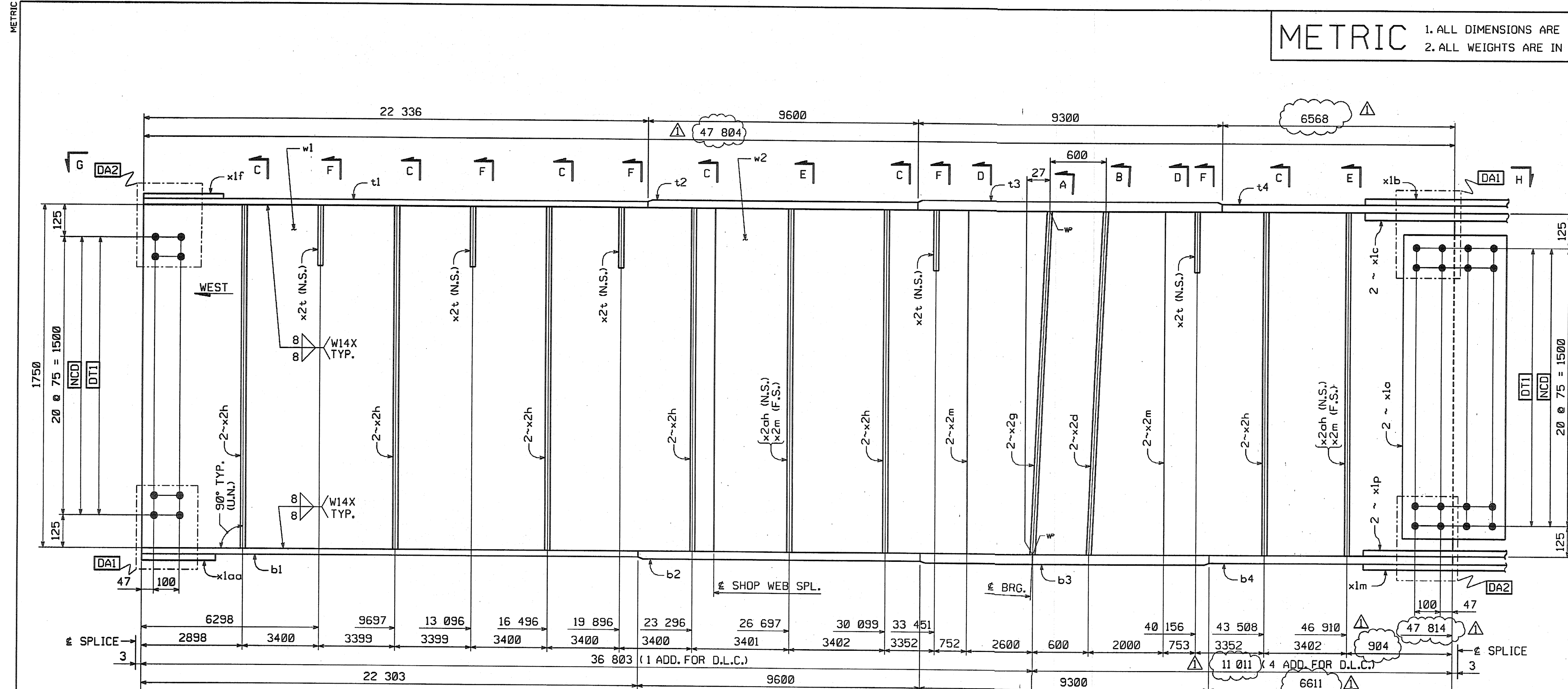
FED. ROAD DIV. NO.	STATE	FED. AID PROJ. NO.
	VT	

BILL OF MATERIAL

NO.	MARK	DESCRIPTION	LENGTH	REMARKS	GRP.	ITEM	SHIP WT. KG. EA.
ONE	G3G	GIRDER					25 210
1	w1	PL 16 x 1750	23 811	(T)	3	6	5233.06
1	t1	PL 22 x 450	22 336	(T)	4	22	1736.64
1	t2	PL 40 x 450	9 600	(T)	4	8	1356.32
1	t3	PL 80 x 450	9 300	(T)	4	1	2627.88
1	t4	PL 40 x 450	6 568	(T)	4	12	928.09
1	b1	PL 22 x 450	22 303	(T)	4	23	1738.08
1	b2	PL 40 x 450	9 600	(T)	4	8	1356.32
1	b3	PL 80 x 450	9 300	(T)	4	1	2627.88
1	b4	PL 40 x 450	6 611	(T)	4	11	934.17
2	x1a	PL 12 x 1600	400	(T)	6	1	60.28
1	x1b	PL 14 x 450	790	(T)	6	6	39.06
2	x1c	PL 16 x 200	790	(T)	6	5	19.84
1	x1f	PL 10 x 450	392	FILL	6	7	13.85
1	x1m	PL 18 x 450	990	(T)	6	3	62.94
2	x1p	PL 20 x 200	990	(T)	6	2	34.08
1	x1aa	PL 10 x 450	392	FILL	6	7	13.85
2	x2d	PL 38 x 200	1750		7	1	104.39
2	x2g	PL 38 x 200	1750		7	1	104.39
12	x2h	PL 12 x 180	1750		7	4	29.67
6	x2m	PL 12 x 180	1750		7	4	29.67
5	x2t	PL 14 x 180	310		7	3	6.13
2	x2ah	PL 12 x 180	1750		7	4	29.67
TOTAL WEIGHT THIS SHEET:							25 203.19 kgs

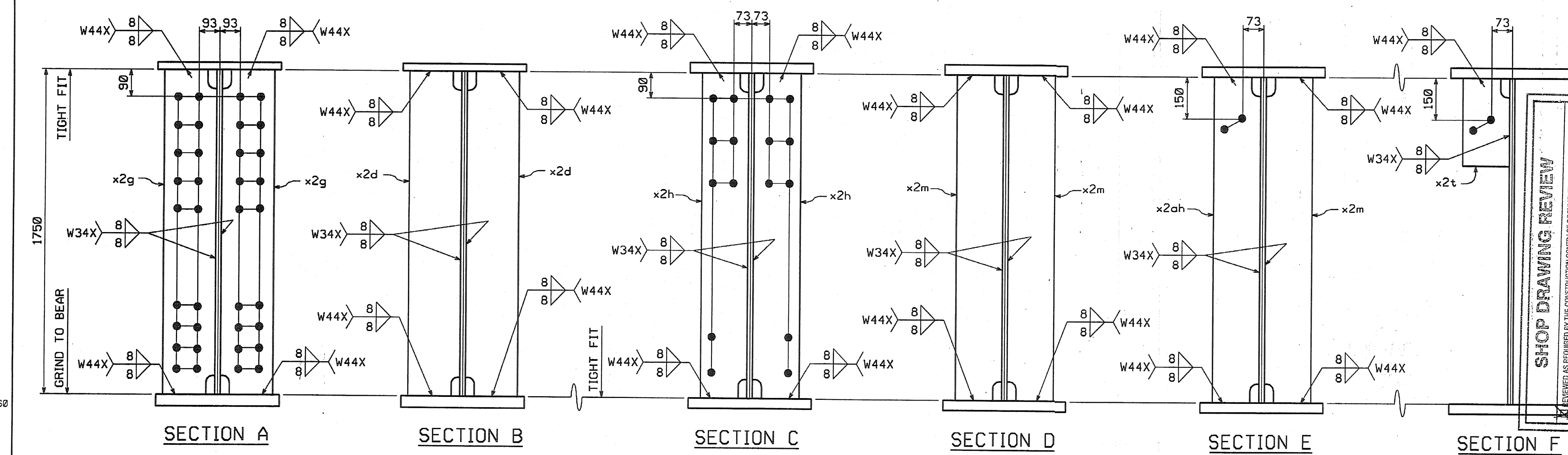
10 508.42
1235.84
1356.48
2628.18
928.06
1733.28
1356.48
2628.18
934.13
120.53
39.07
39.69
13.85
62.94
62.17
104.39
208.81
208.81
358.08
178.04
30.66
59.35

25 203.19 kgs
JMR 7-26-06
A.E.
8.2.06



SHOP NOTE

HOLES: 1 5/16"
BOLTS: NONE
PAINT: NONE
FOR GENERAL SHOP NOTES, SEE DWG. GNI.
FOR WEB CAMBER DIAGRAM, SEE DWG. WC2.



SHOP DRAWING REVIEW

REVIEWED AS REQUIRED BY THE CONSTRUCTION CONTRACT DOCUMENTS AND APPROVED, BUT NOT FOR CONFORMANCE TO THE DESIGN CONCEPT OF THE WORK, AND SUBJECT TO THE VARIATIONS AND REQUIREMENTS CONTAINED IN THE CONSTRUCTION CONTRACT DOCUMENTS.

DESIGNED BY: [Signature]

DATE: [Date]

INCH.	REVISION	BY	DATE
INCREASE LENGTHS TO SATISFY REQUIREMENTS FOR LENGTH @ MEAN TEMPERATURE OF 45°F.			
JSA 9/17/04			
HIGH STEEL STRUCTURES, INC. 1770 Hempstead Road, Lancaster, PA 17603-0008 Phone 717/299-5211			
GIRDER G3G			
VT 78 OVER MISSISSQUOI BAY, BRIDGE NO. 2			
VT 78 STA.10+970.425 TO STA.12+059.775			
TOWNS OF ALBURG AND SWANTON			
COUNTIES OF GRAND ISLE AND FRANKLIN			
STATE OF VERMONT, AGENCY OF TRANSPORTATION			
STATE CONTRACT OR REF. NO. BRF-036-1(1)			
CONTRACTOR CIAMBRO CORPORATION			
IN CHARGE: GLIDDEN (IH)	MADE BY: ERS	CHK'D BY: CS	DATE: 8-19-04
CONTRACT NUMBER: VT-04057-1		DRAWING NUMBER: 27 OF 112	

BY: dprinter
PLOTTED: 9/20/2004 14:52:24 PM

CODE:30