

METRIC

1. ALL DIMENSIONS ARE IN MILLIMETERS UNLESS OTHERWISE NOTED.  
2. ALL WEIGHTS ARE IN KILOGRAMS.

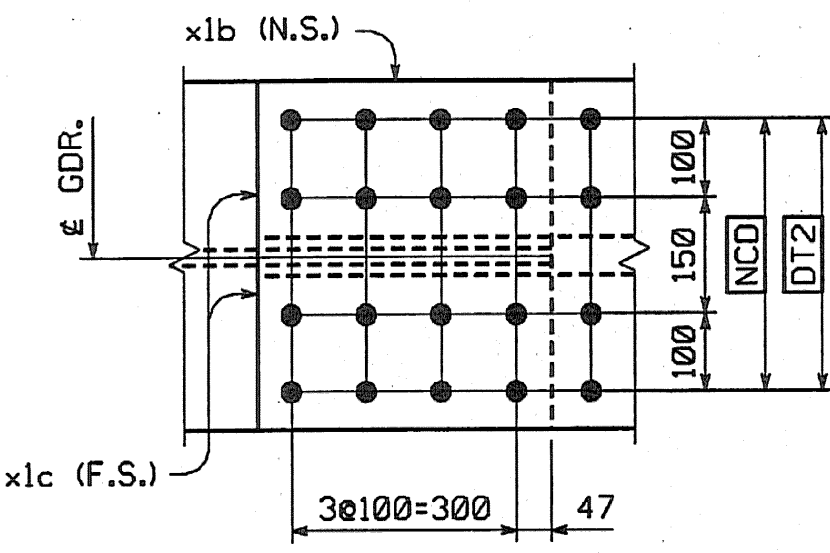
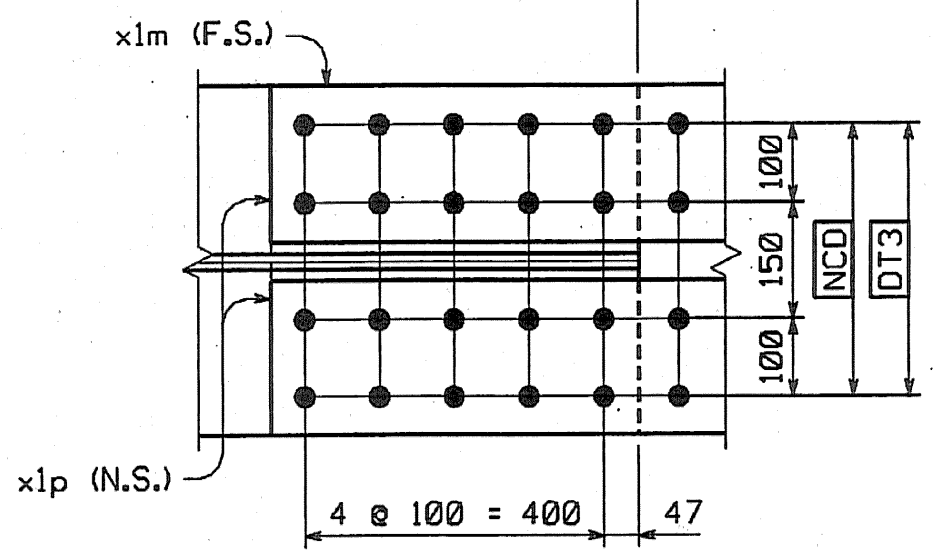
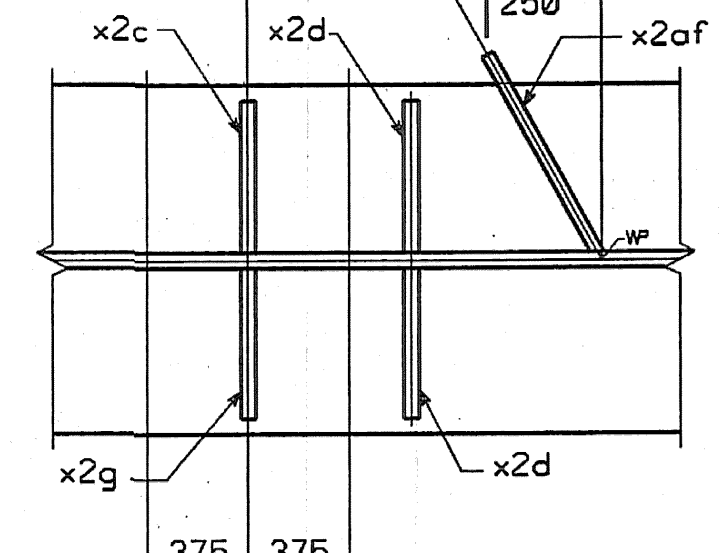
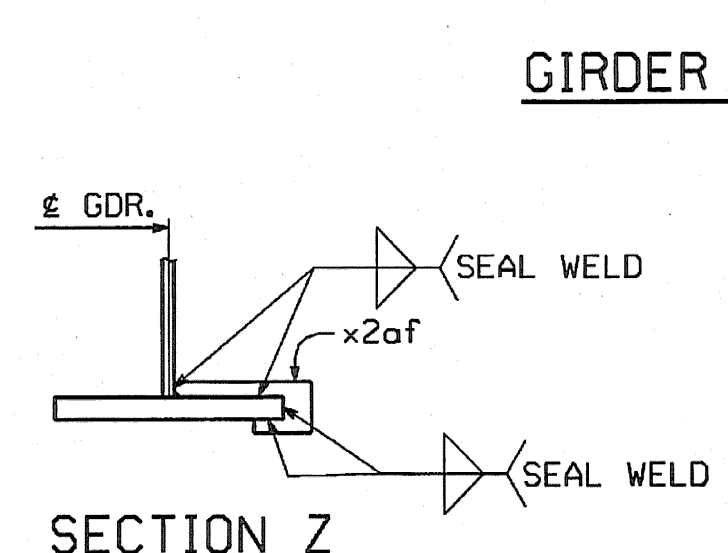
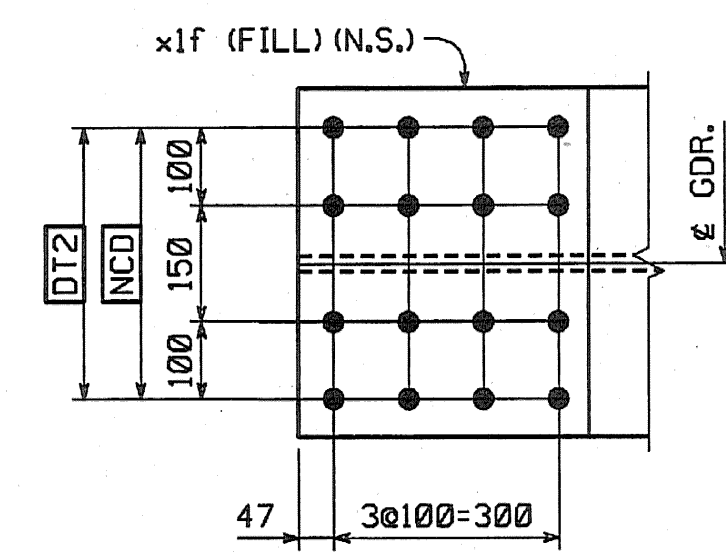
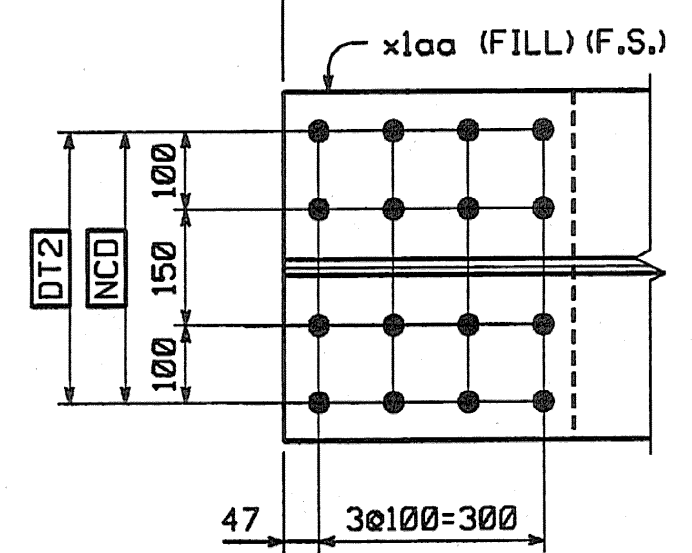
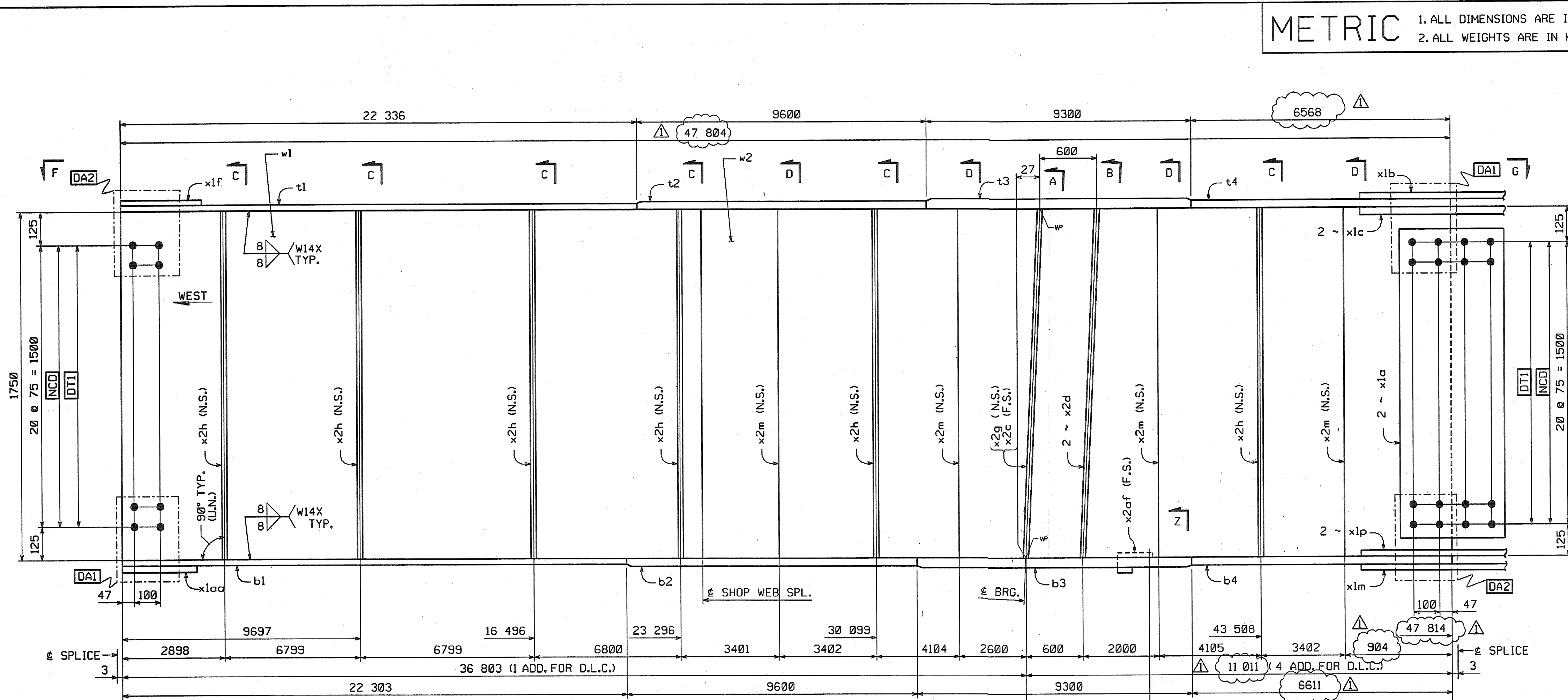
FED. ROAD DIV. NO.	STATE	FED. AID PROJ. NO.
	VT	

BILL OF MATERIAL

NO.	MARK	DESCRIPTION	LENGTH	REMARKS	GRP.	ITEM	SHIP. WT. KG. EA.
ONE	G1G	GIRDER					24 880
1	w1	PL 16 x 1750	23 811 (T)		3	6	5233.06
1	w2	PL 16 x 1750	24 011 (T)	47 804	3	1	5277.01
1	t1	PL 22 x 450	22 336 (T)		4	22	1735.64
1	t2	PL 40 x 450	9 600 (T)		4	8	1356.32
1	t3	PL 80 x 450	9 300 (T)		4	1	2627.88
1	t4	PL 40 x 450	6 569 (T)	6568	4	12	928.09
1	b1	PL 22 x 450	22 303 (T)		4	23	1733.08
1	b2	PL 40 x 450	9 600 (T)		4	8	1356.32
1	b3	PL 80 x 450	9 300 (T)		4	1	2627.88
1	b4	PL 40 x 450	6 612 (T)	6611	4	11	934.17
2	x1a	PL 12 x 1600	400 (T)		6	1	60.28
1	x1b	PL 14 x 450	790 (T)		6	6	39.06
2	x1c	PL 16 x 200	790 (T)		6	5	19.84
1	x1f	PL 10 x 450	392 FILL		6	7	13.85
1	x1m	PL 18 x 450	890 (T)		6	3	62.84
2	x1p	PL 20 x 200	990 (T)		6	2	31.08
1	x1aa	PL 10 x 450	392 FILL		6	7	13.85
1	x2c	PL 38 x 200	1 750		7	1	104.39
2	x2d	PL 38 x 200	1 750		7	1	104.39
1	x2g	PL 38 x 200	1 750		7	1	104.39
6	x2h	PL 12 x 180	1 750		7	4	29.67
4	x2m	PL 12 x 180	1 750		7	4	29.67
1	x2af	PL 6 x 490	301	84150 mm <sup>2</sup>	7	5	1.84

TOTAL WEIGHT THIS SHEET: 24 877.68 kgs

\*See Sheet S-112 (24876.23 kgs) JME 7-26-06



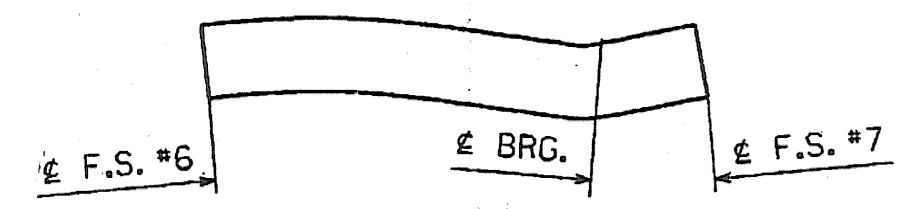
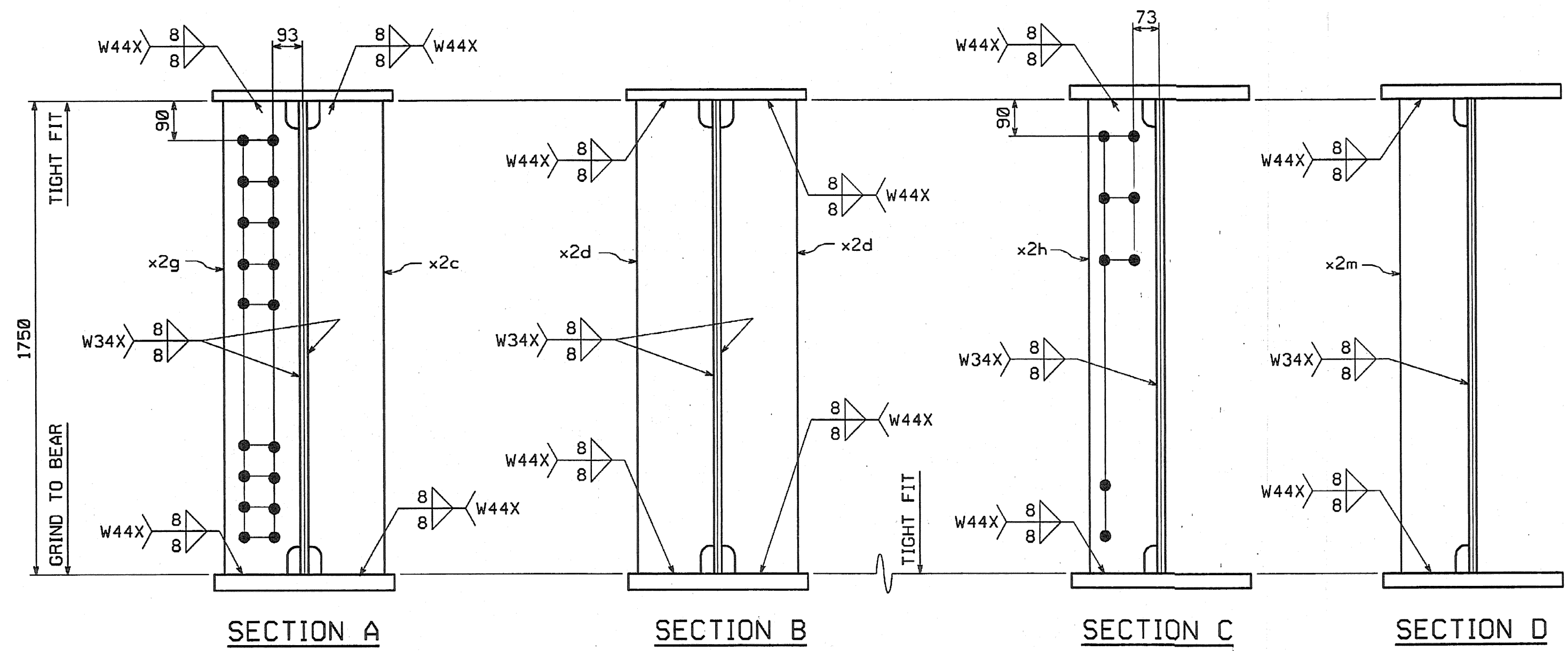
**VIEW G SHOP DRAWING REVIEW**

REVIEWED AS REQUIRED BY THE CONSTRUCTION CONTRACT DOCUMENTS AND APPROVED, BUT ONLY FOR CONFORMANCE TO THE DESIGN CONCEPT OF THE WORK, AND SUBJECT TO FURTHER LIMITATIONS AND REQUIREMENTS CONTAINED IN THE CONSTRUCTION CONTRACT DOCUMENTS.

REJECTED  REVISE AND RESUBMIT  FURNISH AS CORRECTED

CORRECTIONS OR COMMENTS MADE ON THE SHOP DRAWINGS DURING THIS REVIEW DO NOT RELIEVE CONTRACTOR FROM COMPLIANCE WITH REQUIREMENTS OF THE DRAWINGS AND SPECIFICATIONS. THIS CHECK IS ONLY FOR REVIEW OF GENERAL CONFORMANCE WITH THE DESIGN CONCEPT OF THE PROJECT AND GENERAL COMPLIANCE WITH THE INFORMATION GIVEN IN THE CONTRACT DOCUMENTS. THE CONTRACTOR IS RESPONSIBLE FOR: COMPARING AND CORRELATING ALL QUANTITIES AND DIMENSIONS; SELECTING FABRICATION PROCESSES AND TECHNIQUES OF CONSTRUCTION; COORDINATING HIS WORK WITH THAT OF ALL OTHER TRADES; AND PERFORMING HIS WORK IN A SAFE AND SATISFACTORY MANNER.

Reviewed By: *[Signature]*  
Date: 11/16/04



**SHOP NOTE**

HOLES: 15/16"

BOLTS: NONE

PAINT: NONE

FOR GENERAL SHOP NOTES, SEE DWG. GNI.

FOR WEB CAMBER DIAGRAM, SEE DWG. WC2.

INCREASE LENGTHS TO SATISFY REQUIREMENTS FOR LENGTH @ MEAN TEMPERATURE OF 45°F. JSA 9/17/04

NO.	REVISION	BY	DATE
-----	----------	----	------

1770 Hempstead Road  
Lancaster, PA 17605-0008  
Phone 717/299-5211

**HIGH STEEL STRUCTURES, INC.**  
A Division of High Industries, Inc.

GIRDER G1G

VT 78 OVER MISSISSQUOI BAY, BRIDGE NO. 2

VT 78 STA.10+970.425 TO STA.12+059.775

TOWNS OF ALBURG AND SWANTON

COUNTIES OF GRAND ISLE AND FRANKLIN

STATE OF VERMONT, AGENCY OF TRANSPORTATION

STATE CONTRACT OR REF. NO. BRF-036-1(1)

CONTRACTOR CIAMBRO CORPORATION

IN CHARGE: GLIDDEN (IH) MADE BY: SSJ CHK'D BY: CS DATE: 8-17-04

CONTRACT NUMBER: VT-04057-1 DRAWING NUMBER: 25 OF 112

BY: dhamer PLOTTED: 9/28/2004 10:00 PM

CODE:30